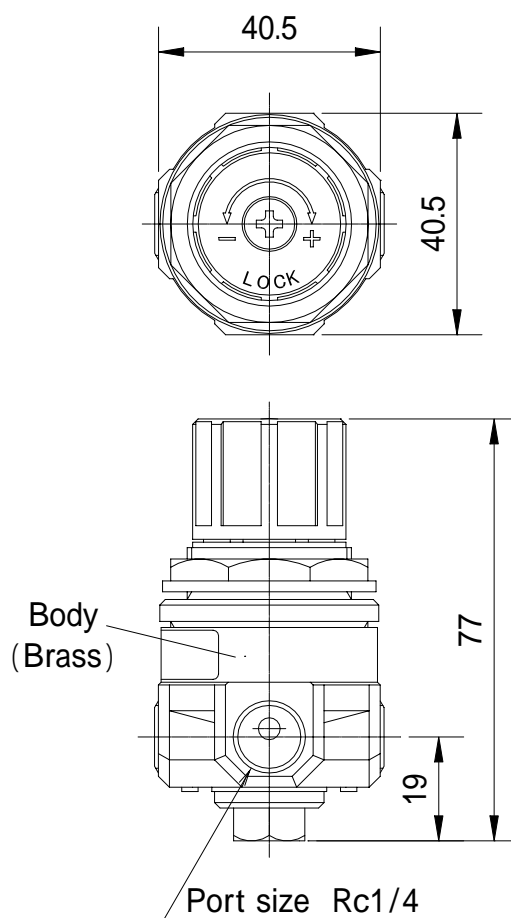


## Water Regulator

### WR110-02-X224

SMC CORPORATION  
1-16-4 Shimbashi, Minato-ku  
Tokyo 105-0004, JAPAN  
URL: <http://www.smcworld.com>

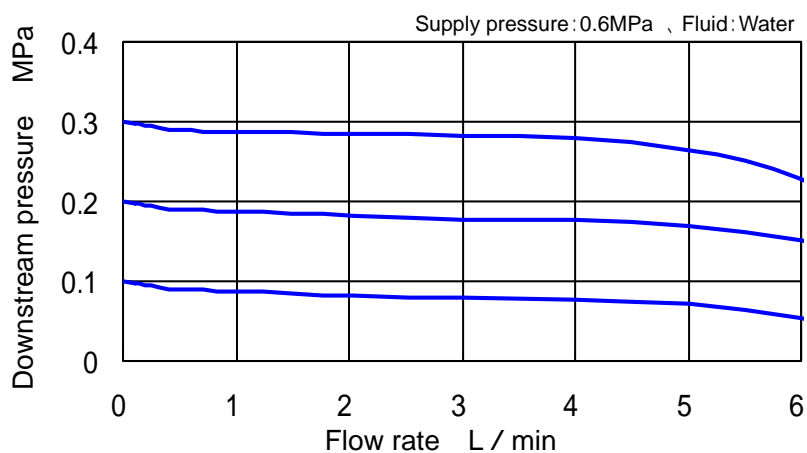
Feature1 : Use Fluid: Water



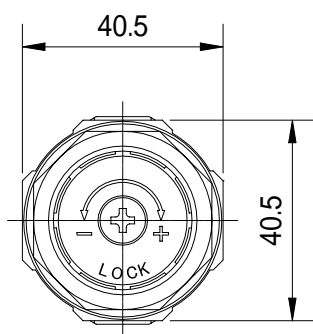
## Specifications

Model	WR110-02-X224
Port size	Rc 1/4
Fluid	WATER
Proof pressure	1.72MPa
Max. operating pressure	0.8MPa
Set pressure range	0.08 ~ 0.39MPa
Ambient and fluid temperature	-5 ~ 60°C(NON-freezing)
Pressure gauge port size	Rc 1/4

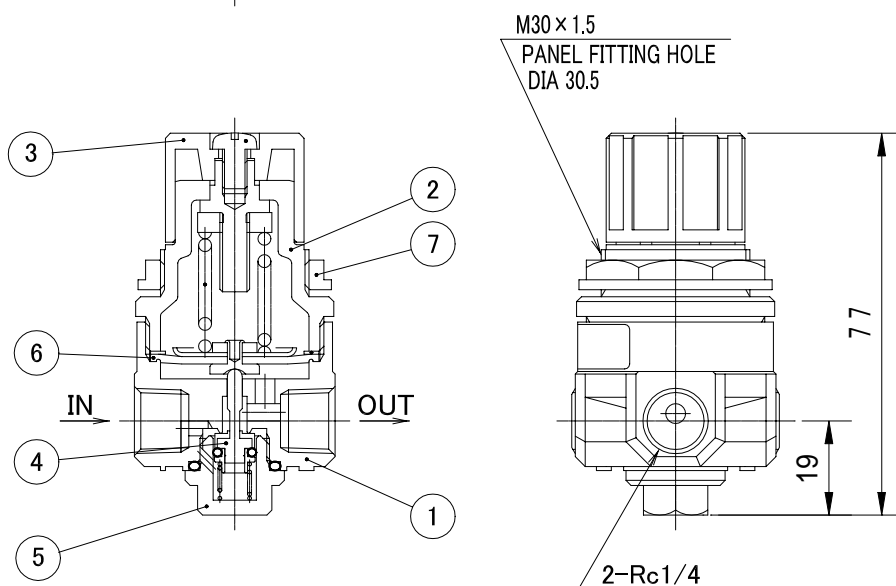
# Flow Characteristics



# Construction and Dimensions: mm



NO.	Description	Material
	Body	Brass
	Bonnet	Nylon
	Handle	ABS
	Valve ass'y	Stainless steel · NBR
	Valve Guide	Brass
	Diaphragm ass'y	NBR · Stainless steel
	Set Nut	ZDC(Black zinc chromate plated)



**⚠ Caution:** To ensure the safest possible operation of this product, please be sure to read thoroughly the "Safety Instructions" in our "Best Pneumatics" general catalog before use.