

Blow Gun

Using grease for food machines

VMG***-**-**-X7

SMC CORPORATION
1-16-4 Shimbashi, Minato-ku
Tokyo 105-0004, JAPAN
URL: <http://www.smcworld.com>

Feature: ^{*)} Grease for food processing machines is applied to wetted parts (sealing parts).

*) Grease meets NSF (USDA) H1 standards.

Specifications (same as those of standard VMG)

Body color	Urban white or Dark blue
Fluid	Air
Operating pressure range	0~1MPa
Proof pressure	1.5MPa
Ambient and fluid temperature	-5~60°C (with no condensation)
Effective area	30mm ² (without nozzle)
Nozzle port size	Rc1/4
Port size	Rc·NPT·G 1/4, 3/8
Piping entry	Bottom or Top
Operational force (when the valve is fully open)	7N
Weight	180g



How to Order

VMG 1 1 W [] 03 01 X7

- **Blow gun**
Standard type
- **Series**
1 Resin body lever type
- **Piping entry**
1 Bottom
2 Top
- **Body color**
W Urban white
BU Dark blue
- **Piping connection type**
Nil Rc
N NPT
F G
- **Nozzle**
Using grease for food machines
- **Connection size**

Type	Nozzle model	Nozzle size
Nil	Without nozzle	
01	KN-R02-100	ø1
02	KN-R02-150	ø1.5
03	KN-R02-200	ø2
04	KN-R02-250	ø2.5
11	KNH-R02-100	ø1
12	KNH-R02-150	ø1.5
13	KNH-R02-200	ø2
21	KNS-R02-075-4	ø0.75 x 4
22	KNS-R02-090-8	ø0.9 x 8
23	KNS-R02-100-4	ø1 x 4
24	KNS-R02-110-8	ø1.1 x 8
31	Length 300mm	KNL3-06-150
32	Length 300mm	KNL3-06-200
33	Length 600mm	KNL6-06-150
34	Length 600mm	KNL6-06-200

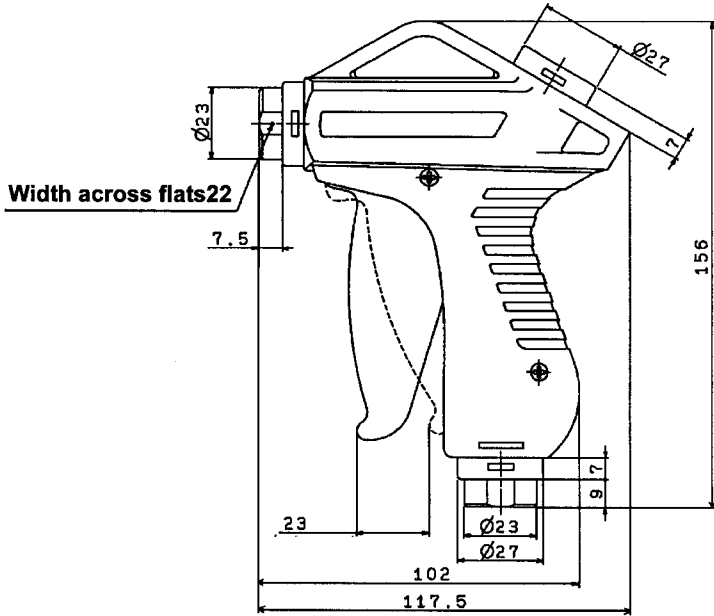
Note 1) One piece of H06-02 self-align fitting is attached.
When a copper extension nozzle is ordered separately, a self-align fitting will also be required for connection. Order one with the above part number in addition to the nozzle.

Piping connection system	Size and part no.
02	Screw-in type Port size 1/4
03	Screw-in type Port size 3/8
11	With S coupler plug ^{Note 1)} Plug part no. KK4P-02MS

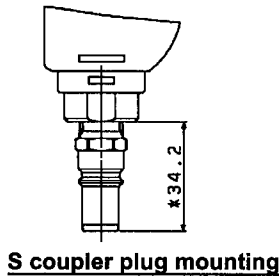
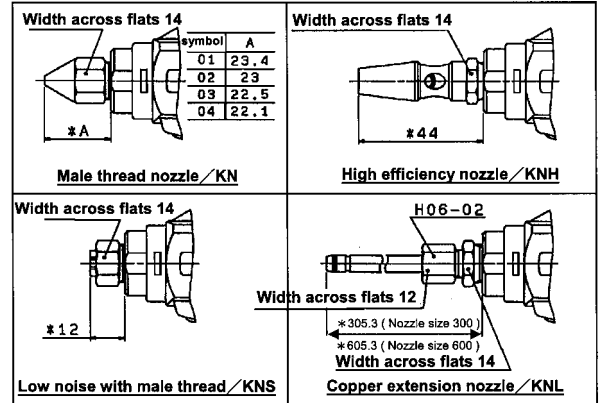
Note 1) In case of a type with an S coupler plug, specify no symbol (Rc) for the piping connection type. The size is Rc 1/4.

Dimensions: mm

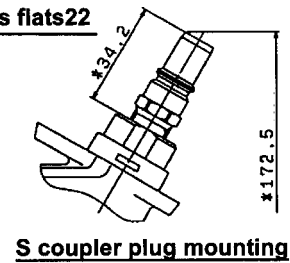
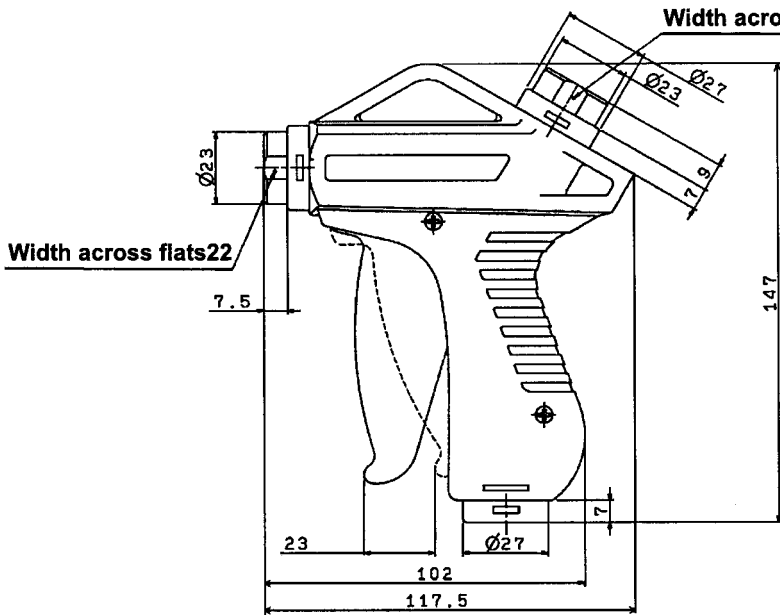
VMG11 / Piping entry: Bottom



Nozzle mounting size



VMG11 / Piping entry: Top



*) Reference dimensions after installation

⚠ Caution: To ensure the safest possible operation of this product, please be sure to read thoroughly the "Safety Instructions" in our "Best Pneumatics" general catalog before use.