



Heat-Resistant Cylinder with Auto Switch

MGPM Series: up to 150°C

SMC CORPORATION
1-16-4 Shimbashi, Minato-ku
Tokyo 105-8659, JAPAN
URL: <http://www.smcworld.com>

Feature: Heat-resistant type (up to 150°C) of compact cylinder with guide/MGP Series with mounting rail for heat-resistant solid state auto switch (D-F7NJ)

specification

Cylinder specification / MGPM Series

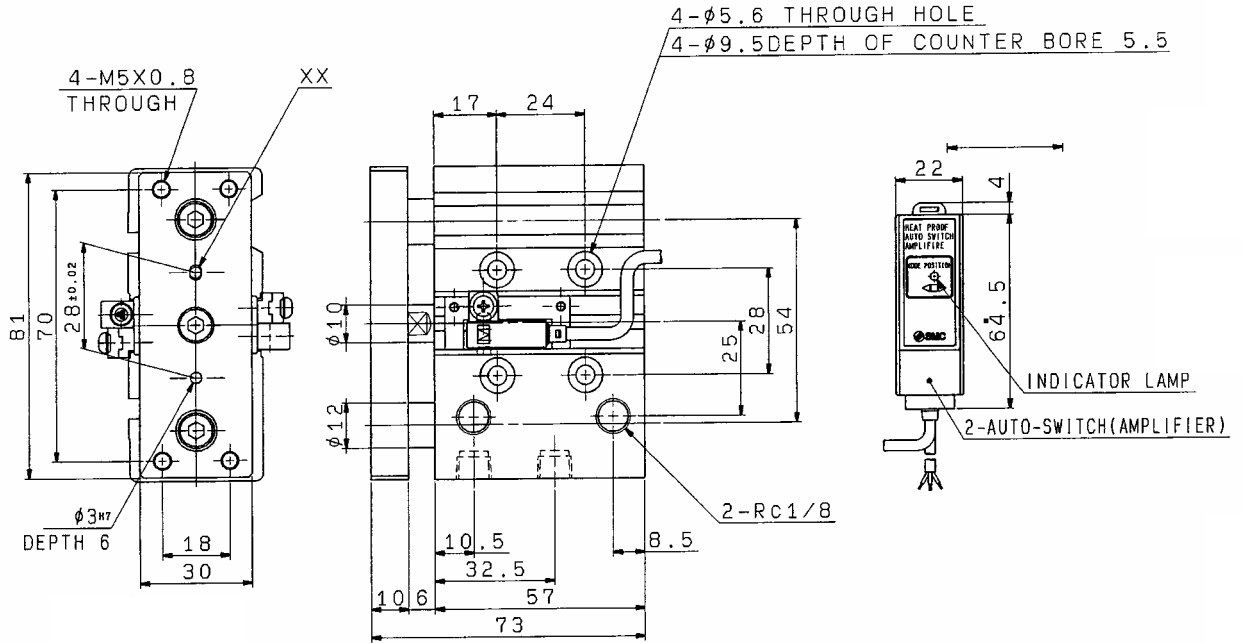
Model	MGPM20-T5524-20	MGPM20-T5544-150	MGPM25-T5435-100	MGPM32-T5486-50	MGPM50-S2498-25	MGPM63-T5356-25
Bore size	20mm	20mm	25mm	32mm	50mm	63mm
Stroke	20mm	150mm	100mm	50mm	25mm	25mm
Max. operating pressure	1.0MPa					
Ambient and fluid temperature	0 ~ 150 (No freezing)					
Cushion	Rubber cushion					

Auto Switch specification (D-F7NJL)

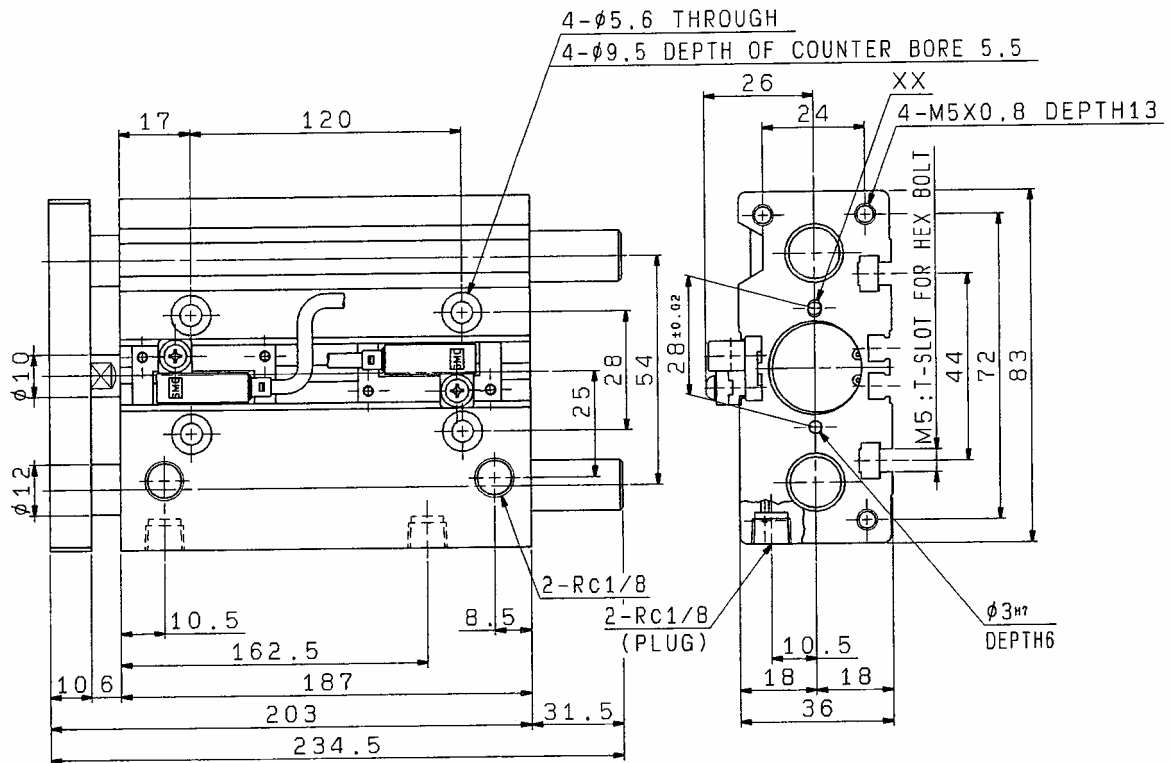
Power source	DC24V (DC20 ~ 26V)
Current consumption	25mA or less
Load voltage	DC28V or less
Load current	40mA or less
Internal voltage drop	0.8V or less
Leak current	100 μ mA or less
Response time	1ms or less
Impact resistance	Sensor unit: 1000m/s ² Amplifier: 300 m/s ²
Ambient temperature	Sensor unit: 0 ~ 150° C Amplifier: 0 ~ 60° C
Indicator lamp (Amplifier)	Operation range: Red LED. Most sensitive range: Green LED.
Enclosure	Sensor: IEC529 Standard IP63 Amplifier: IEC529 Standard IP65
Wire length	3m

Construction and Dimensions : mm

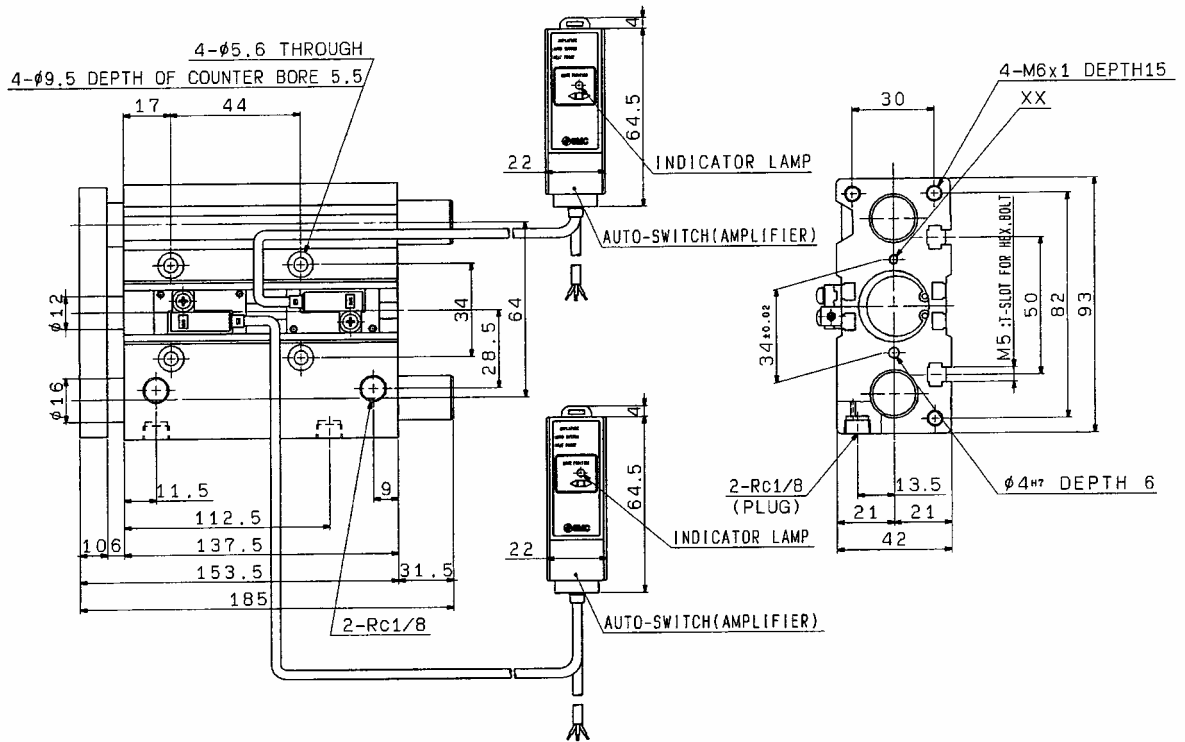
· MGPM20-T5524-20



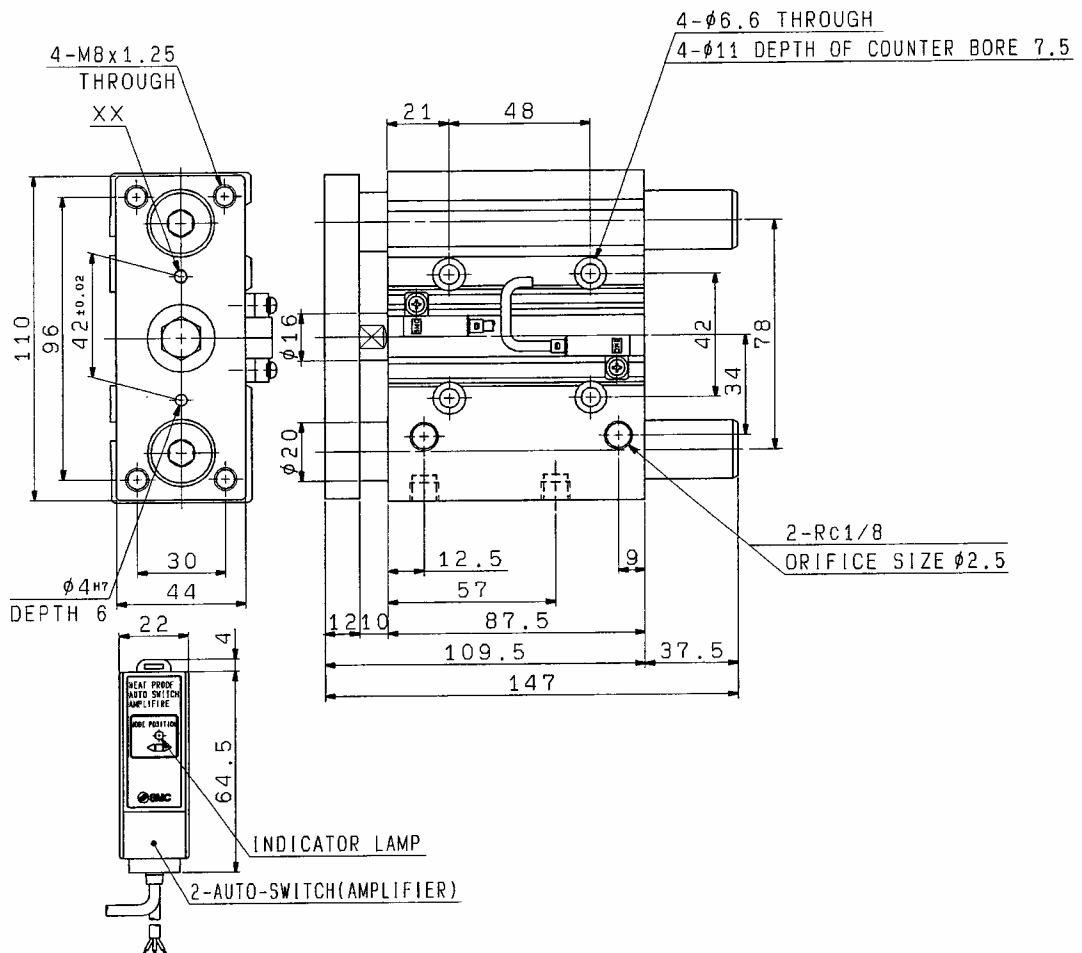
· MGPM20-T5544-150



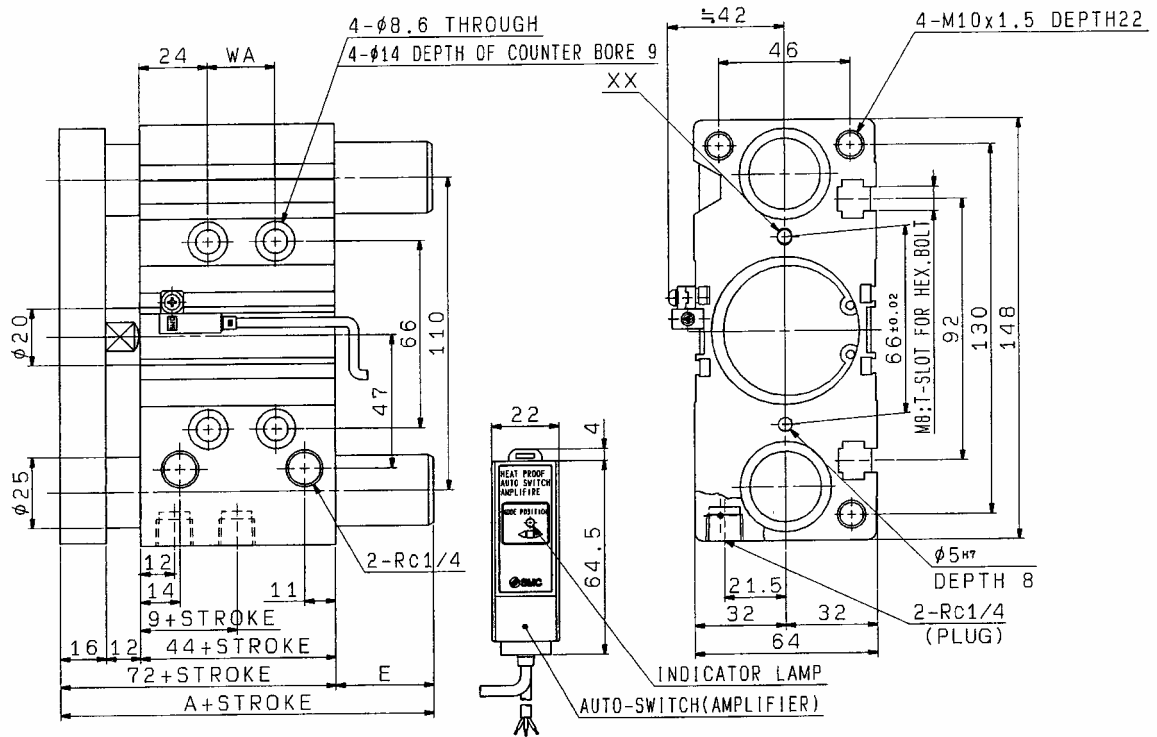
· MGPM25-T5435-100



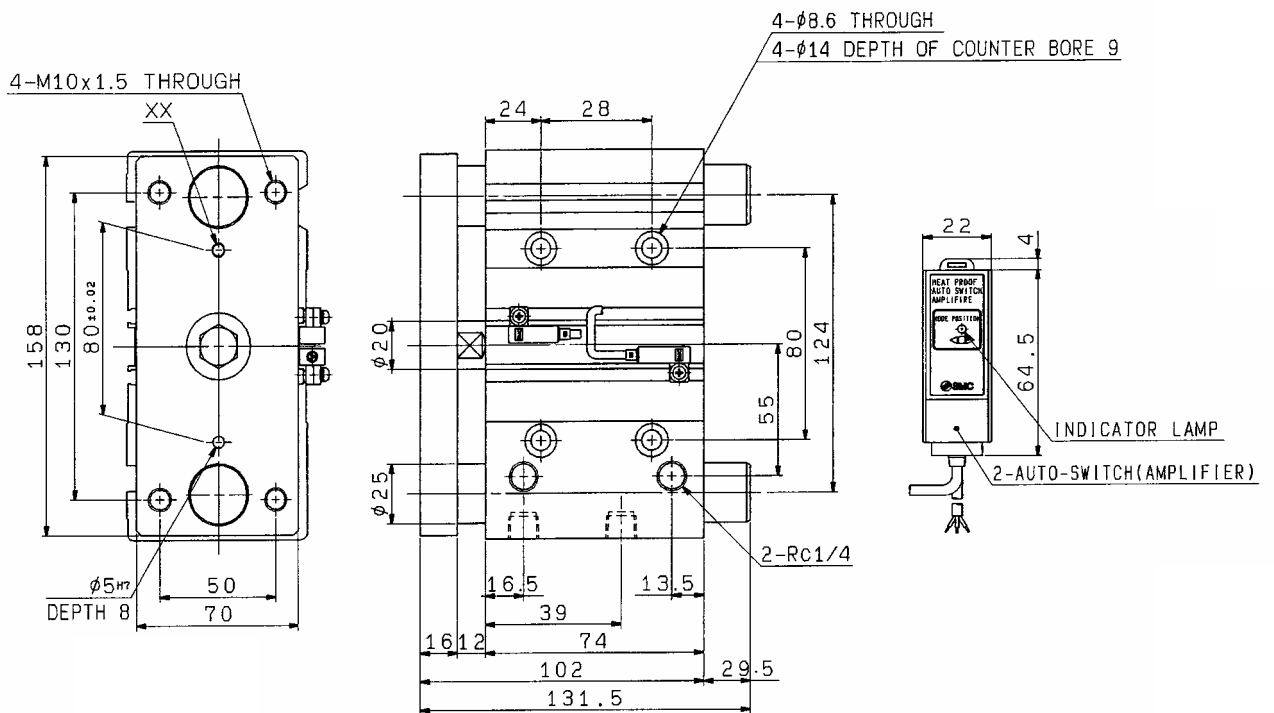
· MGPM32-T5486-50



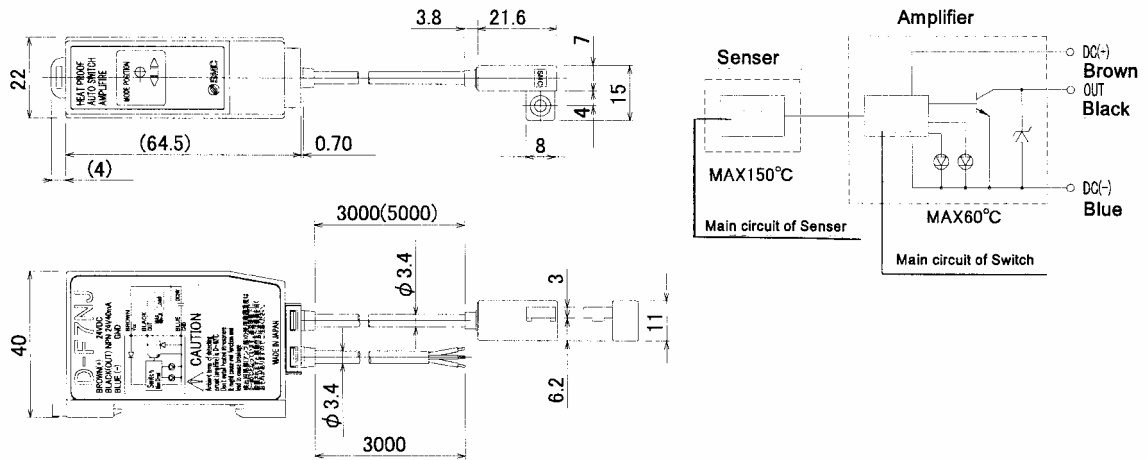
· MGPM50-S2498-25



· MGPM63-T5356-25



Heat-Resistant Auto Switch



How to mount DIN rail

Hook the claw at the bottom of the body onto DIN rail, and press down in the direction of the arrow to attach as shown in the figure.

Hook the claw at the bottom of the body onto DIN rail, and press down in the direction of the arrow to attach as shown in the figure.

Note 1: DIN rail is required to mount the auto switch amplifiers.

Please ask your SMC sales representative for details.

Note 2: Auto switches will be packaged together with cylinders (not assembled).



Caution: To ensure the safest possible operation of this product, please be sure to read thoroughly the "Safety instructions" in our "Best Pneumatics" general catalog before use.