

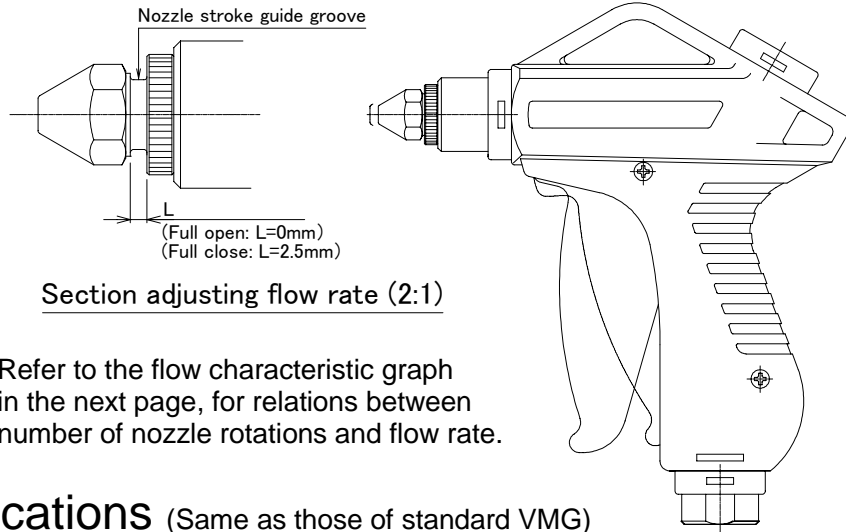


Blow Gun with Flow Rate Adjusting Nozzle

VMG-X4

SMC CORPORATION
1-16-4 Shimbashi, Minato-ku
Tokyo 105-0004, JAPAN
URL: <http://www.smcworld.com>

Feature 1: Attached nozzle for adjusting air blow flow rate.



Specifications (Same as those of standard VMG)

Model	VMG1***-**-03-X4
Fluid	Air
Operating pressure range	0 to 1.0MPa
Proof pressure	1.5MPa
Ambient and fluid temperature	-5 to 60°C (With no condensation)
Port size	Rc, NPT, G: 1/4, 3/8
Piping entry	Top, Bottom
Weight	200g
Operation force (When the valve is fully open)	7N

How to Order

VMG1 2 W - 02 - 03 - X4

Piping entry

1	Bottom
2	Top

Body color

W	Urban white
BU	Dark blue

Piping connection type

Nil	Rc
N	NPT
F	G

Adjusting flow rate nozzle
(Nozzle size: Ø2mm)

Type of nozzle

03	Male thread nozzle (Nozzle size: Ø2mm)
----	--

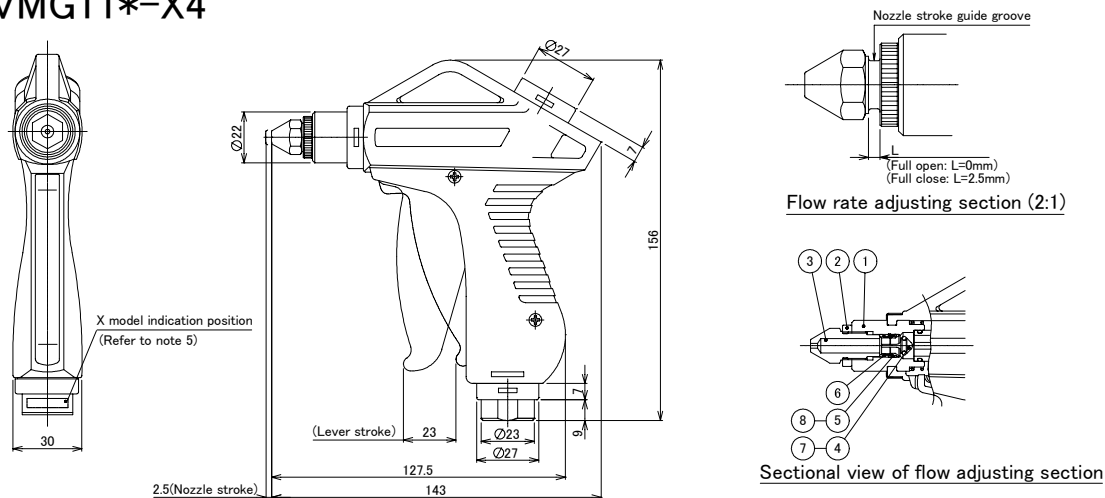
Piping connection size

02	1/4
03	3/8
11	With S coupler plug (*1)

*1) S coupler plug, specify no symbol (Rc) for the piping connection type. The size is Rc1/4.

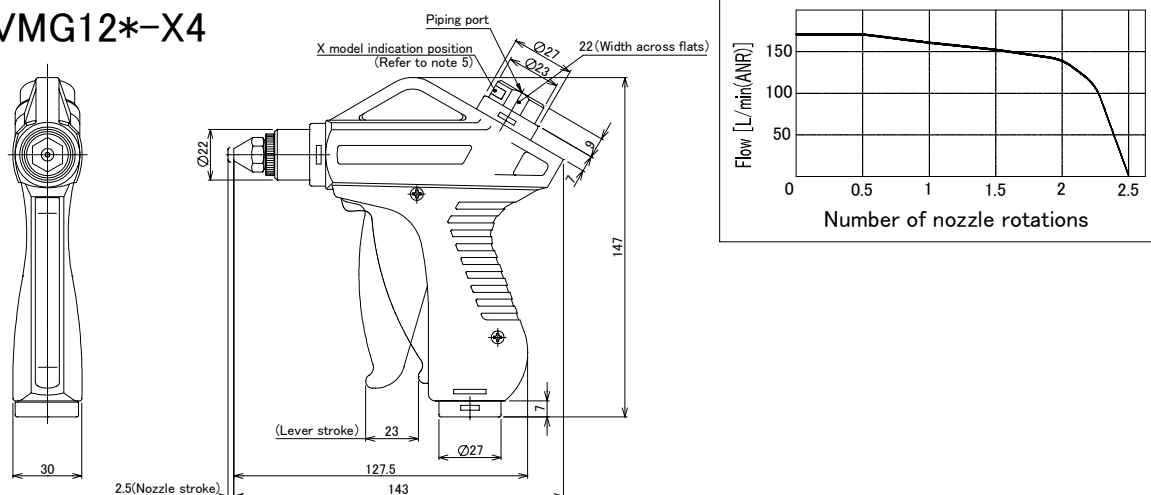
Dimensions: mm

VMG11*-X4



Flow characteristics (Operation pressure: 0.5MPa)

VMG12*-X4



Nozzle section, parts list

No.	Description	Material	Qty.	Note
1	Nozzle holder	Aluminum alloy	1	Anodized
2	Lock nut	Brass	1	Electroless nickel plated
3	Air nozzle	Brass	1	Electroless nickel plated
4	Valve	PBT	1	—
5	Valve seat	PBT	1	—
6	Valve spring	Stainless steel	1	—
7	Valve O-ring (1/8")	FKM	1	—
8	Valve seat O-ring (1/8")	NBR	1	—

Note 1: When adjusting flow rate, be sure not to pull out the nozzle beyond its stroke.
(Max. number of nozzle rotations shall be 2.5 rotations)

Note 2: After adjusting flow rate, tighten lock nut in order to prevent nozzle from loosening.

Note 3: When piping, be sure to fix width across flats of port section using wrench.

Note 4: During usage, be sure to avoid tension of tubing applying to the port section.

Note 5: "X4" is indicated on the port section of the product (-X4) for distinguishing from the standard product.



Caution To ensure the safest possible operation of this product, please be sure to read thoroughly the "Safety Instructions" in our blow gun (Series VMG) catalogue (CAT.ES50-20) before use.