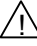


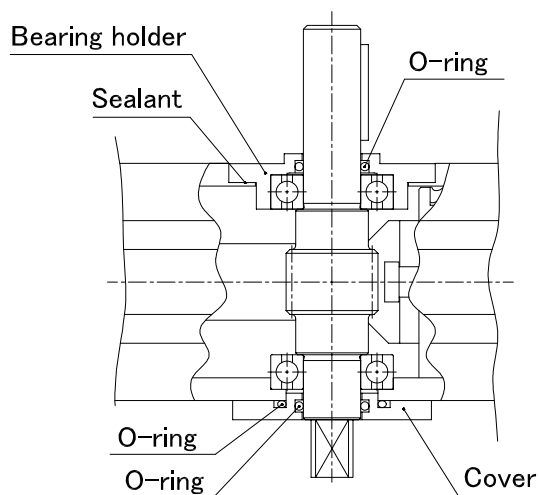
## Rotary Actuator

**CRA1-X20**  
**CDRA1-X20**

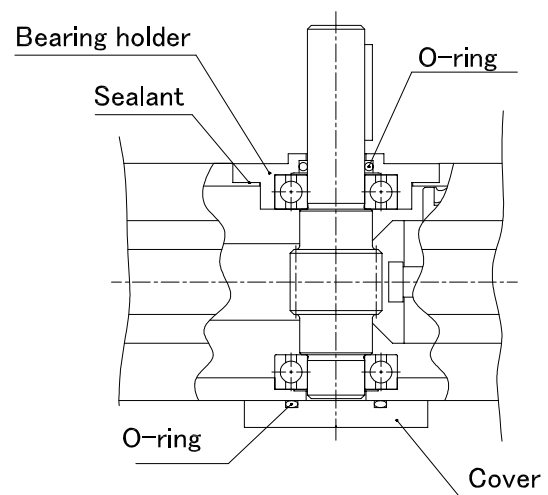
SMC CORPORATION  
1-16-4 Shimbashi, Minato-ku  
Tokyo 105-0004, JAPAN  
URL: <http://www.smcworld.com>

**Feature 1: O-rings (Material: NBR) installed on both sides of rotary actuator shafts keep liquid from entering.**

 The sealing using O-rings is better than conventional products (However this is not leak tight construction) under all working conditions. Therefore, be sure to confirm the compatibility of this product with your operating environment before use.



Shaft style: W (Double shaft)



Shaft style: S (Single shaft)

### Construction (Shaft)

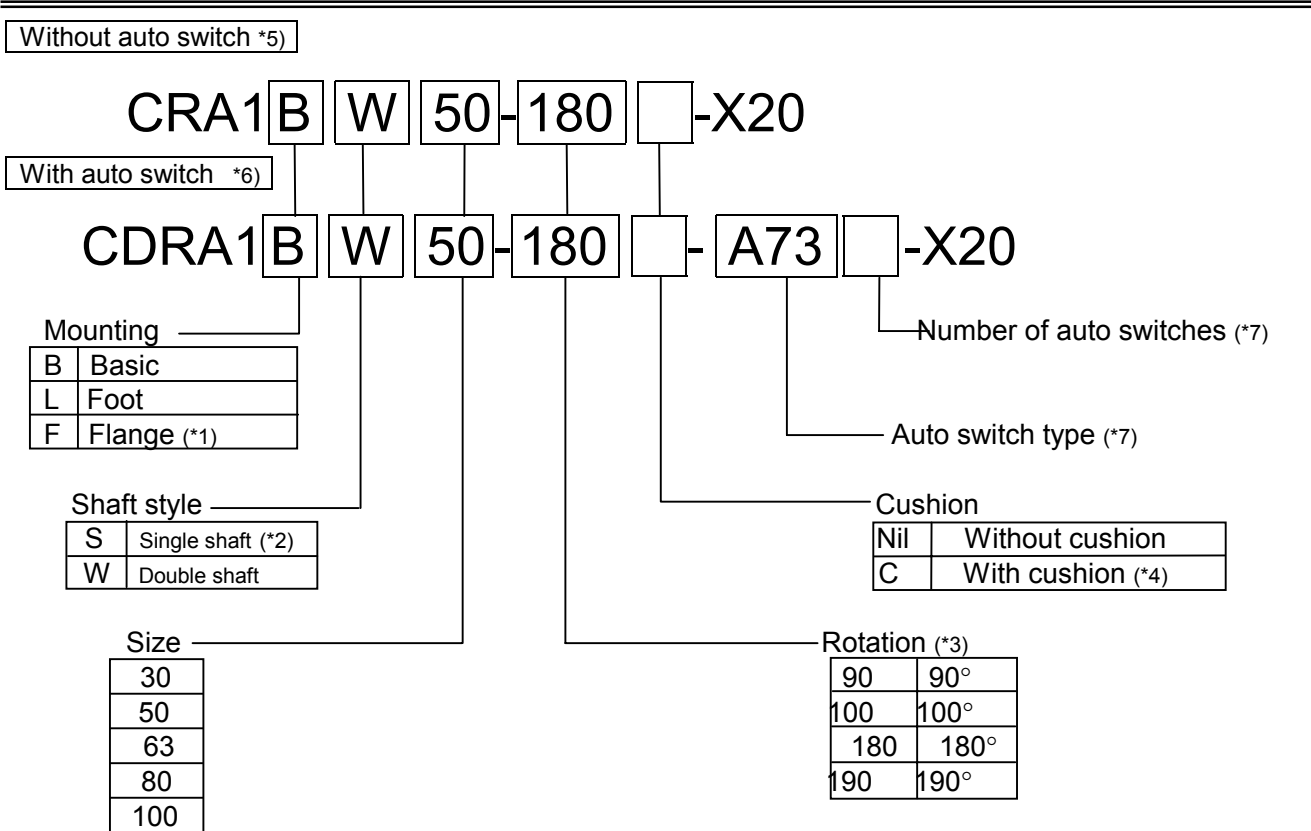
#### Comparison with standard products

Refer to the construction drawing above.  
(O-rings and sealant are added to the standard product.)

#### Specifications

Specifications are the same as those of the standard series CRA1 pneumatic type.  
Refer to our "Best Pneumatics" general catalog for details.

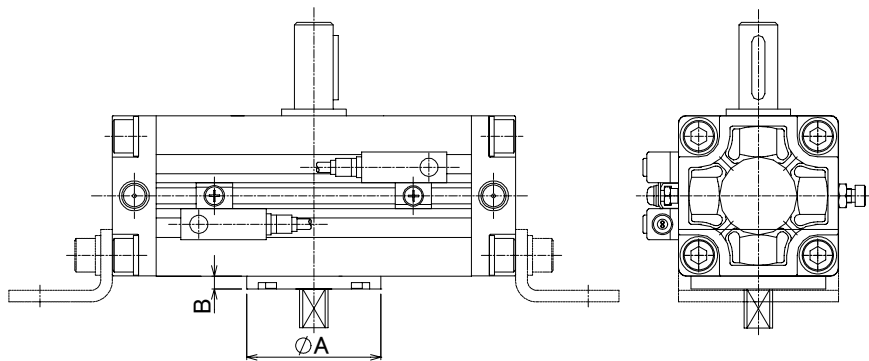
# How to Order



- \*1), \*2), \*4) Not applicable to size 30.
- \*3) Only 90° and 180° are available for size 30.
- \*5) A magnet is not built-in for actuators without auto switch.
- \*6) For actuators with auto switch (CDRA1 type), auto switches will be packaged and shipped together with actuators (not assembled).
- \*7) Applicable auto switches are the same as the standard series CDRA1. Refer to our "Best Pneumatics" general catalog for specifications and ordering auto switches.

## Dimensions: mm

Dimensions not listed in the table (A and B), including size 30 are same as those of standard products. Refer to our "Best Pneumatics" general catalog for details.



Dimensions

Series	A	B
C*RA1*S50	48	7
C*RA1*W50	52	5
C*RA1*S63	58	7
C*RA1*W63	55	5
C*RA1*S80	74	8
C*RA1*W80	64	5
C*RA1*S100	93	7
C*RA1*W100	70	5

**⚠ Caution:** To ensure the safest possible operation of this product, please be sure to read thoroughly the "Safety Instructions" in our "Best Pneumatics" general catalog before use.