

SMC CORPORATION
 1-16-4 Shimbashi, Minato-ku
 Tokyo 105-0004, JAPAN

URL: <http://www.smcworld.com>

Hydraulic Cylinder

- Conforms to JIS standard
- Rod-Side Trunnion Type

CH*2*TA**-X1204

Feature 1: Rod-side trunnion type hydraulic cylinder, conforming to JIS Standard (JIS B8354).

please refer to the following diagram.

- For the parts conforming to JIS,

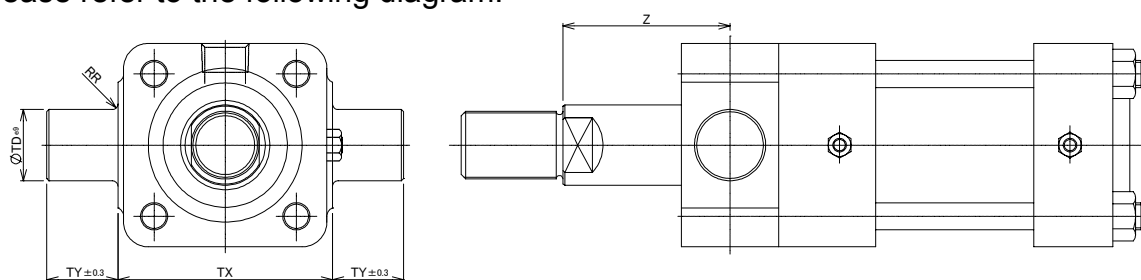


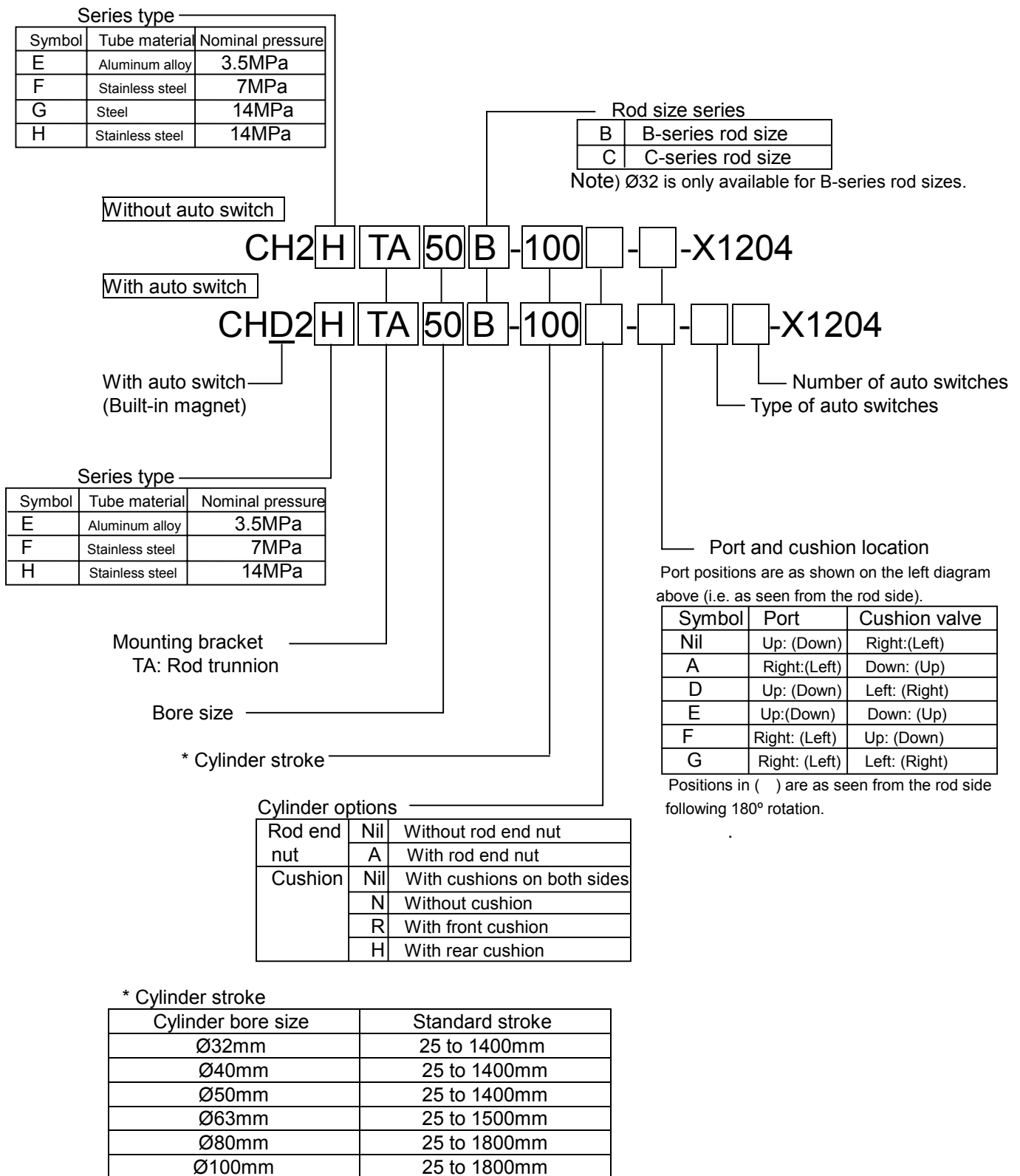
Diagram: (Dimensions shown here conform to JIS B 8354.)

Specifications

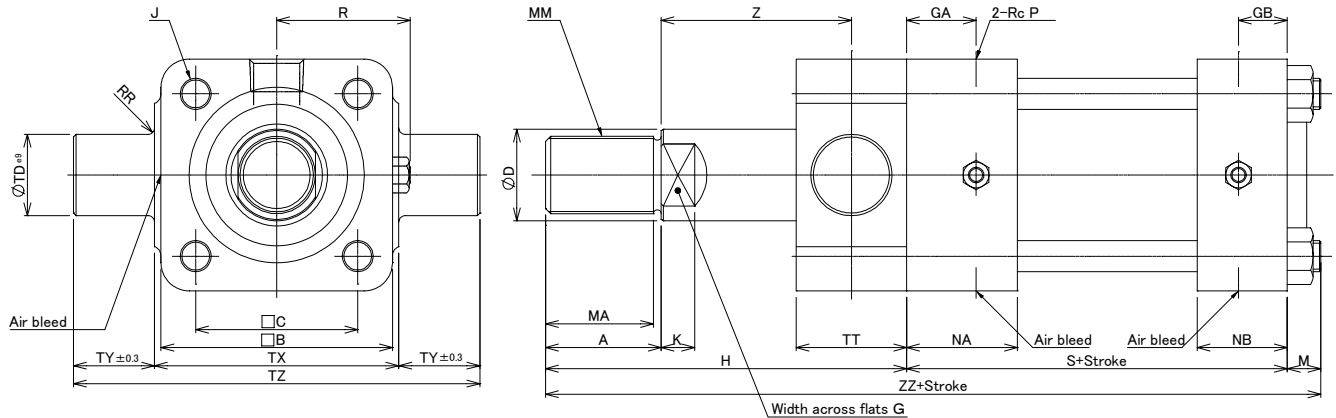
Model	CH2E	CH2F	CH2G	CH2H	
Tube material	Aluminum alloy	Stainless steel	Steel	Stainless steel	
Nominal pressure: MPa	3.5	7	14	14	
Bore size: mm	Ø32, Ø40, Ø50, Ø63, Ø80, Ø100				
Auto switch mounting	Applicable	Applicable	—	Applicable	
Action	Double acting / Single rod				
Fluid	Hydraulic fluid				
Maximum allowable pressure: MP	Rear	3.5	9	18	18
	Front	3.5	B-rod: 13.5 C-rod: 11	B-rod: 18 C-rod: 14	B-rod: 18 C-rod: 14
Proof pressure: MPa	5.0	10.5	21	21	
Minimum operating pressure: MPa	Rear: 0.15 Front: 0.2				
Ambient and fluid temperature	Without auto switch: -10 to 80°C With auto switch: -10 to 60°C				
Piston speed	8 to 300mm/s				
Cushion	Cushion seal type				
Thread tolerance	JIS class 2				
Stroke length tolerance	Up to 100 st	+0.8 0			
	101 to 250 st	+1.0 0			
	251 to 630 st	+1.25 0			
	631 to 1000 st	+1.4 0			
	1001 to 1800 st	+1.8 0			

How to Order

[Please refer to P. 1 and 2 of our Hydraulic Cylinder general catalog (CAT.ES110-10) for details to help with your selection.]



Dimensions: mm



Bore size	Stroke range	$\square B$	$\square C$	GA	GB	J	M	NA	NB
$\varnothing 32$	25 to 1400	58	38	21	15	M10 \times 1.25	11	37	31
$\varnothing 40$	25 to 1400	65	45	21	15	M10 \times 1.25	11	36	30
$\varnothing 50$	25 to 1400	76	52	27	19	M10 \times 1.25	11	43	35
$\varnothing 63$	25 to 1500	90	63	27	19	M12 \times 1.5	14	43	35
$\varnothing 80$	25 to 1800	110	80	22	22	M16 \times 1.5	16	44	44
$\varnothing 100$	25 to 1800	135	102	22	22	M18 \times 1.5	18	44	44

Bore size	P	R	S	RR	TD	TT	TX	TY	TZ	Z
$\varnothing 32$	3/8	39	130	2	20	28	58	20	98	62
$\varnothing 40$	3/8	42	130	2	20	28	69	20	109	62
$\varnothing 50$	1/2	46	142	2.5	25	33	85	25	135	66
$\varnothing 63$	1/2	52	148	2.5	31.5	43	98	31.5	161	74
$\varnothing 80$	3/4	65	166	2.5	31.5	43	118	31.5	181	82
$\varnothing 100$	3/4	75	172	3	40	53	145	40	225	89

Bore size	B-series rod size							
	MM	A	MA	$\varnothing D$	K	G	H	ZZ
$\varnothing 32$	M16 \times 1.5	25	22	18	7	14	101	242
$\varnothing 40$	M20 \times 1.5	30	27	22.4	9	19	106	247
$\varnothing 50$	M24 \times 1.5	35	32	28	11	24	117.5	270.5
$\varnothing 63$	M30 \times 1.5	45	42	35.5	13	30	140.5	302.5
$\varnothing 80$	M39 \times 1.5	60	57	45	15	41	163.5	345.5
$\varnothing 100$	M48 \times 1.5	75	72	56	16	50	190.5	380.5

Bore size	C-series rod size							
	MM	A	MA	$\varnothing D$	K	G	H	ZZ
$\varnothing 32$	—	—	—	—	—	—	—	—
$\varnothing 40$	M16 \times 1.5	25	22	18	7	14	101	242
$\varnothing 50$	M20 \times 1.5	30	27	22.4	9	19	112.5	265.5
$\varnothing 63$	M24 \times 1.5	35	32	28	11	24	130.5	292.5
$\varnothing 80$	M30 \times 1.5	45	42	35.5	13	30	148.5	330.5
$\varnothing 100$	M39 \times 1.5	60	57	45	15	41	175.5	365.5

Caution
 To ensure the safest possible operation of this product, please be sure to read thoroughly the "Safety Instructions" in our "Hydraulic Cylinder" catalog (CAT.ES110-10) before use.