

Rotary Gripper

(Additional rotation angles)

SMC CORPORATION
1-16-4 Shimbashi, Minato-ku
Tokyo 105-0004, JAPAN

URL: <http://www.smcworld.com>

MRHQ20/25-X101

Feature 1: Additional rotation angles available based on the application.

- Adjustable rotation angle is available from 30° to 165° in 15° increments. (Except for 90° as it is a standard model.)

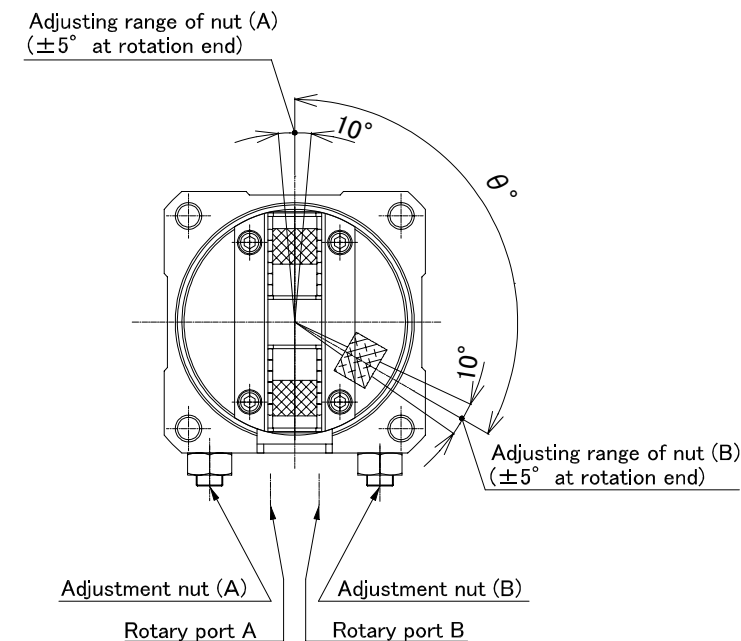
Feature 2: Additional gripper bore sizes of Ø20 and 25 now released.

- Ø10 and 16 models have already been released.

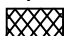
Comparison with Standard Product:

- 1) Nine types of rotation angle (30°, 45°, 60°, 75°, 105°, 120°, 135°, 150°, 165°) can be selected.
 - Specifications and dimensions are the same as the standard product (MRHQ), except for change of the gripper rotating range. (See Note 1.)

Gripper rotating range



Rotating range ° type
(30°, 45°, 60°, 75°, 105°, 120°, 135°, 150°, 165°)

Supplement 1. The positions of the fingers shown in the above cross-hatching (see  area) indicate the initial condition, pressurized from port B.

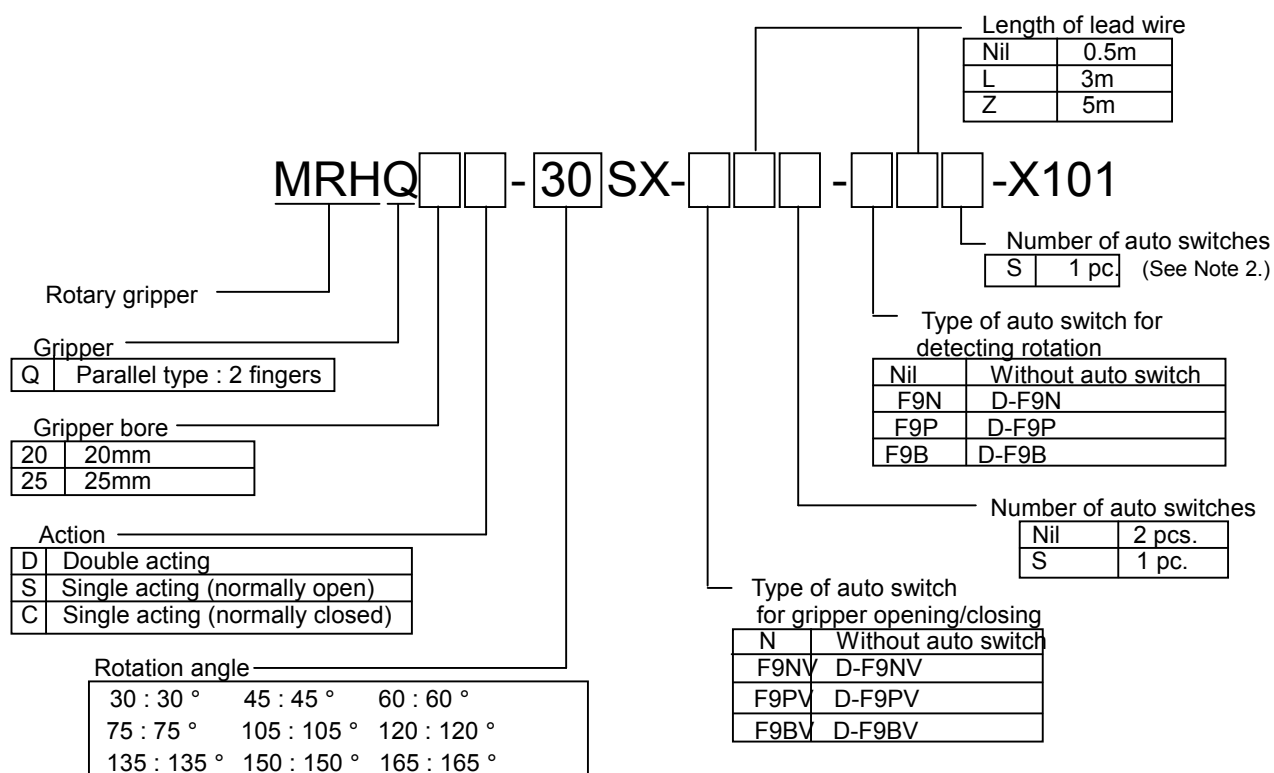
Supplement 2. To adjust rotation ±5° at each end, turn the adjusting nut about one and a half turns clockwise or counterclockwise. (Full 10° of adjustment (-5° to +5°) is about three turns.)

Specifications

Model		MRHQ20	MRHQ25
Fluid		Air	
Operating pressure	Rotary section		0.25 to 1.0MPa
	Gripper section	Double acting	0.1 to 0.7MPa
		Single acting	0.25 to 0.7MPa
Rotation angle		30 ° , 45 ° , 60 ° , 75 ° , 105 ° 120 ° , 135 ° , 150 ° , 165 ° (Adjusting range: ± 5 ° at each end of rotation)	
Gripper action		Double acting, Single acting	
Ambient and fluid temperature		5 to 60	
Adjustable rotation time (See Supplement 3.)		0.07 to 0.3 s/90 °	
Allowable kinetic energy		0.034J	0.074J
Auto switch	Rotary section		Solid state switch (2 wire, 3 wire)
	Gripper section		Solid state switch (2 wire, 3 wire)

Supplement 3) Operate within the speed adjustment range, as speed control exceeding the upper limit may cause sticking or failure to operate.

How to Order



Note 1: Refer to our catalog, Series MRHQ (CAT.ES20-133), regarding common information such as specifications and dimensions of the product.

Note 2: An auto switch to confirm rotation can be mounted only at the starting point, and cannot be mounted on the end side.



Caution

For safe operation of this product, before using it, be sure to carefully read "Safety Instructions" indicated in our "Best Pneumatics" general catalog.