



Contact our sales office regarding a delivery date or a price since this is a special model.

SP147X-013E
P: SU

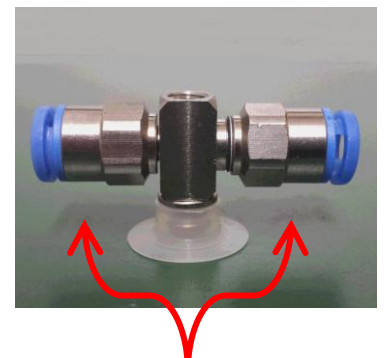
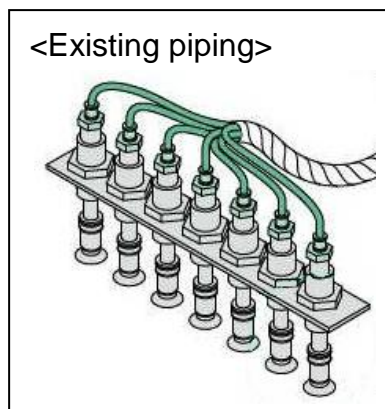
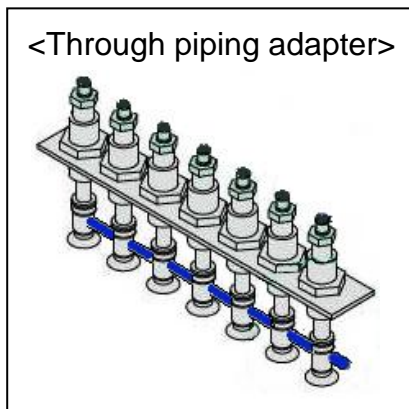
 *P.G.Information (Specialized Product)*

Through piping adapter ZP-654-Y2/Y3

SMC Corporation
4-14-1, SOTO-KANDA,
CHIYODA-KU,
TOKYO 101-0021, JAPAN
URL: <http://www.smcworld.com>

Reduced hours and space with crossover piping between pads

Through piping adapter installation example



Piping port on left and right sides
[A one-touch fitting should be ordered separately.]

- A port on one side can be used as a vacuum switch port.

How to Order

ZP-654-

● Applicable pads

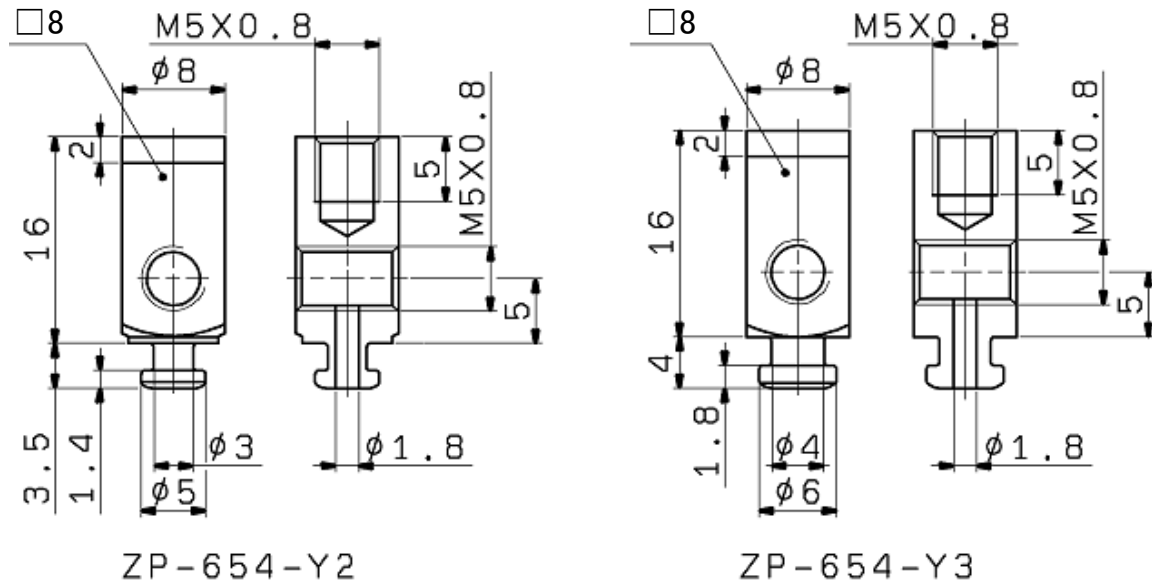
Y2 : ZP3 Series ϕ 04~08

Y3 : ZP3 Series ϕ 10~16 用

* The applicable pads are the ZP3 Series.

* Adapter material: Brass/Electroless nickel plated


Dimensions : mm



* Refer to page 1121 in Best Pneumatics No.4 for the vacuum pads, ZP3 Series.

<Notices>

A common vacuum circuit is used. When a workpiece with large leak rate is used, vacuum pressures of all pads decrease. Take safety measures such as attaching a guide.

 Caution To ensure the safest possible operation of this product, please be sure to thoroughly read the "Safety Instructions" in our "Best Pneumatics" catalog before use.