

 Contact our sales office for delivery dates and prices as this is a special model.

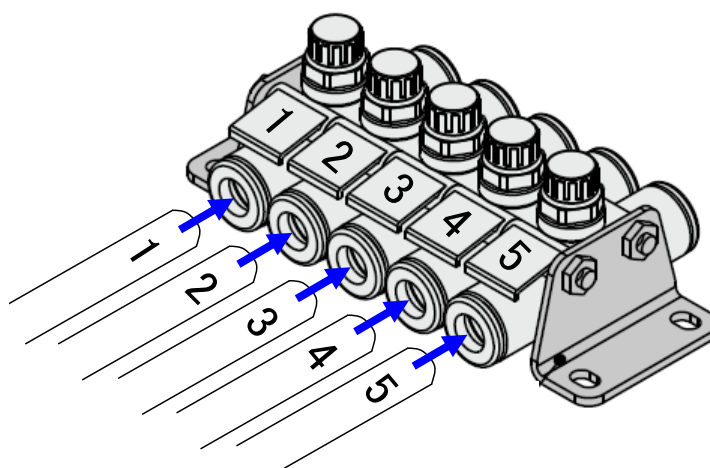
SP143X-015E
P: SW

 *P.G.Information (Specialized Product)*

Nylon Tubing
T**-100-*-X190

SMC CORPORATION
4-14-1, SOTO-KANDA,
CHIYODA-KU,
TOKYO 101-0021, JAPAN
URL: <http://www.smcworld.com>

■ Features: User designated numbers (1 to 99) can be printed on tube. This prevents piping mistakes when there are a lot of piping and tubes are long.



Piping image

■ Specifications:

Model		T0604	T0806
Fluid		Air, Water ^{Note1)}	
Max. operating Pressure ^{Note2)} MPa	20°C or less	3.0	2.0
	40°C	2.1	1.4
	60°C	1.5	1.0
	80°C	1.25	0.8
	100°C	1.1	0.75
Ambient and fluid temperature ^{Note2)}		-40 to 100°C Water: 0 to 70°C (No freezing)	
Material		Nylon 12	

Note1) Surge pressure must be under the max. operating pressure.

Abnormal temperature rises caused by adiabatic compression may result in the burst of the tube.

Note2) Be sure to operate under the maximum operating pressure conditions using the lower maximum

operating specification of either the tubing or fittings.

■How to Order / Dimensions (mm):

T 0604 BU - 100 - 10 - X190

● Tubing model

Symbol	O.D.(ΦD) X I.D.(Φd)
0604	Φ6 X Φ4
0806	Φ8 X Φ6

● Printing contents ^{Note1)}

Symbol	Contents
1 to 99	1 to 99

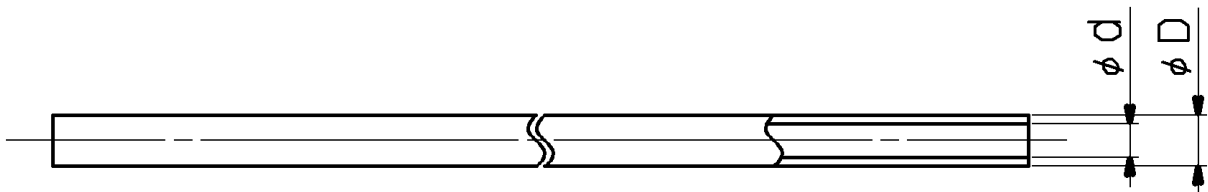
Note 1) The above printing number(s) may overlap with the SMC logo, P/N, description and size printed on a tube.

● Color

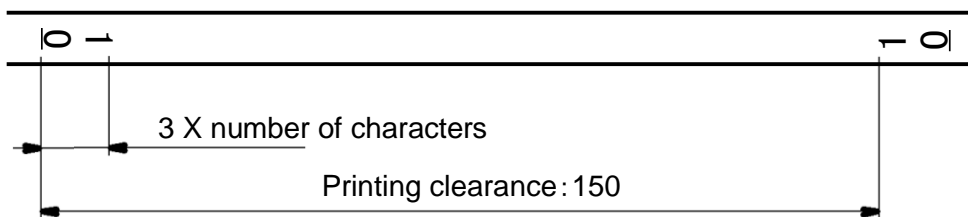
Symbol	Color	Symbol	Color
B	Black(Translucent)	BU	Blue(Translucent)
W	White(Material color)	Y	Yellow(Translucent)
R	Red(Translucent)	G	Green(Translucent)

● Length per roll

Symbol	Length
100	100m roll



<Printing clearance>



Direction and clearance of letters can be changed. Letters can also be printed. Please inquire with us for details.



Printing image

⚠ Caution To ensure the safest possible operation of this product, please be sure to thoroughly read the "Safety Instructions" in our "Best Pneumatics" catalog before use.