

# Compact Cylinder/Anti-lateral Load Type

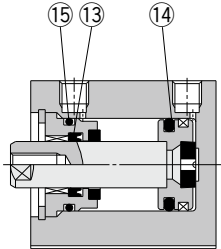
# CQS□S Series

ø12, ø16  
ø20, ø25

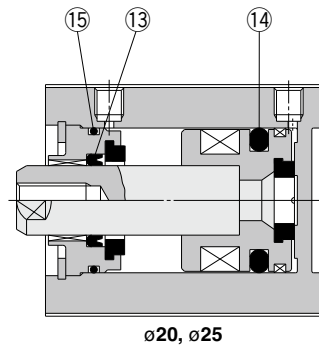
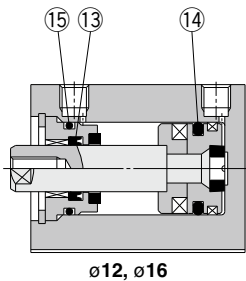


## Construction

### Basic type



### With auto switch (built-in magnet)



\* The numbers correspond with those in the "Construction" of the CQS□S series in the Best Pneumatics catalog.

### Seal Kit List

No.	Description	Material	Note
⑬	Rod seal	NBR	
⑭	Piston seal		
⑮	Tube gasket		

### Replacement Parts: Seal Kit

Bore size (mm)	Part no.	Contents
12	CQSB12-PS	Set of nos. ⑬, ⑭, ⑮
16	CQSB16-PS	
20	CQSB20-PS	
25	CQSB25-PS	

\* The seal kit includes ⑬, ⑭, ⑮. Order the seal kit based on each bore size.

\* Since the seal kit does not include a grease pack, it should be ordered separately.

**Grease pack part no.: GR-S-010 (10 g)**