

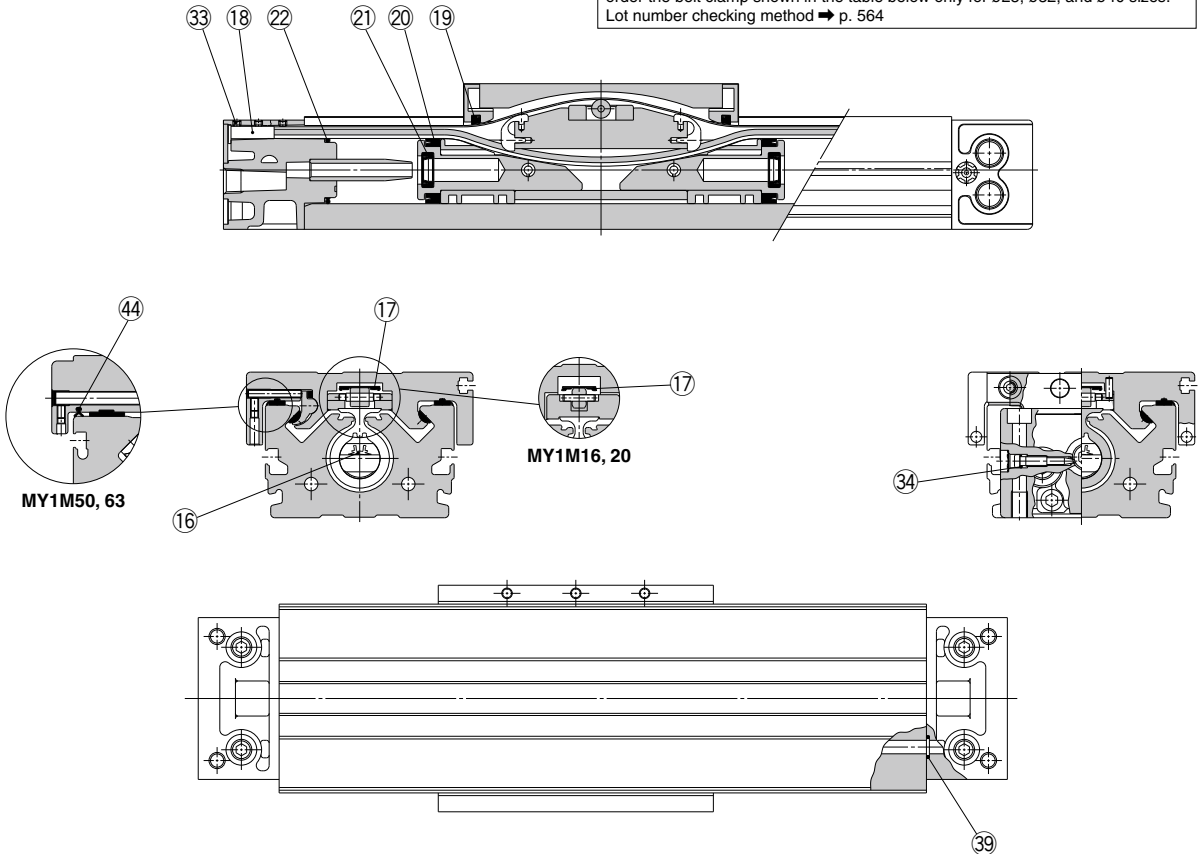
# MY1M Series

ø16, ø20, ø25, ø32  
ø40, ø50, ø63



## Construction

The seal belt has been changed since October 2015 (Lot no. TX).  
When replacing the seal belt of a cylinder that was purchased before the change, order the belt clamp shown in the table below only for ø25, ø32, and ø40 sizes.  
Lot number checking method → p. 564



\* The numbers correspond with those in the "Construction" of the MY1M series in the Best Pneumatics catalog.

### Replacement Parts: Seal Kit (16, 17, 18, 34, and 44 are not included in the seal kit. Order them as required with the individual part numbers provided.)

No.	Description	Qty.	MY1M16	MY1M20	MY1M25	MY1M32	MY1M40	MY1M50	MY1M63
16	Seal belt	1	MY16-16C-Stroke	MY20-16C-Stroke	MY25-16C-Stroke	MY32-16C-Stroke	MY40-16C-Stroke	MY50-16C-Stroke	MY63-16A-Stroke
17	Dust seal band	1	MY16-16B-Stroke	MY20-16B-Stroke	MY25-16B-Stroke	MY32-16B-Stroke	MY40-16B-Stroke	MY50-16B-Stroke	MY63-16B-Stroke
18	Belt clamp	2	—	—	MYC25-31-29449B	MYC25-31-29449B	MYC40-31-29451B	—	—
34	O-ring	2	KA00309 (ø4 x ø1.8 x ø1.1)	KA00311 (ø5.1 x ø3 x ø1.05)	KA00311 (ø5.1 x ø3 x ø1.05)	KA00320 (ø7.15 x ø3.75 x ø1.7)	KA00402 (ø8.3 x ø4.5 x ø1.9)	KA00777	KA00777
44	Side scraper	2	—	—	—	—	—	MYM50-15CK0502B	MYM63-15CK0503B
19	Scraper	2	—	—	—	—	—	—	—
20	Piston seal	2	—	—	—	—	—	—	—
21	Cushion seal	2	MY1M16-PS	MY1M20-PS	MY1M25-PS	MY1M32-PS	MY1M40-PS	MY1M50-PS	MY1M63-PS
22	Tube gasket	2	—	—	—	—	—	—	—
39	O-ring	4	—	—	—	—	—	—	—

\* The seal kit includes 19, 20, 21, 22, and 39. Order the seal kit based on each bore size.

\* The seal kit includes a grease pack (10 g).

When 16 and 17 are shipped independently, a grease pack is included. (10 g per 1000 strokes)

Order with one of the following part numbers when only the grease pack is required.

Grease pack part no.: GR-S-010 (10 g), GR-S-020 (20 g)

Note) Two kinds of dust seal bands are available. Since the part number varies depending on the treatment of the hexagon socket head set screw 33, confirm before ordering.

A: Black zinc chromated → MY□□-16B-stroke, B: Nickel plated → MY□□-16BW-stroke