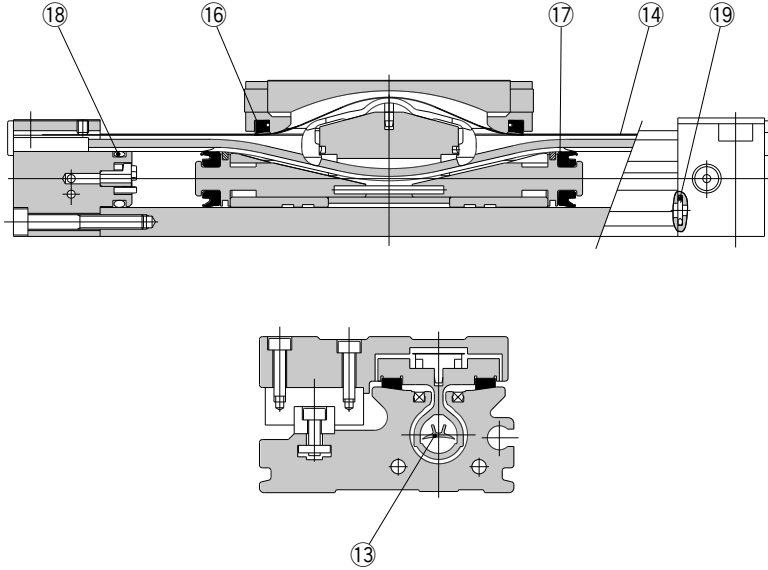


MY1H Series $\phi 10$



Construction

Centralized piping type: $\phi 10$



* The numbers correspond with those in the "Construction" of the MY1H series in the Best Pneumatics catalog.

Replacement Parts: Seal Kit

No.	Description	Qty.	MY1H10	Note
13	Seal belt	1	MY10-16A-Stroke	13 and 14 are not included in the seal kit. Order them as required with the individual part numbers provided.
14	Dust seal band	1	MY10-16B-Stroke	
16	Scraper	2	MY1B10-PS	
17	Piston seal	2		
18	Tube gasket	2		
19	O-ring	4		

* The seal kit includes 16, 17, 18 and 19.

The seal kit includes a grease pack (10 g).

When 13 and 14 are shipped independently, a grease pack is included.

Order with one of the following part numbers when only the grease pack is required.

Grease pack part no.: GR-S-010 (10 g), GR-S-020 (20 g)

Mechanically Jointed Rodless Cylinder/Linear Guide Type

MY1H Series

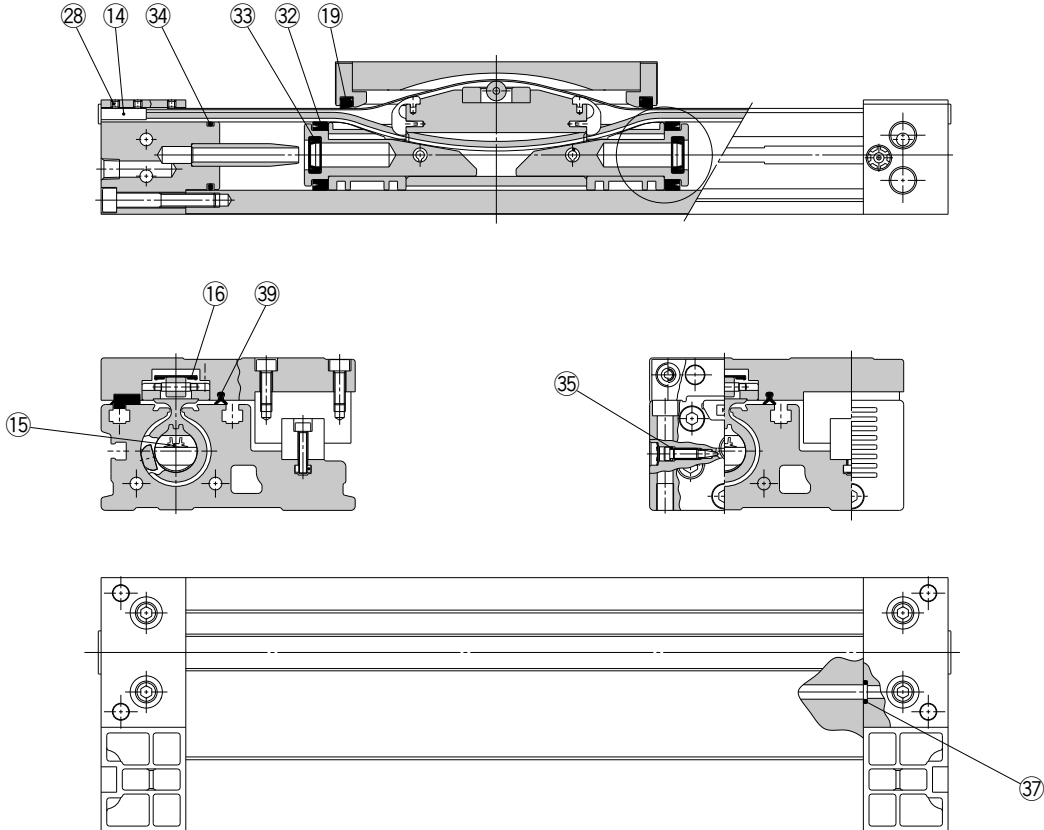
ø16, ø20, ø25
ø32, ø40

The Replacement Procedure is on p. 343

Construction

The production of this series has been discontinued. Check the following before ordering.
 • New series MY1H-□Z → p. 119
 • Checking whether the cylinder is a new or a previous model → p. 563, 564

The seal belt has been changed since October 2015 (Lot no. TX). When replacing the seal belt of a cylinder that was purchased before the change, order the belt clamp shown in the table below only for ø25, ø32, and ø40 sizes. Lot number checking method → p. 564



* The numbers correspond with those in the "Construction" of the MY1H series in the Best Pneumatics catalog (Web Catalog for ø25 to ø40 sizes).

Replacement Parts: Seal Kit (14, 15, 16, 35, and 39 are not included in the seal kit. Order them as required with the individual part numbers provided.)

No.	Description	Qty.	MY1H16	MY1H20	MY1H25	MY1H32	MY1H40
14	Belt clamp	2	—	—	MYC25-31-29449B	MYC25-31-29449B	MYC40-31-29451B
15	Seal belt	1	MY16-16C-[Stroke]	MY20-16C-[Stroke]	MY25-16C-[Stroke]	MY32-16C-[Stroke]	MY40-16C-[Stroke]
16	Dust seal band	1	MY16-16B-[Stroke]	MY20-16B-[Stroke]	MY25-16B-[Stroke]	MY32-16B-[Stroke]	MY40-16B-[Stroke]
35	O-ring	2	KA00309 (ø4 x ø1.8 x ø1.1)	KA00309 (ø4 x ø1.8 x ø1.1)	KA00311 (ø5.1 x ø3 x ø1.05)	KA00320 (ø7.15 x ø3.75 x ø1.7)	KA00320 (ø7.15 x ø3.75 x ø1.7)
39	Side scraper	1	MYH16-15BK2900B	MYH20-15BK2901B	MYH25-15BK2902B	MYH32-15BK2903B	MYH40-15BK2904B
19	Scraper	2					
32	Piston seal	2					
33	Cushion seal	2	MY1H16-PS	MY1H20-PS	MY1H25-PS	MY1H32-PS	MY1H40-PS
34	Tube gasket	2					
37	O-ring	4					

* The seal kit includes 19, 32, 33, 34, and 37. Order the seal kit based on each bore size.

* The seal kit includes a grease pack (10 g).

When 15 and 16 are shipped independently, a grease pack is included. (10 g per 1000 strokes)

Order with one of the following part numbers when only the grease pack is required.

Grease pack part no.: GR-S-010 (10 g), GR-S-020 (20 g)

Note) Two kinds of dust seal bands are available. Since the part number varies depending on the treatment of the hexagon socket head set screw 28, confirm before ordering.

A: Black zinc chromated → MY□□-16B-stroke, B: Nickel plated → MY□□-16BW-stroke

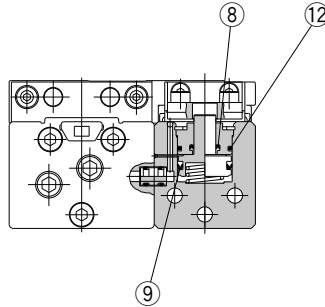
MY1H Series

∅16, ∅20, ∅25
∅32, ∅40



Construction

With End Lock: ∅16 to ∅40



The production of this series has been discontinued. Check the following before ordering.

- New series MY1H-□Z → p. 120
- Checking whether the cylinder is a new or a previous model → p. 563, 564

* The numbers correspond with those in the "Construction" of the MY1H series in the Best Pneumatics catalog (**Web Catalog** for ∅25 to ∅40 sizes).

Replacement Parts: Seal Kit

No.	Description	Material	Qty.	MY1H16	MY1H20	MY1H25	MY1H32	MY1H40
8	Rod seal	NBR	1	KB00257	KB00257	KB00267	KB00267	KB00267
9	Piston seal		1	KB00202	KB00202	KB00217	KB00217	KB00217
12	O-ring		1	KA00057	KA00057	KA00037	KA00037	KA00037

* Since the seal kit does not include a grease pack, it should be ordered separately.

Grease pack part no.: GR-S-010 (10 g)

* Replacement parts other than those shown above are the same as those for the standard type. Refer to page 126.