

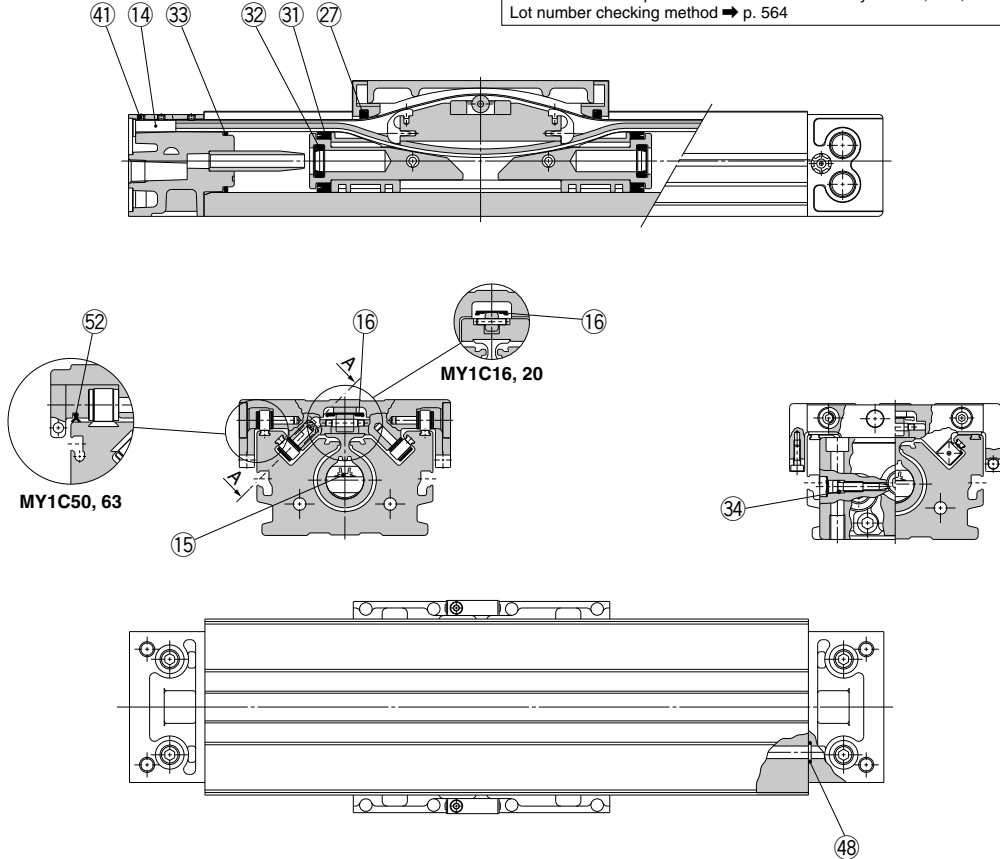
MY1C Series

ø16, ø20, ø25, ø32
ø40, ø50, ø63

The Replacement Procedure is on p. 339

Construction

The seal belt has been changed since October 2015 (Lot no. TX). When replacing the seal belt of a cylinder that was purchased before the change, order the belt clamp shown in the table below only for ø25, ø32, and ø40 sizes. Lot number checking method → p. 564



* The numbers correspond with those in the "Construction" of the MY1C series in the Best Pneumatics catalog.

Replacement Parts: Seal Kit (14, 15, 16, 34, and 52 are not included in the seal kit. Order them as required with the individual part numbers provided.)

No.	Description	Qty.	MY1C16	MY1C20	MY1C25	MY1C32	MY1C40	MY1C50	MY1C63
14	Belt clamp	2	—	—	MYC25-31-29449B	MYC25-31-29449B	MYC40-31-29451B	—	—
15	Seal belt	1	MY16-16C-Stroke	MY20-16C-Stroke	MY25-16C-Stroke	MY32-16C-Stroke	MY40-16C-Stroke	MY50-16C-Stroke	MY63-16A-Stroke
16	Dust seal band	1	MY16-16B-Stroke	MY20-16B-Stroke	MY25-16B-Stroke	MY32-16B-Stroke	MY40-16B-Stroke	MY50-16B-Stroke	MY63-16B-Stroke
34	O-ring	2	KA00309 (ø4 x ø1.8 x ø1.1)	KA00311 (ø5.1 x ø3 x ø1.05)	KA00311 (ø5.1 x ø3 x ø1.05)	KA00320 (ø7.15 x ø3.75 x ø1.7)	KA00402 (ø8.3 x ø4.5 x ø1.9)	KA00777	KA00777
52	Side scraper	2	—	—	—	—	—	MYM50-15CK0502B	MYM63-15CK0503B
27	Scraper	2	—	—	—	—	—	—	—
31	Piston seal	2	—	—	—	—	—	—	—
32	Cushion seal	2	MY1M16-PS	MY1M20-PS	MY1M25-PS	MY1M32-PS	MY1M40-PS	MY1M50-PS	MY1M63-PS
33	Tube gasket	2	—	—	—	—	—	—	—
48	O-ring	4	—	—	—	—	—	—	—

* The seal kit includes 27, 31, 32, 33, and 48. Order the seal kit based on each bore size.

* The seal kit includes a grease pack (10 g).

When 15 and 16 are shipped independently, a grease pack is included. (10 g per 1000 strokes)

Order with one of the following part numbers when only the grease pack is required.

Grease pack part no.: GR-S-010 (10 g), GR-S-020 (20 g)

Note) Two kinds of dust seal bands are available. Since the part number varies depending on the treatment of the hexagon socket head set screw 41, confirm before ordering.

A: Black zinc chromated → MY□□-16B-stroke, B: Nickel plated → MY□□-16BW-stroke