

Mechanically Jointed Rodless Cylinder/Basic Type

MY1B-Z Series

ø25
ø32
ø40

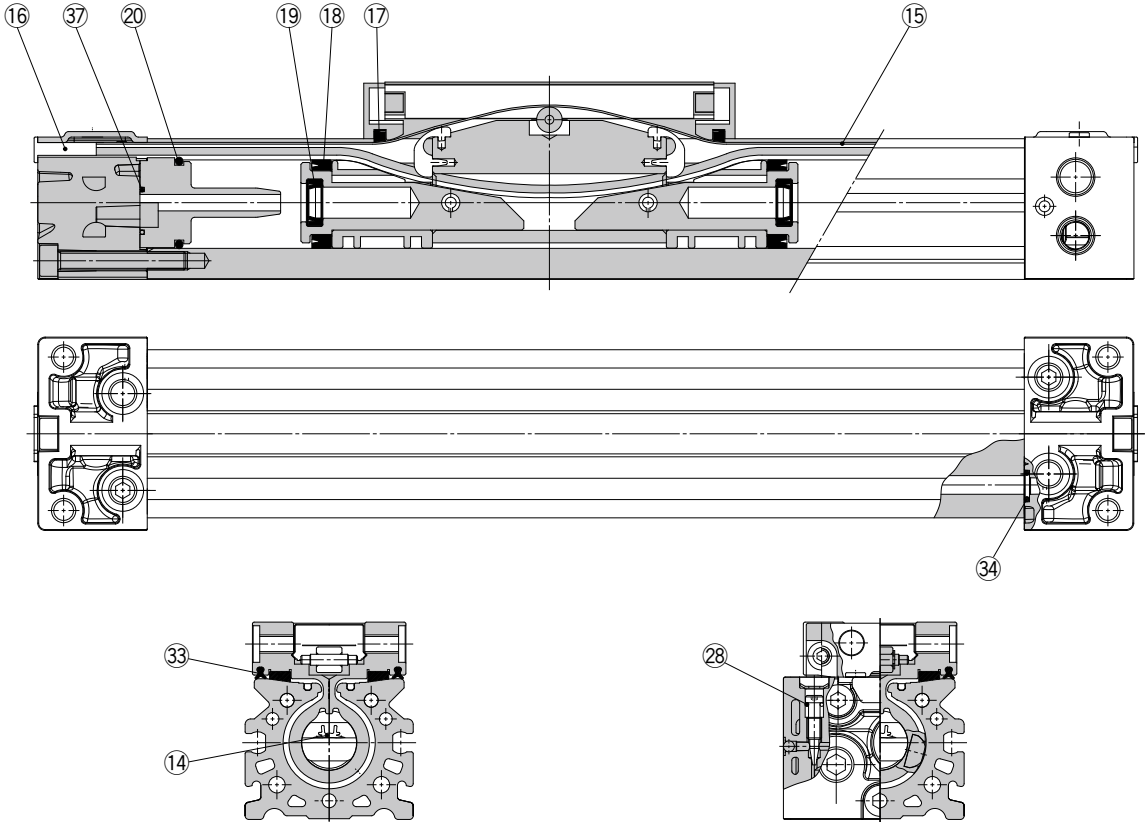
The Replacement Procedure is on p. 336-1

Construction

The products in this series are refreshed products. Check the following before ordering.

- Previous series (Discontinued product) MY1B → p. 122
- Checking whether the cylinder is a new or a previous model → p. 563, 564

The seal belt has been changed since October 2015 (Lot no. TX). When replacing the seal belt of a cylinder that was purchased before the change, order the belt clamp shown in the table below. Lot number checking method → p. 564



* The numbers correspond with those in the "Construction" of the MY1B series in the Best Pneumatics catalog.

Replacement Parts: Seal Kit

No.	Description	Material	Qty.	MY1B25	MY1B32	MY1B40	Note
14	Seal belt	Urethane	1	MY25-16C-Stroke	MY32-16C-Stroke	MY40-16C-Stroke	14, 15, 16, 28, 33, and 37 are not included in the seal kit. Order them as required with the individual part numbers provided.
15	Dust seal band	Stainless steel	1	MY1B25-16B-Stroke	MY1B32-16B-Stroke	MY1B40-16B-Stroke	
16	Belt clamp	Polybutylene terephthalate	2	MYC25-31-29449B	MYC25-31-29449B	MYC40-31-29451B	
28	O-ring	NBR	2	KA00311 (ø5.1 x ø3 x ø1.05)	KA00320 (ø7.15 x ø3.75 x ø1.7)	KA00320 (ø7.15 x ø3.75 x ø1.7)	
33	Side scraper	Polyamide	2	MYB25-15BA5900B	MYB32-15BA5901B	MYB40-15BA5902B	
37	Cushion boss gasket	NBR	2	MYB25-16GA5900	MYB32-16GA5901	MYB40-16GA5902	
17	Scraper	NBR	2	MY1B25-PS	MY1B32-PS	MY1B40-PS	
18	Piston seal	NBR	2				
19	Cushion seal	NBR	2				
20	Tube gasket	NBR	2				
34	O-ring	NBR	2				

* The seal kit includes 17, 18, 19, 20 and 34. Order the seal kit based on each bore size.

* The seal kit includes a grease pack (10 g).

When 14 and 15 are shipped independently, a grease pack is included. (10 g per 1000 strokes)

Order with one of the following part numbers when only the grease pack is required.

Grease pack part no.: GR-S-010 (10 g), GR-S-020 (20 g)