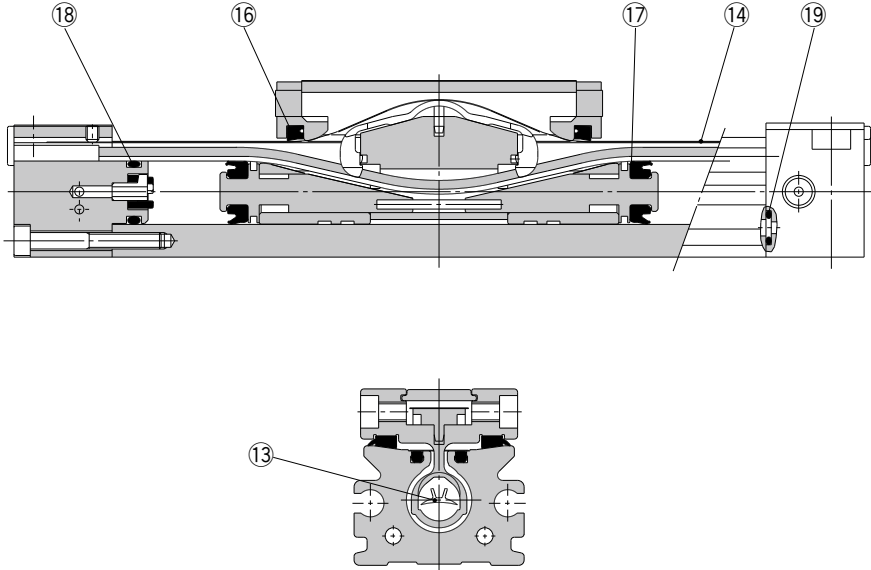


MY1B Series $\phi 10$



Construction

Centralized piping type: $\phi 10$



* The numbers correspond with those in the "Construction" of the MY1B series in the Best Pneumatics catalog.

Replacement Parts: Seal Kit

No.	Description	Qty.	MY1B10	Note
13	Seal belt	1	MY10-16A-Stroke	13 and 14 are not included in the seal kit. Order them as required with the individual part numbers provided.
14	Dust seal band	1	MY10-16B-Stroke	
16	Scraper	2	MY1B10-PS	
17	Piston seal	2		
18	Tube gasket	2		
19	O-ring	4		

* The seal kit includes 16, 17, 18, and 19.
 The seal kit includes a grease pack (10 g).
 When 13 and 14 are shipped independently, a grease pack is included. (10 g per 1000 strokes)
 Order with one of the following part numbers when only the grease pack is required.
Grease pack part no.: GR-S-010 (10 g), GR-S-020 (20 g)

Mechanically Jointed Rodless Cylinder/Basic Type

MY1B Series

ø16, ø20, ø25, ø32
ø40, ø50, ø63, ø80
ø100

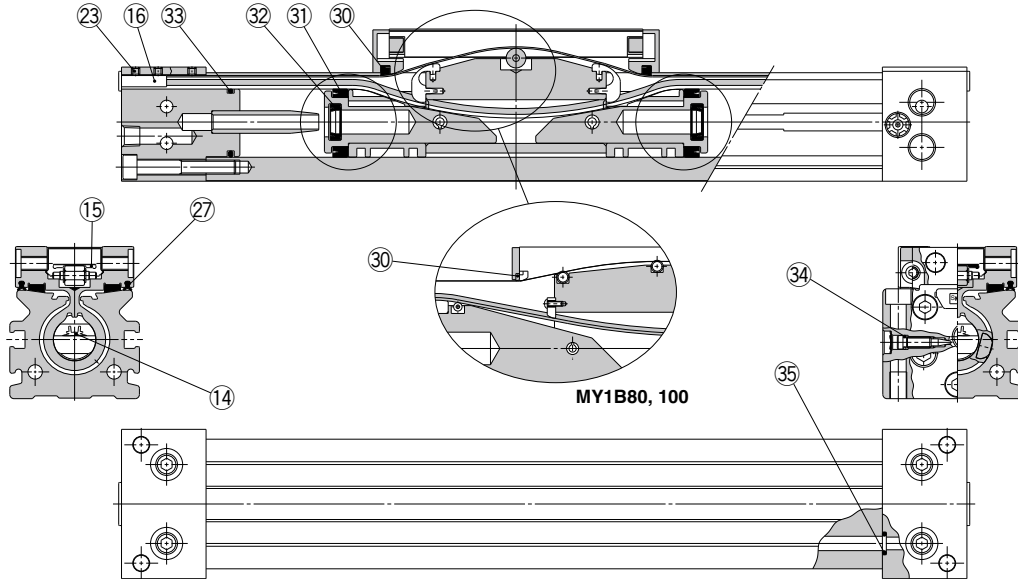
The Replacement Procedure is on p. 337

Construction

ø16 to ø100

The production of this series has been discontinued. Check the following before ordering.
• New series MY1B-□Z → p. 118
• Checking whether the cylinder is a new or a previous model → p. 563, 564

The seal belt has been changed since October 2015 (Lot no. TX). When replacing the seal belt of a cylinder that was purchased before the change, order the belt clamp shown in the table below only for ø25, ø32, and ø40 sizes. Lot number checking method → p. 564



* The numbers correspond with those in the "Construction" of the MY1B series in the Best Pneumatics catalog (Web Catalog for ø25 to ø40 sizes).

Replacement Parts: Seal Kit

No.	Description	Qty.	MY1B16	MY1B20	MY1B25	MY1B32	MY1B40
14	Seal belt	1	MY16-16C-Stroke	MY20-16C-Stroke	MY25-16C-Stroke	MY32-16C-Stroke	MY40-16C-Stroke
15	Dust seal band	1	MY16-16B-Stroke	MY20-16B-Stroke	MY25-16B-Stroke	MY32-16B-Stroke	MY40-16B-Stroke
16	Belt clamp	2	—	—	MYC25-31-29449B	MYC25-31-29449B	MYC40-31-29451B
27	Side scraper	2	—	MYB20-15CA7164B	MYB25-15BA5900B	MYB32-15BA5901B	MYB40-15BA5902B
34	O-ring	2	KA00309 (ø4 x ø1.8 x ø1.1)	KA00309 (ø4 x ø1.8 x ø1.1)	KA00311 (ø5.1 x ø3 x ø1.05)	KA00320 (ø7.15 x ø3.75 x ø1.7)	KA00320 (ø7.15 x ø3.75 x ø1.7)
30	Scraper	2					
31	Piston seal	2					
32	Cushion seal	2	MY1B16-PS	MY1B20-PS	MY1B25-PS	MY1B32-PS	MY1B40-PS
33	Tube gasket	2					
35	O-ring	4					

No.	Description	Qty.	MY1B50	MY1B63	MY1B80	MY1B100	Note
14	Seal belt	1	MY50-16C-Stroke	MY63-16A-Stroke	MY80-16A-Stroke	MY100-16A-Stroke	
15	Dust seal band	1	MY50-16B-Stroke	MY63-16B-Stroke	MY80-16B-Stroke	MY100-16B-Stroke	
16	Belt clamp	1	—	—	—	—	
27	Side scraper	2	MYB50-15CA7165B	MYB63-15CA7166B	MYB80-15CK2470B	MY100-15CK2471B	
34	O-ring	2	KA00402 (ø8.3 x ø4.5 x ø1.9)	KA00777	KA00050	KA00050	14, 15, 16, 27, and 34 are not included in the seal kit. Order them as required with the individual part numbers provided.
30	Scraper	2					
31	Piston seal	2					
32	Cushion seal	2	MY1B50-PS	MY1B63-PS	MY1B80-PS	MY1B100-PS	
33	Tube gasket	2					
35	O-ring	4					

* The seal kit includes 30, 31, 32, 33, and 35. Order the seal kit based on each bore size.

* The seal kit includes a grease pack (10 g).

When 14 and 15 are shipped independently, a grease pack is included. (10 g per 1000 strokes)

Order with one of the following part numbers when only the grease pack is required.

Grease pack part no.: GR-S-010 (10 g), GR-S-020 (20 g)

Note) Two kinds of dust seal bands are available. Since the part number varies depending on the treatment of the hexagon socket head set screw 23, confirm before ordering.

A: Black zinc chromated → MY□□-16B-stroke, B: Nickel plated → MY□□-16BW-stroke