

# CY3R Series

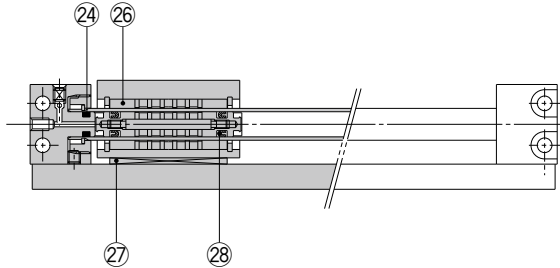
ø6, ø10, ø15, ø20  
ø25, ø32, ø40, ø50  
ø63



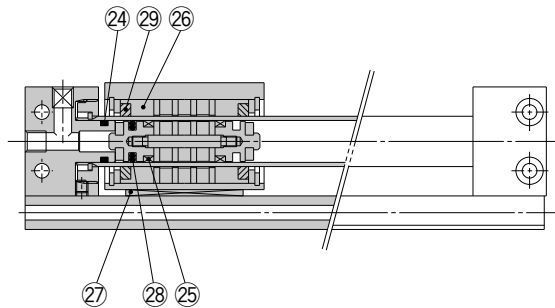
## Construction

### Both sides piping type

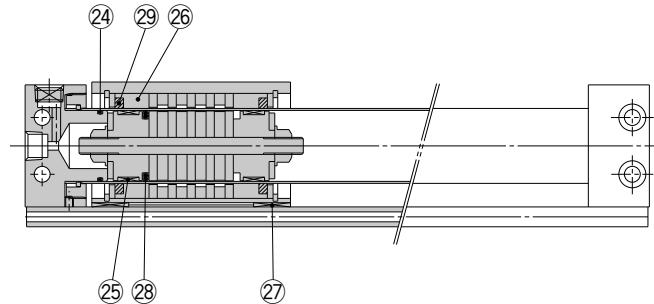
#### CY3R6



#### CY3R10



#### CY3R15 to 63



\* The numbers correspond with those in the "Construction" of the CY3R series in the Best Pneumatics catalog.

### Seal Kit List

No.	Description	Material	Note
24	Cylinder tube gasket	NBR	For the both sides piping type, 30 is not included in the seal kit.
25	Wear ring A	Special resin	
26	Wear ring B	Special resin	
27	Wear ring C	Special resin	
28	Piston seal	NBR	
29	Lube-retainer	Special resin	
30	Switch rail gasket	NBR	

### Replacement Parts/Seal Kit

Bore size (mm)	Part no.	Contents
6	CY3R6-PS	Set of nos. 24, 26, 27, 28
10	CY3R10-PS	Set of nos. 24, 26, 27, 28, 29, 30
15	CY3R15-PS	Set of nos. 24, 25, 26, 27, 28, 29, 30
20	CY3R20-PS	
25	CY3R25-PS	
32	CY3R32-PS	
40	CY3R40-PS	
50	CY3R50-PS	
63	CY3R63-PS	

\* The seal kit includes a grease pack (ø6, ø10: 5 and 10 g, ø15 to ø63: 10 g).  
Order with one of the following part numbers when only the grease pack is required.

Grease pack part no. for ø6, ø10: **GR-F-005** (5 g) for external sliding sections  
**GR-S-010** (10 g) for tubing interior

Grease pack part no. for ø15 to ø63: **GR-S-010** (10 g)

Note 1) Seal kits are the same for both the both sides piping type and the centralized piping type.

Note 2) Seal kits are sets consisting of numbers 24 through 30. Order the seal kit based on each bore size.

Note 3) For wear ring A, ø10, please consult with SMC.

# CY3R Series

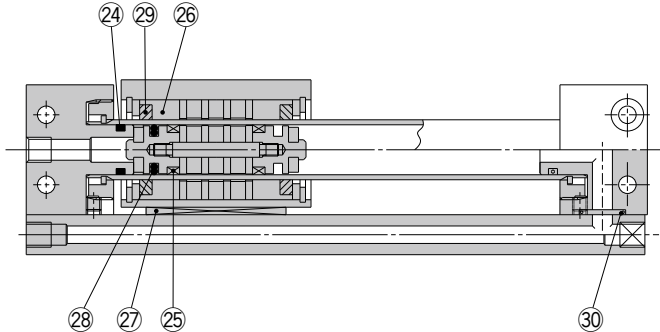
ø6, ø10, ø15, ø20  
ø25, ø32, ø40, ø50  
ø63

The Replacement Procedure is on p. 349

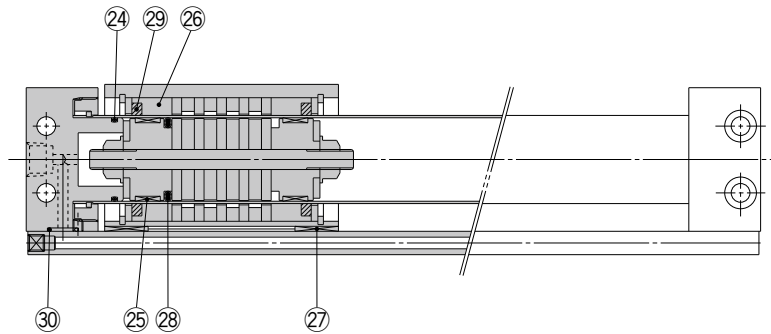
## Construction

### Centralized piping type

#### CY3RG10



#### CY3RG15 to 63



\* The numbers correspond with those in the "Construction" of the CY3R series in the Best Pneumatics catalog.

### Seal Kit List

No.	Description	Material	Note
24	Cylinder tube gasket	NBR	For the both sides piping type, 30 is not included in the seal kit.
25	Wear ring A	Special resin	
26	Wear ring B	Special resin	
27	Wear ring C	Special resin	
28	Piston seal	NBR	
29	Lube-retainer	Special resin	
30	Switch rail gasket	NBR	

### Replacement Parts: Seal Kit

Bore size (mm)	Part no.	Contents		
10	CY3R10-PS	Set of nos. 24, 26, 27, 28, 29, 30		
		15	CY3R15-PS	Set of nos. 24, 25, 26, 27, 28, 29, 30
		20	CY3R20-PS	
		25	CY3R25-PS	
32	CY3R32-PS			
40	CY3R40-PS			
50	CY3R50-PS	Set of nos. 24, 25, 26, 27, 28, 29, 30		
63	CY3R63-PS			

Note 1) Seal kits are the same for both the both sides piping type and the centralized piping type.

Note 2) Seal kits are sets consisting of numbers 24 through 30. Order the seal kit based on each bore size.

Note 3) For wear ring A, ø10, please consult with SMC.

\* The seal kit includes a grease pack (ø6, ø10: 5 and 10 g, ø15 to ø63: 10 g). Order with one of the following part numbers when only the grease pack is required.

**Grease pack part no. for ø6, ø10: GR-F-005 (5 g) for external sliding sections**  
**GR-S-010 (10 g) for tubing interior**

**Grease pack part no. for ø15 to ø63: GR-S-010 (10 g)**

Actuators

Modular F.R.L.  
Pressure Control Equipment

Air Preparation  
Equipment

Industrial Filters

Replacement  
Procedure

Actuators

Modular F.R.L.  
Pressure Control Equipment

Industrial Filters