

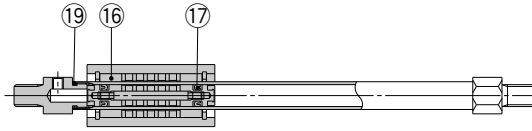
CY3B Series

ø6, ø10, ø15, ø20, ø25
ø32, ø40, ø50, ø63

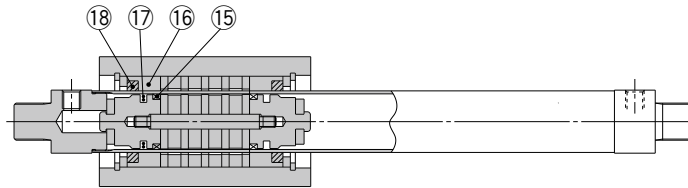


Construction

Basic type
CY3B6

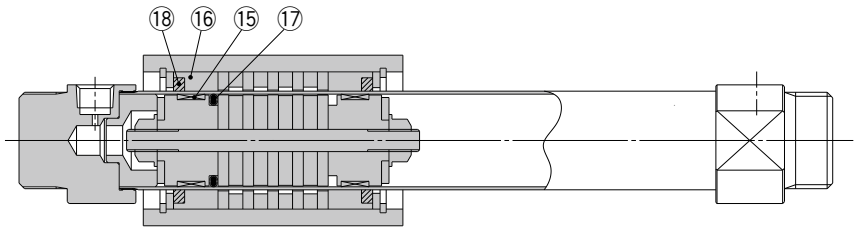


CY3B10, 15

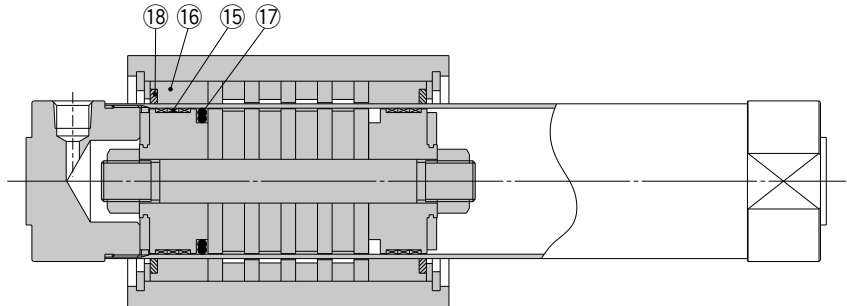


* The above drawing is ø15. (3 magnets are used in ø10.)

CY3B20 to 40



CY3B50, 63



* The numbers correspond with those in the "Construction" of the CY3B series in the Best Pneumatics catalog.

Seal Kit List

No.	Description	Material	Note
15	Wear ring A	Special resin	
16	Wear ring B	Special resin	
17	Piston seal	NBR	
18	Lube-retainer	Special resin	
19	Cylinder tube gasket	NBR	

* The seal kit includes a grease pack (ø6, ø10: 5 and 10 g, ø15 to ø63: 10 g). Order with one of the following part numbers when only the grease pack is required.

Grease pack part no. for ø6, ø10: GR-F-005 (5 g) for external sliding sections
GR-S-010 (10 g) for tubing interior

Grease pack part no. for ø15 to ø63: GR-S-010 (10 g)

Replacement Parts/Seal Kit

Bore size (mm)	Part no.	Contents
6	CY3B6-PS	Set of nos. 16, 17, 19
10	CY3B10-PS	Set of nos. 16, 17, 18, 19
15	CY3B15-PS	Set of nos. 15, 16, 17, 18
20	CY3B20-PS	
25	CY3B25-PS	
32	CY3B32-PS	
40	CY3B40-PS	
50	CY3B50-PS	
63	CY3B63-PS	

Note 1) Seal kits are sets consisting of numbers 15 through 19. Order the seal kit based on each bore size.

Note 2) Adhesive glue is applied to the thread fixed section of the head cover and cylinder tube. Contact SMC if the head cover removal is difficult.

Note 3) For wear ring A, ø10, please consult with SMC.