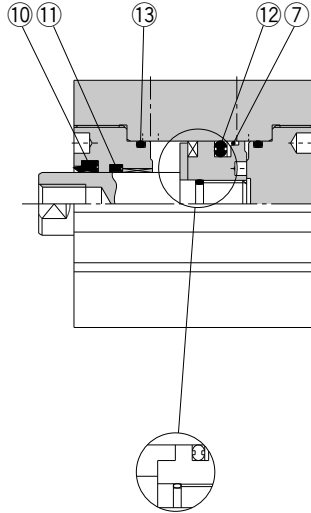


CH□KD Series

ø20, ø25
ø32, ø40
ø50, ø63
ø80, ø100



Construction



Without auto switch

* The numbers correspond with those in the "Construction" of the CH□KD series in the Best Pneumatics catalog.

Seal Kit List

No.	Description	Material	Note
⑦	Back-up ring	Resin	
⑩	Scraper	NBR	
⑪	Rod seal		
⑫	Piston seal		
⑬	Tube gasket		

Replacement Parts: Seal Kit

Bore size (mm)	Part no.	Content
20	CHKD20-PS	Set of nos. ⑦, ⑩, ⑪, ⑫, ⑬
25	CHKD25-PS	
32	CHKD32-PS	
40	CHKD40-PS	
50	CHKD50-PS	
63	CHKD63-PS	
80	CHKD80-PS	
100	CHKD100-PS	

* The seal kit consists of items ⑦, ⑩, ⑪, ⑫ and ⑬, and can be ordered by using the seal kit number for each bore size.

* Special tools are necessary for disassembly. Contact SMC for recommended tool designs and dimensions. Furthermore, ø80 and ø100 are tightened with a large tightening torque, so disassembly will be difficult. Contact SMC if disassembly is required.