

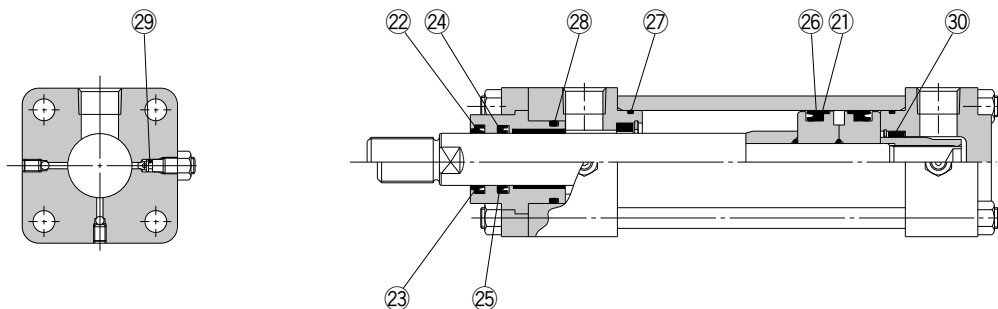
JIS Standard Hydraulic Cylinder/Double Acting, Single Rod

CH2E/CH2F/CH2G/CH2H Series

ø32, ø40
ø50, ø63
ø80, ø100

The Replacement Procedure is on p. 429

Construction



* The numbers correspond with those in the "Construction" of the CH2E/CH2F/CH2G/CH2H series in the Best Pneumatics catalog.

Seal Kit List

No.	Description	Material	Note
①	Back-up ring	Resin	
②	Scraper (B-series rod)	NBR	
③	Scraper (C-series rod)	NBR	
④	Rod seal (B-series rod)	NBR	
⑤	Rod seal (C-series rod)	NBR	
⑥	Piston seal	NBR	
⑦	Cylinder tube gasket	NBR	
⑧	Holder gasket	NBR	
⑨	Cushion valve seal	NBR	
⑩	Cushion seal	—	

Replacement Parts: Seal Kit

Bore size (mm)	Part no.		Content
	B-series rod	C-series rod	
32	CH2E32B-PS	/	
	CH2F32B-PS		
	CH2G32B-PS		
	CH2H32B-PS		
40	CH2E40B-PS	CH2E40C-PS	
	CH2F40B-PS	CH2F40C-PS	
	CH2G40B-PS	CH2G40C-PS	
	CH2H40B-PS	CH2H40C-PS	
50	CH2E50B-PS	CH2E50C-PS	B-series rod: Set of nos. ①, ②, ④, ⑥, ⑦, ⑧, ⑨, ⑩
	CH2F50B-PS	CH2F50C-PS	
	CH2G50B-PS	CH2G50C-PS	
	CH2H50B-PS	CH2H50C-PS	
63	CH2E63B-PS	CH2E63C-PS	C-series rod: Set of nos. ①, ③, ⑤, ⑥, ⑦, ⑧, ⑨, ⑩
	CH2F63B-PS	CH2F63C-PS	
	CH2G63B-PS	CH2G63C-PS	
	CH2H63B-PS	CH2H63C-PS	
80	CH2E80B-PS	CH2E80C-PS	
	CH2F80B-PS	CH2F80C-PS	
	CH2G80B-PS	CH2G80C-PS	
	CH2H80B-PS	CH2H80C-PS	
100	CH2E100B-PS	CH2E100C-PS	
	CH2F100B-PS	CH2F100C-PS	
	CH2G100B-PS	CH2G100C-PS	
	CH2H100B-PS	CH2H100C-PS	

* The seal kit consists of items ① through ⑩ and can be ordered by using the seal kit number for each bore size.

Actuators

Modular F.R.L.
Pressure Control Equipment

Air Preparation
Equipment

Industrial Filters

Replacement
Procedure

Actuators

Modular F.R.L.
Pressure Control Equipment

Industrial Filters