

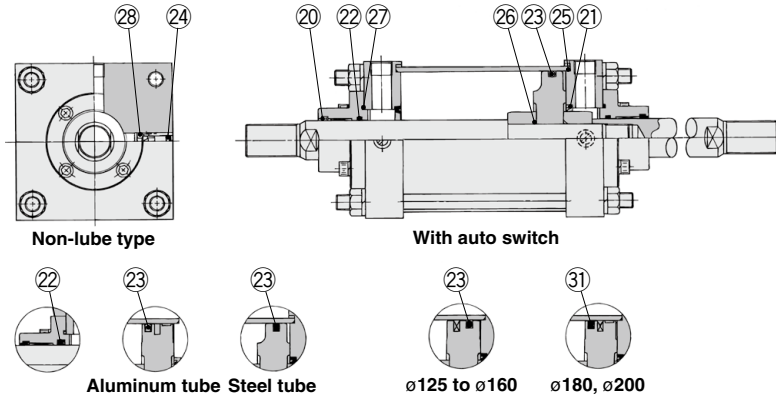
CS1W Series

Lube, Non-lube Type:
 ø125, ø140, ø160, ø180
 ø200, ø250, ø300
Air-hydro Type:
 ø125, ø140, ø160

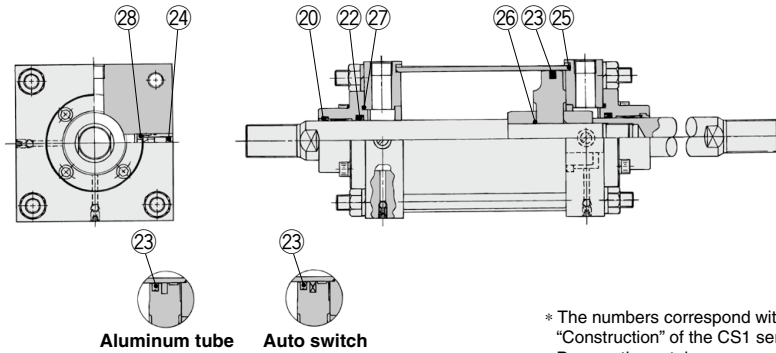
The Replacement Procedure is on p. 320

Construction

Lube, non-lube with auto switch



Air-hydro



* The numbers correspond with those in the "Construction" of the CS1 series in the Best Pneumatics catalog.

Seal Kit List

No.	Description	Material	Note
20	Wiper ring	NBR	21, 26 and 28 are non-replaceable parts, so they are not included in the seal kit.
21	Cushion seal		
22	Rod seal		
23	Piston seal		
31	Valve seal		
24	Tube gasket		
25	Piston gasket		
26	Retaining plate gasket		
27	Guide gasket		

Replacement Parts: Seal Kit

Bore size (mm)	Part no.	Contents
Lube		
125	CS1W-125A-PS	Component part numbers: 20, 22, 23, 24, 25, 27
140	CS1W-140A-PS	
160	CS1W-160A-PS	
180	CS1W-180A-PS	
200	CS1W-200A-PS	
250	CS1W-250A-PS	
300	CS1W-300A-PS	

* The seal kit includes a grease pack (ø125 to ø160: 40 g, ø180 and ø200: 50 g, ø250 and ø300: 60 g). Order with one of the following part numbers when only the grease pack is required.

Grease pack part no.: GR-S-010 (10 g), GR-S-020 (20 g)

Replacement Parts: Seal Kit

Bore size (mm)	Part no.	Contents
Non-lube with auto switch		
125	CS1WN125A-PS	Component part numbers: 20, 22, 23, 24, 25, 27
140	CS1WN140A-PS	
160	CS1WN160A-PS	
180	CS1WN180A-PS	
200	CS1WN200A-PS	
250 ^{Note)}	CS1WN250A-PS	
300 ^{Note)}	CS1WN300A-PS	
Lube with auto switch		
125	CS1W-125A-PS	Component part numbers: 20, 22, 24, 25, 27, 31
140	CS1W-140A-PS	
160	CS1W-160A-PS	
180	CDS1W180A-PS	
200	CDS1W200A-PS	

Note) It is not available with auto switch.

* The seal kit includes a grease pack (ø125 to ø160: 40 g, ø180 and ø200: 50 g, ø250 and ø300: 60 g). Order with one of the following part numbers when only the grease pack is required.

Grease pack part no.: GR-S-010 (10 g), GR-S-020 (20 g)

Air-hydro

Bore size (mm)	Part no.	Contents
125	CS1WH125A-PS	Component part numbers: 20, 22, 23, 24, 25, 27
140	CS1WH140A-PS	
160	CS1WH160A-PS	

Actuators

Modular F.R.L.
Pressure Control Equipment

Air Preparation Equipment

Industrial Filters

Replacement Procedure

Actuators

Modular F.R.L.
Pressure Control Equipment

Industrial Filters