

# Air Cylinder/Standard Type: Double Acting, Double Rod

# CA2W Series

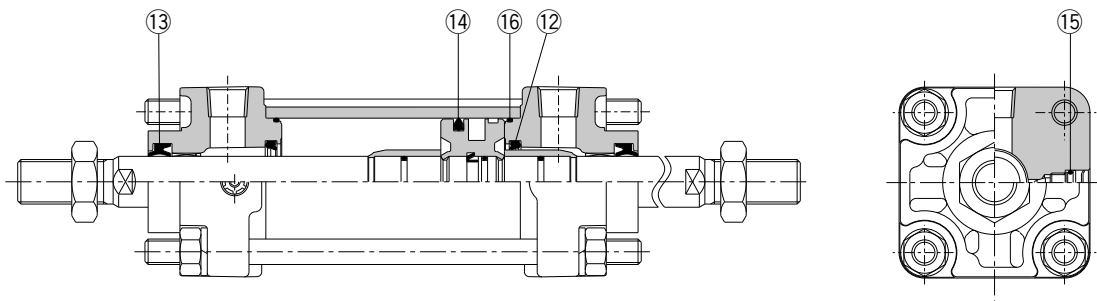
ø40, ø50, ø63  
ø80, ø100

The Replacement Procedure is on p. 317

## Construction

The production of this series has been discontinued. Check the following before ordering.

- New series CA2W-Z → p. 60
- Checking whether the cylinder is a new or a previous model → p. 563, 564



\* The numbers correspond with those in the "Construction" of the CA2W series in the **Web Catalog**.

### Seal Kit List

No.	Description	Material	Note
12	Cushion seal	Urethane	15 is a non-replaceable part, so it is not included in the seal kit.
13	Rod seal	NBR	
14	Piston seal	NBR	
15	Cushion valve seal	NBR	
16	Cylinder tube gasket	NBR	

### Replacement Parts: Seal Kit

Bore size (mm)	Part no.	Contents
40	MBW40-PS	Set of nos. 12, 13, 14, 16
50	MBW50-PS	
63	MBW63-PS	
80	MBW80-PS	
100	MBW100-PS	

- \* Do not disassemble the trunnion type.
- \* The seal kit includes 12, 13, 14 and 16. Order the seal kit based on each bore size.
- \* The seal kit includes a grease pack (ø40, ø50: 10 g, ø63, ø80: 20 g, ø100: 30 g). Order with one of the following part numbers when only the grease pack is required.  
**Grease pack part no.: GR-S-010 (10 g), GR-S-020 (20 g)**

Actuators

Modular F.R.L.  
Pressure Control Equipment

Air Preparation Equipment

Industrial Filters

Replacement Procedure

Actuators

Modular F.R.L.  
Pressure Control Equipment

Industrial Filters