

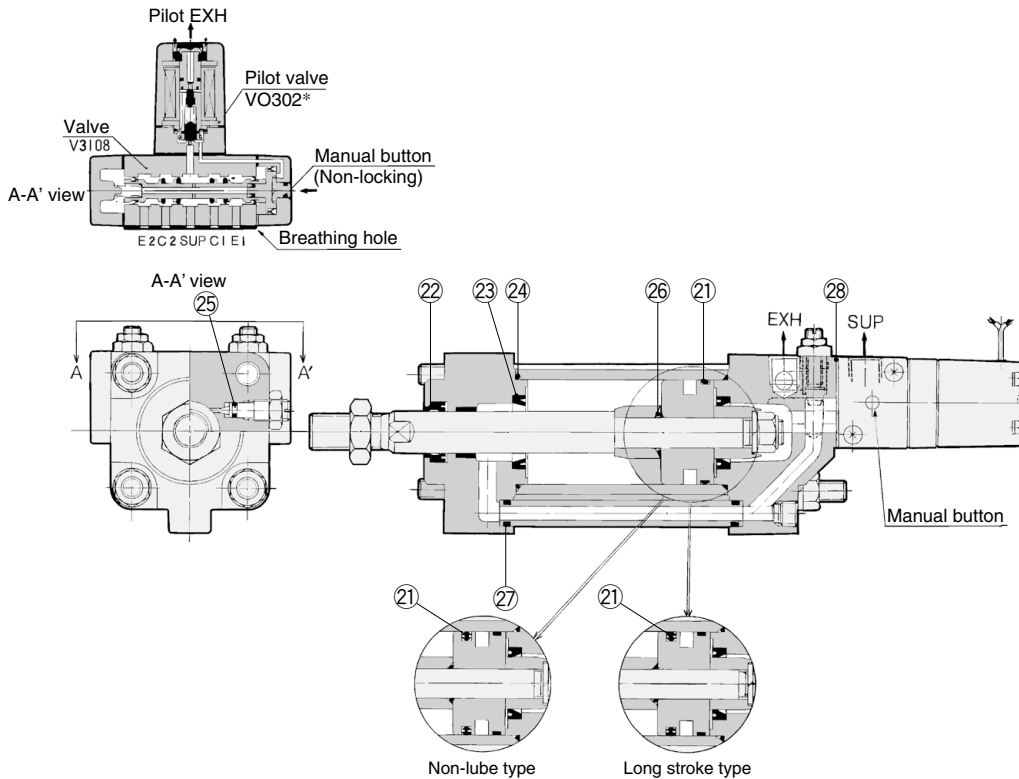
Valve Mounted Cylinder/Double Acting

CV3 Series

Lube, Non-lube type:
 ø40, ø50, ø63, ø80, ø100

Construction

Lube type



* The numbers correspond with those in the "Construction" of the CV3 series in the Best Pneumatics catalog.

Seal Kit List

| No. | Description | Material | Note |
|-----|----------------------|----------|--|
| 21 | Piston seal | NBR | 23 and 26 are non-replaceable parts, so they are not included in the seal kit. |
| 22 | Rod seal | | |
| 23 | Cushion seal | | |
| 24 | Cylinder tube gasket | | |
| 25 | Cushion valve seal | | |
| 26 | Piston gasket | | |
| 27 | Pipe gasket | | |
| 28 | Head cover gasket | | |

Replacement Parts: Seal Kit

| Bore size (mm) | Part no. | Contents |
|----------------------|------------|---------------------------------------|
| Lube type | | |
| 40 | CV3-40-PS | Set of nos. 21, 22, 24, 25, 27, 28 |
| 50 | CV3-50-PS | |
| 63 | CV3-63-PS | |
| 80 | CV3-80-PS | |
| 100 | CV3-100-PS | |
| Non-lube type | | |
| 40 | CV3N40-PS | Set of nos. 21, 22, 24, 25, 27, 28 |
| 50 | CV3N50-PS | |
| 63 | CV3N63-PS | |
| 80 | CV3N80-PS | |
| 100 | CV3N100-PS | |

* The seal kit includes 21, 22, 24, 25, 27, 28. Order the seal kit based on each bore size.

* The seal kit includes a grease pack (ø40, ø50: 10 g, ø63, ø80: 20 g, ø100: 30 g).

Order with one of the following part numbers when only the grease pack is required.

Grease pack part no.: GR-S-010 (10 g), GR-S-020 (20 g)