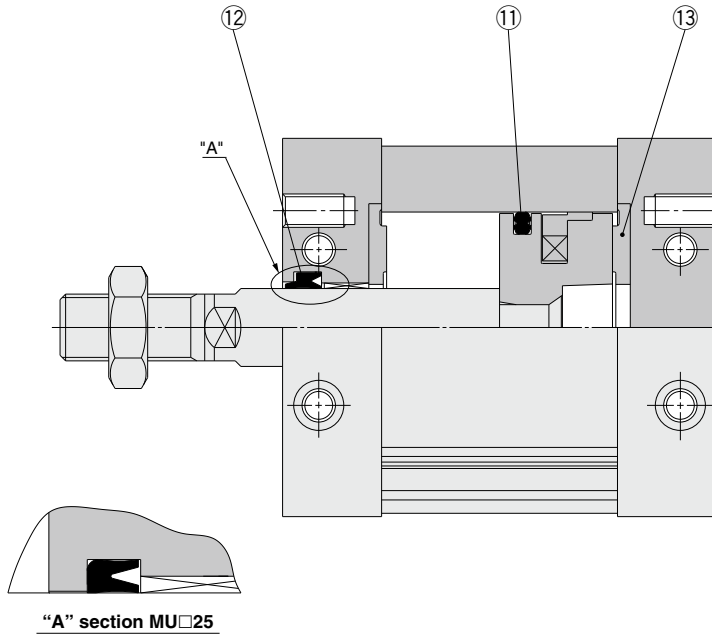


# MU Series ø25, ø32, ø40, ø50, ø63

## Construction



\* The numbers correspond with those in the "Construction" of the MU series in the Best Pneumatics catalog.

### Seal Kit List

No.	Description	Material	Note
①	Piston seal	NBR	
⑫	Rod seal	NBR	
⑬	Bumper	Urethane	

### Replacement Parts: Seal Kit

Bore size (mm)	Part no.	Contents
25	MUB25-PS	Set of nos. ①, ⑫, ⑬
32	MUB32-PS	
40	MUB40-PS	
50	MUB50-PS	
63	MUB63-PS	

\* The seal kit includes ① to ⑬. Order the seal kit based on each bore size.

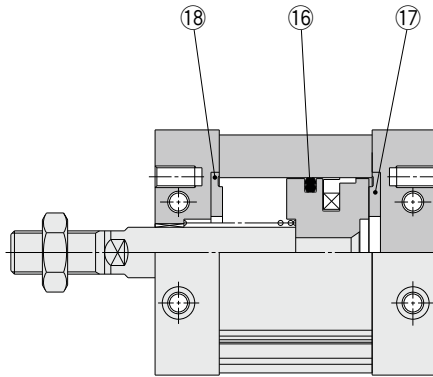
\* Since the seal kit does not include a grease pack, it should be ordered separately.

**Grease pack part no.: GR-S-010 (10 g)**

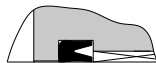
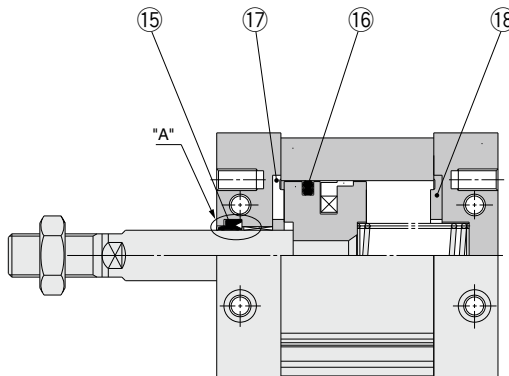
# MU Series ø25, ø32, ø40, ø50, ø63

## Construction

### Spring return



### Spring extend



"A" section MU□25

\* The numbers correspond with those in the "Construction" of the MU series in the Best Pneumatics catalog.

### Seal Kit List

No.	Description	Material	Note
15	Rod seal	NBR	
16	Piston seal	NBR	
17	Bumper	Urethane	
18	Bumper B	Urethane	

### Replacement Parts: Seal Kit

Bore size (mm)	Part no.		Contents
	Spring return	Spring extend	
25	MU25S-PS	MU25T-PS	For spring return type: 16, 17, 18 as a set
32	MU32S-PS	MU32T-PS	
40	MU40S-PS	MU40T-PS	For spring extend type: 15, 16, 17, 18 as a set
50	MU50S-PS	MU50T-PS	
63	MU63S-PS	MU63T-PS	

\* The seal kit includes 15, 16, 17, 18 (excluding 15 for spring return type). Order them with a part number for each bore size.

\* Since the seal kit does not include a grease pack, it should be ordered separately.

Grease pack part no.: GR-S-010 (10 g)