

Heavy Duty Stopper Cylinder

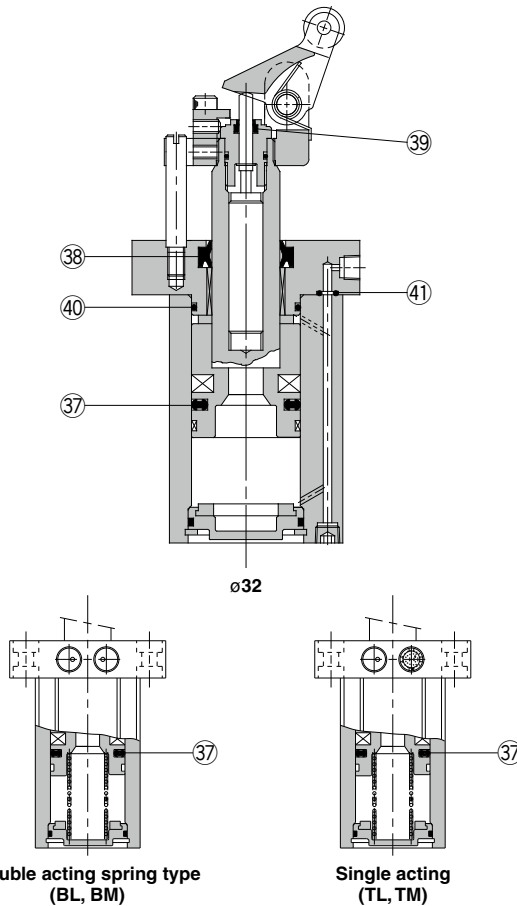
RSH Series $\varnothing 20, \varnothing 32$

The Replacement Procedure is on p. 420

Construction

$\varnothing 20, \varnothing 32$

Double acting (DL, DM)



* The numbers correspond with those in the "Construction" of the RSH/RS1H series in the Best Pneumatics catalog.

Seal Kit List

No.	Description	Material	Note
37	Piston seal	NBR	38 is a non-replaceable part, so it is not included in the seal kit.
38	Rod seal		
39	Scraper		
40	Tube gasket		
41	O-ring		

Replacement Parts: Shock Absorber

Bore size (mm)	Part no.
20	RSH-R20
32	RSH-R32

Replacement Parts: Seal Kit

Bore size (mm)	Part no.			Contents
	Double acting	Double acting spring type	Single acting	
20	RSH20D-PS	RSH20T-PS		Set of nos. 37, 39, 40, 41
32	RSH32D-PS	RSH32T-PS		

* The seal kit includes 37, 39, 40, 41 for $\varnothing 20$ to $\varnothing 32$. Order the seal kit based on each bore size.

* Since the seal kit does not include a grease pack, it should be ordered separately.

Grease pack part no.: GR-S-010 (10 g)

Actuators

Modular F.R.L.
Pressure Control Equipment

Air Preparation
Equipment

Industrial Filters

Replacement
Procedure

Actuators

Modular F.R.L.
Pressure Control Equipment

Industrial Filters