

# MGPW Series

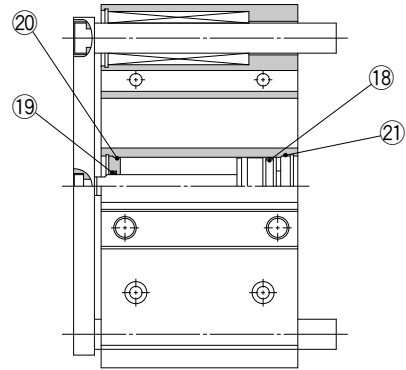
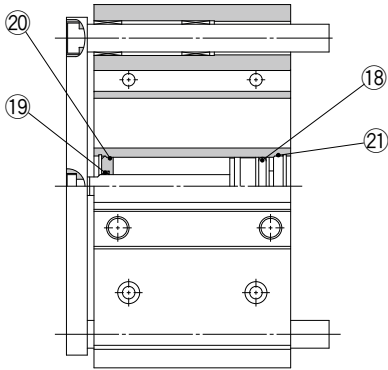
ø20, ø25, ø32  
ø40, ø50, ø63



## Construction: MGPWM, MGPWL, MGPWA Series

MGPWM20 to 63

MGPWL20 to 63  
MGPWA20 to 63



\* The numbers correspond with those in the "Construction" of the MGPW series in the Best Pneumatics catalog.

### Seal Kit List

No.	Description	Material	Note
18	Piston seal	NBR	
19	Rod seal		
20	Gasket A		
21	Gasket B		

### Replacement Parts: Seal Kit

Bore size (mm)	Part no.	Contents	Bore size (mm)	Part no.	Contents
20	MGP20-Z-PS	Set of nos. 18, 19, 20, 21	40	MGP40-Z-PS	Set of nos. 18, 19, 20, 21
25	MGP25-Z-PS	18, 19, 20, 21	50	MGP50-Z-PS	18, 19, 20, 21
32	MGP32-Z-PS	18, 19, 20, 21	63	MGP63-Z-PS	18, 19, 20, 21

\* The seal kit includes 18 to 21. Order the seal kit based on each bore size.

\* Since the seal kit does not include a grease pack, it should be ordered separately.

Grease pack part no.: GR-S-010 (10 g)