

# Compact Guide Cylinder

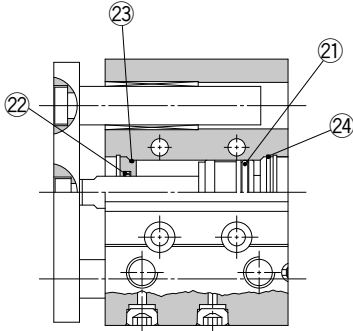
# MGP-Z Series

ø12, ø16, ø20, ø25  
ø32, ø40, ø50  
ø63, ø80, ø100

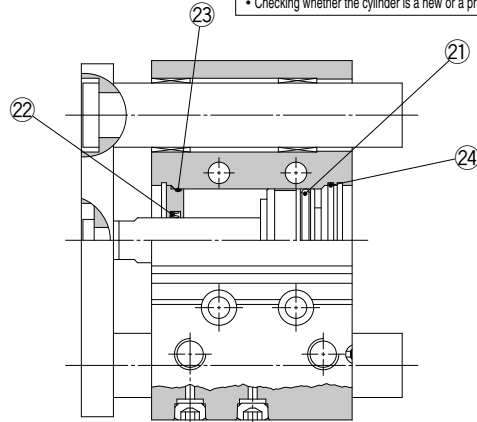
The Replacement Procedure is on p. 366

## Construction: MGPM, MGPL, MGPA Series

### MGPM12 to 25



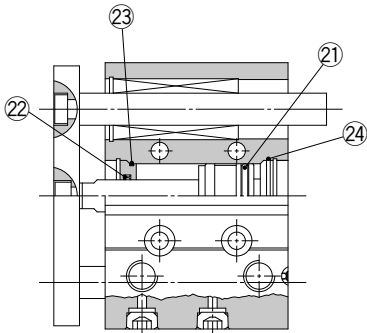
### MGPM32 to 100



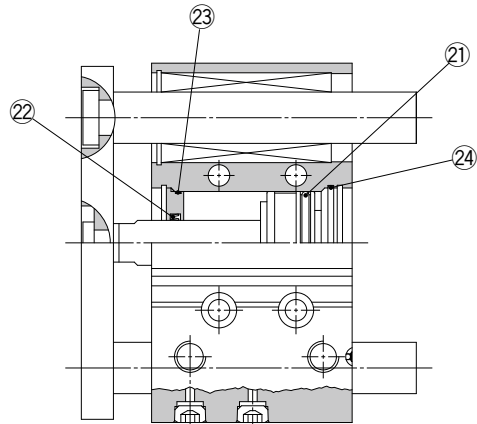
The products in this series are refreshed products. Check the following before ordering.

- Previous series (Discontinued product) MGP → p. 154
- Checking whether the cylinder is a new or a previous model → p. 563, 564

### MGPL12 to 25 MGPA12 to 25



### MGPL32 to 100 MGPA32 to 100



\* The numbers correspond with those in the "Construction" of the MGP series in the Best Pneumatics catalog.  
\* Refer to page 242 for replacement parts/seal kit and grease pack part numbers of Made-to-Order common specifications (-XB□, -XC□).

### Seal Kit List

No.	Description	Material	Note
①	Piston seal	NBR	
②	Rod seal		
③	Gasket A		
④	Gasket B		

### Replacement Parts: Seal Kit

Bore size (mm)	Part no.	Contents	Bore size (mm)	Part no.	Contents
12	MGP12-Z-PS	Set of nos. ①, ②, ③, ④	40	MGP40-Z-PS	Set of nos. ①, ②, ③, ④
16	MGP16-Z-PS		50	MGP50-Z-PS	
20	MGP20-Z-PS		63	MGP63-Z-PS	
25	MGP25-Z-PS		80	MGP80-Z-PS	
32	MGP32-Z-PS		100	MGP100-Z-PS	

\* The seal kit includes ① to ④. Order the seal kit based on each bore size.  
\* Since the seal kit does not include a grease pack, it should be ordered separately.

Grease pack part no.: GR-S-010 (10 g)

Actuators

Modular F.R.L.  
Pressure Control Equipment

Air Preparation Equipment

Industrial Filters

Replacement Procedure

Actuators

Modular F.R.L.  
Pressure Control Equipment

Industrial Filters

# Compact Guide Cylinder/With Air Cushion

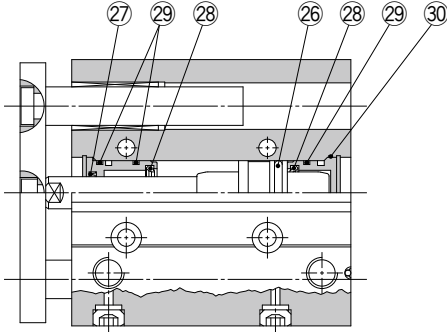
# MGP-□-AZ Series

∅16, ∅20, ∅25  
∅32, ∅40, ∅50  
∅63, ∅80, ∅100

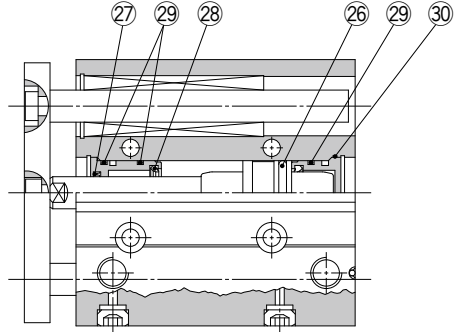


## Construction: MGPM-A, MGPL-A, MGPA-A Series

### MGPM



### MGPL MGPA



The products in this series are refreshed products. Check the following before ordering.

- Previous series (Discontinued product) MGP-□A → p. 155
- Checking whether the cylinder is a new or a previous model → p. 563, 564

\* The numbers correspond with those in the "Construction" of the MGP series in the Best Pneumatics catalog.

### Seal Kit List

No.	Description	Material	Note
26	Piston seal	NBR	
27	Rod seal	NBR	
28	Cushion seal	Urethane	
29	Gasket A	NBR	
30	Gasket B	NBR	

### Replacement Parts: Seal Kit

Bore size (mm)	Part no.	Contents	Bore size (mm)	Part no.	Contents
16	MGP16-AZ-PS	Set of nos. 26, 27, 28, 29, 30	50	MGP50-AZ-PS	Set of nos. 26, 27, 28, 29, 30
20	MGP20-AZ-PS		63	MGP63-AZ-PS	
25	MGP25-AZ-PS		80	MGP80-AZ-PS	
32	MGP32-AZ-PS		100	MGP100-AZ-PS	
40	MGP40-AZ-PS				

\* The seal kit includes 26 to 30. Order the seal kit based on each bore size.  
\* Since the seal kit does not include a grease pack, it should be ordered separately.

Grease pack part no.: GR-S-010 (10 g)