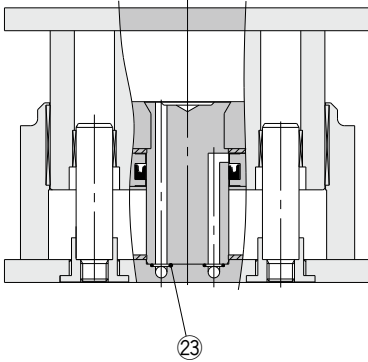
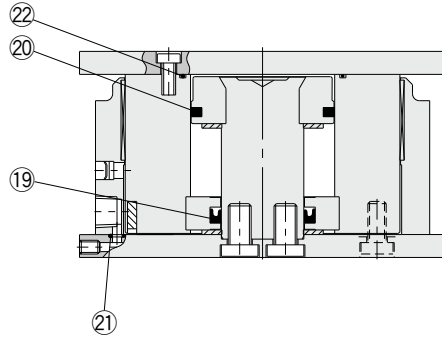


Construction



When the cylinder is extended



When the cylinder is retracted

* The numbers correspond with those in the "Construction" of the MGF series in the Best Pneumatics catalog.

Seal Kit List

No.	Description	Material	Note
19	Rod seal	NBR	
20	Piston seal		
21	O-ring A		
22	O-ring B		
23	O-ring C		

Replacement Parts: Seal Kit

Bore size (mm)	Part no.	Contents
40	MGF40-PS	Set of nos. 19, 20, 21, 22, 23
63	MGF63-PS	
100	MGF100-PS	

* The seal kit is not compatible with the clean series.
 The seal kit includes 19 to 23. Order the seal kit based on each bore size.
 * Since the seal kit does not include a grease pack, it should be ordered separately.

Grease pack part no.: GR-L-010 (10g)