

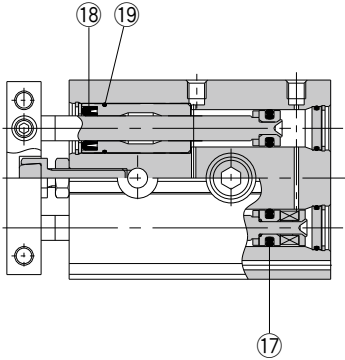
CXSJ Series

∅6, ∅10, ∅15, ∅20
∅25, ∅32

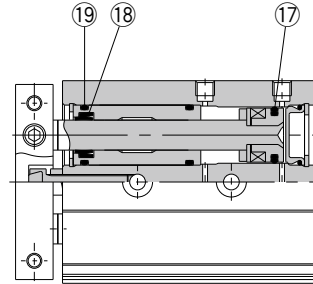
The Replacement Procedure is on p. 372

Construction

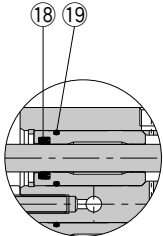
CXSJM (Slide bearing)
CXSJM6



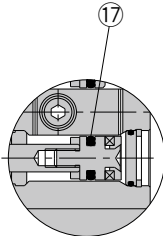
CXSJM15



CXSJM10

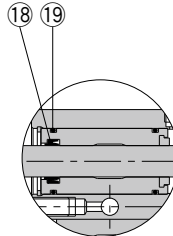


Rod cover

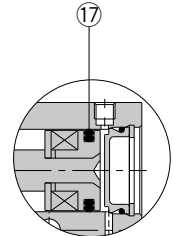


Piston rod B-side piston

CXSJM20 to 32



Rod cover



Head cover

* The numbers correspond with those in the "Construction" of the CXSJ series in the Best Pneumatics catalog.

Seal Kit List

No.	Description	Material	Note
17	Piston seal	NBR	
18	Rod seal		
19	O-ring		

Replacement Parts: Seal Kit

Model	Part no.	Contents
CXSJM6	CXSJM6-PS	Set of nos. 17, 18, 19
CXSJM10	CXSJM10-PS	
CXSJM15	CXSM15-PS	
CXSJM20	CXSM20-PS	
CXSJM25	CXSM25-PS	
CXSJM32	CXSM32-PS	

* The seal kit includes 17, 18, and 19. Order the seal kit based on each bore size.

* Since the seal kit does not include a grease pack, it should be ordered separately.

Grease pack part no.: GR-S-010 (10 g)

Actuators

Modular F.R.L.
Pressure Control Equipment

Air Preparation
Equipment

Industrial Filters

Replacement
Procedure

Actuators

Modular F.R.L.
Pressure Control Equipment

Industrial Filters

Dual Rod Cylinder/Compact Type: Ball Bushing Bearing

CXSJ Series

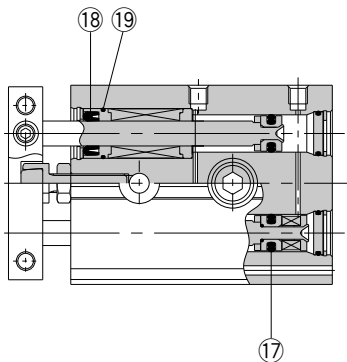
ø6, ø10, ø15, ø20
ø25, ø32

The Replacement Procedure is on p. 372

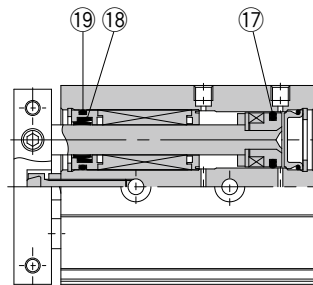
Construction

CXSJL (Ball bushing bearing)

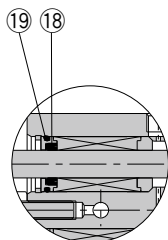
CXSJL6



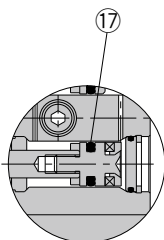
CXSJL15



CXSJL10

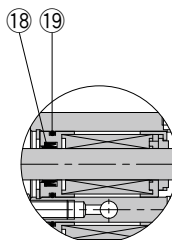


Rod cover

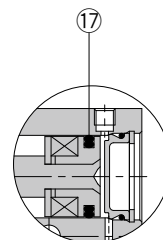


Piston rod B-side piston

CXSJL20 to 32



Rod cover



Head cover

* The numbers correspond with those in the "Construction" of the CXSJ series in the Best Pneumatics catalog.

Seal Kit List

No.	Description	Material	Note
17	Piston seal	NBR	
18	Rod seal		
19	O-ring		

Replacement Parts: Seal Kit

Model	Part no.	Contents
CXSJL6	CXSJL6-PS	Set of nos. 17, 18, 19
CXSJL10	CXSJL10-PS	
CXSJL15	CXSL15APS	
CXSJL20	CXSL20APS	
CXSJL25	CXSL25APS	
CXSJL32	CXSL32APS	

* The seal kit includes 17, 18, and 19. Order the seal kit based on each bore size.

* Since the seal kit does not include a grease pack, it should be ordered separately.

Grease pack part no.: GR-S-010 (10 g)