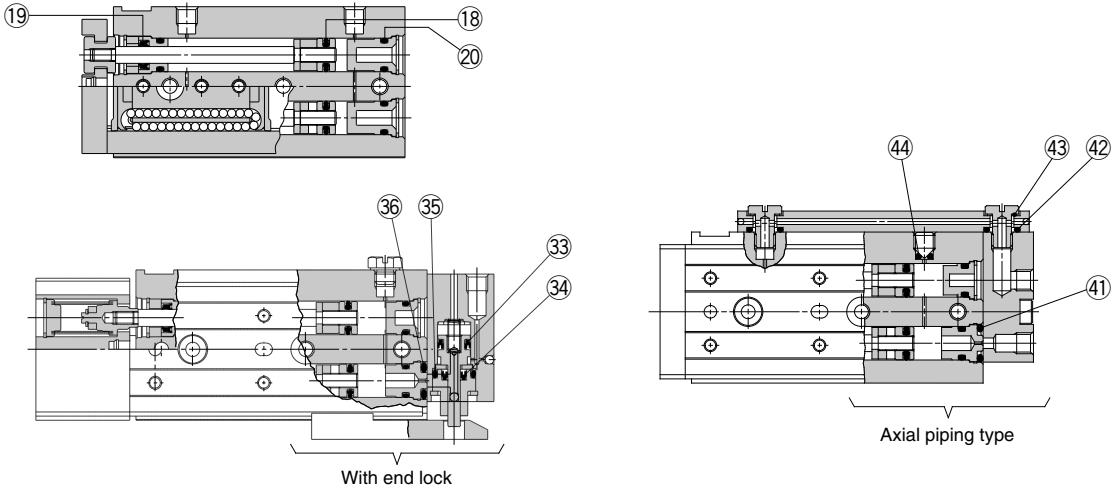


MXQ Series

ø6, ø8, ø12, ø16
ø20, ø25



Construction



* The numbers correspond with those in the "Construction" of the MXQ series in the Best Pneumatics catalog.

Seal Kit List

No.	Description	Material	Note
18	Piston seal	NBR	
19	Rod seal		
20	O-ring		

With end lock

33	Piston seal	NBR	
34	Rod seal		
35	O-ring		
36	O-ring		

Axial piping type

41	O-ring	NBR	
42	O-ring	NBR	
43	Gasket	NBR, Stainless steel	
44	O-ring	NBR	

* The seal kit includes these seals to provide as a set. Order the seal kit based on each bore size.

Replacement Parts: Seal Kit

Bore size (mm)	Part no.	Contents
6	MXQ6-PS	Set of nos. 18, 19, 20
8	MXQ8-PS	
12	MXQ12-PS	
16	MXQ16-PS	
20	MXQ20-PS	
25	MXQ25-PS	

Replacement Parts: Seal Kit for with End Lock

Bore size (mm)	Part no.	Contents
8	MXQ8R-PS	Set of nos. 18, 19, 20, 33, 34, 35, 36
12	MXQ12R-PS	
16	MXQ16R-PS	
20	MXQ20R-PS	
25	MXQ25R-PS	

Replacement Parts: Seal Kit for Axial Piping Type

Bore size (mm)	Part no.	Contents
6	MXQ6P-PS	Set of nos. 18, 19, 20, 41, 42, 43, 44
8	MXQ8P-PS	
12	MXQ12P-PS	
16	MXQ16P-PS	Set of nos. 18, 19, 20, 41, 42, 43
20	MXQ20P-PS	
25	MXQ25P-PS	

Replacement Parts: Grease Pack

Applied section	Grease pack part no.
Guide	GR-S-010 (10 g)
	GR-S-020 (20 g)
Cylinder	GR-L-005 (5 g)
	GR-L-010 (10 g)