

# 5 Rod Boot Assembly Replacement Part Nos.

## CM2(-Z), CM2W(-Z), CM2K(-Z), CM2P, CBM2, CLM2, CVM5(K) Series

### Replacement Parts: Rod Boot Assembly Part Nos.

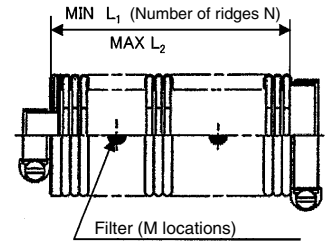
#### 1. Part Nos.

The rod boot cannot be ordered without the assembly.

Rod boot assembly						
φ 20 to 32			φ 40			
J rod boot	C2M020 -	Symbol	67926-R	C2M040 -	Symbol	67928-R
K rod boot	C2M020 -	Symbol	67927-R	C2M040 -	Symbol	67929-R

#### 2. Dimensions 1

Symbol	Stroke (mm)	L1		L2		M		N	
		φ 20 - 40	φ 20 - 40	φ 20 - 40	φ 20 - 40	φ 20 - 32	φ 40		
25A	1-50	12.5	62.5	1	5±0	4±0			
25B	51-100	25	125	2	9±1	7±1			
25C	101-150	37.5	187.5	2	13±1	10±1			
25D	151-200	50	250	3	17±1	13±1			
25E	201-300	75	375	4	25±2	19±2			
25F	301-400	100	500	6	33±2	25±2			
25G	401-500	125	625	8	41±2	31±2			
25H	501-600	150	750	10	49±3	38±3			
25I	601-700	175	875	12	57±3	44±3			
25J	701-800	200	1000	14	65±3	50±3			
25K	801-900	225	1125	16	73±3	56±3			
25L	901-1000	250	1250	16	81±3	62±3			



Note 1) The rod boot is the same for bore sizes ø20 to ø32.  
Note 2) Strokes over 1000 are available as a special order.

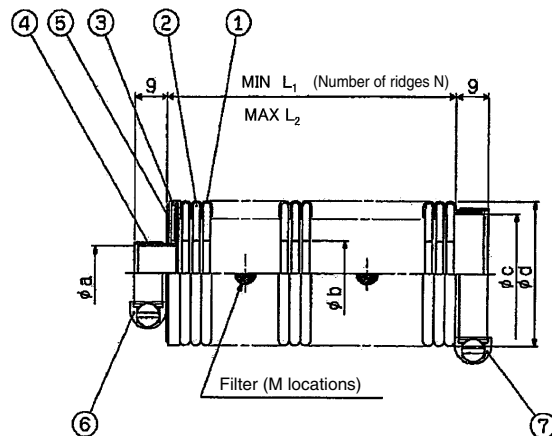
#### 3. Dimensions 2

[mm]

	φ 20 to φ 32	φ 40
a	16	20
b	18	22
c	29	36
d	36	46

#### 4. Component Parts

	Rod boot assembly
①	Rod boot
②	Ring
③	End plate
④	Filter cloth
⑤	Cap
⑥	Rod boot band A
⑦	Rod boot band B



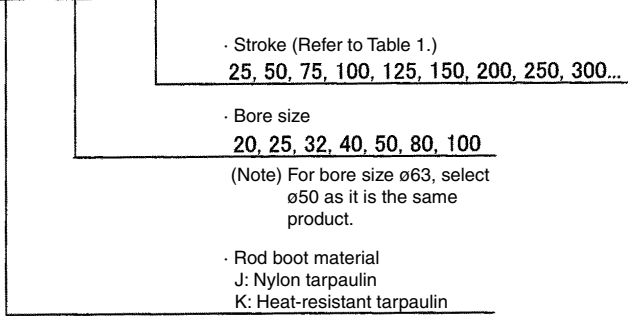
# 5 Rod Boot Assembly Replacement Part Nos.

## CG1(-Z), CG1W(-Z), CBG1, CLG1, CNG Series

### Replacement Parts: Rod Boot Assembly Part Nos.

#### 1. Part Nos.

C G 1 - J 20 - \*



#### 2. Component Parts

- Rod boot: 1 pc.
- Rod boot mounting band: 2 pcs. (Only 1 pc. for ø80 and ø100)

Table 1. Factory Stock Availability by Stroke

Stroke \ Bore size	20		25		32		40		50		80		100	
	J	K	J	K	J	K	J	K	J	K	J	K	J	K
25	O	O	O	O	O	O	O	O	O	O	O	O	O	O
50	O	O	O	O	O	O	O	O	O	O	O	O	O	O
75	O	O	O	O	O	O	O	O	O	O	O	O	O	O
100	O	O	O	O	O	O	O	O	O	O	O	O	O	O
125	O	O	O	O	O	O	O	O	O	O	O	O	O	O
150	O	O	O	O	O	O	O	O	O	O	O	O	O	O
200	O	O	O	O	O	O	O	O	O	O	O	O	O	O
250	X	X	X	X	X	X	X	X	X	X	X	X	X	X
300	X	X	X	X	X	X	X	X	X	X	X	X	X	X
Other strokes	X	X	X	X	X	X	X	X	X	X	X	X	X	X

- O: Factory stock available
- X: Factory stock unavailable/Produced upon receipt of order

Actuators  
 Rotary Actuators  
 Air Grippers  
 Modular F.R.L.  
 Pressure Control Equipment  
 Air Preparation Equipment  
 Industrial Filters  
 Replacement Procedure  
 Actuators  
 Rotary Actuators  
 Air Grippers  
 Modular F.R.L.  
 Pressure Control Equipment  
 Air Preparation Equipment  
 Industrial Filters

# 5 Rod Boot Assembly Replacement Part Nos.

**MB(-Z), MBW(-Z), MBK(-Z), MBKW(-Z), MBB,  
MB1(-Z), MB1W(-Z), MB1K(-Z), MWB(W), MNB(W) Series**

## Replacement Parts: Rod Boot Assembly Part Nos.

### 1. Part Nos. (J: Nylon tarpaulin)

\* For the MBK\*32\*\*J/K(Z) rod boot, order using the rod boot assembly part number on page 247.

Bore size	Stroke			
	1 to 50	51 to 100	101 to 150	151 to 200
φ 32	MB-32GAAA856-R-050	MB-32GAAA856-R-100	MB-32GAAA856-R-150	MB-32GAAA856-R-200
φ 40	C2A40GAEA033-R-050	C2A40GAEA033-R-100	C2A40GAEA033-R-150	C2A40GAEA033-R-200
φ 50	C2A50GAEA034-R-050	C2A50GAEA034-R-100	C2A50GAEA034-R-150	C2A50GAEA034-R-200
φ 63	C2A50GAEA034-R-050	C2A50GAEA034-R-100	C2A50GAEA034-R-150	C2A50GAEA034-R-200
φ 80	MB-80-25AC6216-R	MB-80-25BC6216-R	MB-80-25CC6216-R	MB-80-25DC6216-R
φ 100	C2AA0GAEA037-R-050	C2AA0GAEA037-R-100	C2AA0GAEA037-R-150	C2AA0GAEA037-R-200
φ 125	MB-A2G-EA066-R-050	MB-A2G-EA066-R-100	MB-A2G-EA066-R-150	MB-A2G-EA066-R-200

Bore size	Stroke			
	201 to 300	301 to 400	401 to 500	501 to 600
φ 32	MB-32GAAA856-R-300	MB-32GAAA856-R-400	MB-32GAAA856-R-500	MB-32GAAA856-R-600
φ 40	C2A40GAEA033-R-300	C2A40GAEA033-R-400	C2A40GAEA033-R-500	C2A40GAEA033-R-600
φ 50	C2A50GAEA034-R-300	C2A50GAEA034-R-400	C2A50GAEA034-R-500	C2A50GAEA034-R-600
φ 63	C2A50GAEA034-R-300	C2A50GAEA034-R-400	C2A50GAEA034-R-500	C2A50GAEA034-R-600
φ 80	MB-80-25EC6216-R	MB-80-25FC6216-R	MB-80-25GC6216-R	MB-80-25HC6216-R
φ 100	C2AA0GAEA037-R-300	C2AA0GAEA037-R-400	C2AA0GAEA037-R-500	C2AA0GAEA037-R-600
φ 125	MB-A2G-EA066-R-300	MB-A2G-EA066-R-400	MB-A2G-EA066-R-500	MB-A2G-EA066-R-600

Bore size	Stroke			
	601 to 700	701 to 800	801 to 900	901 to 1000
φ 32	MB-32GAAA856-R-700	MB-32GAAA856-R-800	MB-32GAAA856-R-900	MB-32GAAA856-R-1000
φ 40	C2A40GAEA033-R-700	C2A40GAEA033-R-800	C2A40GAEA033-R-900	C2A40GAEA033-R-A00
φ 50	C2A50GAEA034-R-700	C2A50GAEA034-R-800	C2A50GAEA034-R-900	C2A50GAEA034-R-A00
φ 63	C2A50GAEA034-R-700	C2A50GAEA034-R-800	C2A50GAEA034-R-900	C2A50GAEA034-R-A00
φ 80	MB-80-25IC6216-R	MB-80-25KC6216-R	MB-80-25LC6216-R	MB-80-25MC6216-R
φ 100	C2AA0GAEA037-R-700	C2AA0GAEA037-R-800	C2AA0GAEA037-R-900	C2AA0GAEA037-R-A00
φ 125	MB-A2G-EA066-R-700	MB-A2G-EA066-R-800	MB-A2G-EA066-R-900	MB-A2G-EA066-R-A00

# 5 Rod Boot Assembly Replacement Part Nos.

**MB(-Z), MBW(-Z), MBK(-Z), MBKW(-Z), MBB, MB1(-Z), MB1W(-Z), MB1K(-Z), MWB(W), MNB(W) Series**

## Replacement Parts: Rod Boot Assembly Part Nos.

### 2. Part Nos. (K: Heat-resistant tarpaulin)

Bore size	Stroke			
	1 to 50	51 to 100	101 to 150	151 to 200
φ 32	MB-32GBAA856-R-050	MB-32GBAA856-R-100	MB-32GBAA856-R-150	MB-32GBAA856-R-200
φ 40	C2A40GBEA033-R-050	C2A40GBEA033-R-100	C2A40GBEA033-R-150	C2A40GBEA033-R-200
φ 50	C2A50GBEA034-R-050	C2A50GBEA034-R-100	C2A50GBEA034-R-150	C2A50GBEA034-R-200
φ 63	C2A50GBEA034-R-050	C2A50GBEA034-R-100	C2A50GBEA034-R-150	C2A50GBEA034-R-200
φ 80	MB-80-25AC8056-R	MB-80-25BC8056-R	MB-80-25CC8056-R	MB-80-25DC8056-R
φ 100	C2AA0GBEA037-R-050	C2AA0GBEA037-R-100	C2AA0GBEA037-R-150	C2AA0GBEA037-R-200
φ 125	MB-A2G-AB159-R-050	MB-A2G-AB159-R-100	MB-A2G-AB159-R-150	MB-A2G-AB159-R-200

Bore size	Stroke			
	201 to 300	301 to 400	401 to 500	501 to 600
φ 32	MB-32GBAA856-R-300	MB-32GBAA856-R-400	MB-32GBAA856-R-500	MB-32GBAA856-R-600
φ 40	C2A40GBEA033-R-300	C2A40GBEA033-R-400	C2A40GBEA033-R-500	C2A40GBEA033-R-600
φ 50	C2A50GBEA034-R-300	C2A50GBEA034-R-400	C2A50GBEA034-R-500	C2A50GBEA034-R-600
φ 63	C2A50GBEA034-R-300	C2A50GBEA034-R-400	C2A50GBEA034-R-500	C2A50GBEA034-R-600
φ 80	MB-80-25EC8056-R	MB-80-25FC8056-R	MB-80-25GC8056-R	MB-80-25HC8056-R
φ 100	C2AA0GBEA037-R-300	C2AA0GBEA037-R-400	C2AA0GBEA037-R-500	C2AA0GBEA037-R-600
φ 125	MB-A2G-AB159-R-300	MB-A2G-AB159-R-400	MB-A2G-AB159-R-500	MB-A2G-AB159-R-600

Bore size	Stroke			
	601 to 700	701 to 800	801 to 900	901 to 1000
φ 32	MB-32GBAA856-R-700	MB-32GBAA856-R-800	MB-32GBAA856-R-900	MB-32GBAA856-R-1000
φ 40	C2A40GBEA033-R-700	C2A40GBEA033-R-800	C2A40GBEA033-R-900	C2A40GBEA033-R-A00
φ 50	C2A50GBEA034-R-700	C2A50GBEA034-R-800	C2A50GBEA034-R-900	C2A50GBEA034-R-A00
φ 63	C2A50GBEA034-R-700	C2A50GBEA034-R-800	C2A50GBEA034-R-900	C2A50GBEA034-R-A00
φ 80	MB-80-25IC8056-R	MB-80-25KC8056-R	MB-80-25LC8056-R	MB-80-25MC8056-R
φ 100	C2AA0GBEA037-R-700	C2AA0GBEA037-R-800	C2AA0GBEA037-R-900	C2AA0GBEA037-R-A00
φ 125	MB-A2G-AB159-R-700	MB-A2G-AB159-R-800	MB-A2G-AB159-R-900	MB-A2G-AB159-R-A00

Actuators

Rotary Actuators  
Air Grippers

Modular F.R.L.  
Pressure Control Equipment

Air Preparation  
Equipment

Industrial Filters

Replacement  
Procedure

Actuators

Rotary Actuators  
Air Grippers

Modular F.R.L.  
Pressure Control Equipment

Air Preparation Equipment  
Industrial Filters

# 5 Rod Boot Assembly Replacement Part Nos.

**MB(-Z), MBW(-Z), MBK(-Z), MBKW(-Z), MBB,  
MB1(-Z), MB1W(-Z), MB1K(-Z), MWB(W), MNB(W) Series**

## Replacement Parts: Rod Boot Assembly Part Nos.

For the MBK\*32\*-\*J/K(Z) rod boot, order using the rod boot assembly part number below.

### 3. MBK□32 (J: Nylon tarpaulin)

Bore size	Stroke			
	1 to 50	51 to 100	101 to 150	151 to 200
φ 32	C2M020-25A67926-R	C2M020-25B67926-R	C2M020-25C67926-R	C2M020-25D67926-R
	Stroke			
	201 to 300	301 to 400	401 to 500	501 to 600
	C2M020-25E67926-R	C2M020-25F67926-R	C2M020-25G67926-R	C2M020-25H67926-R
	Stroke			
	601 to 700	701 to 800	801 to 900	901 to 1000
	C2M020-25I67926-R	C2M020-25J67926-R	C2M020-25K67926-R	C2M020-25L67926-R

### 4. MBK□32 (K: Heat-resistant tarpaulin)

Bore size	Stroke			
	1 to 50	51 to 100	101 to 150	151 to 200
φ 32	C2M020-25A67927-R	C2M020-25B67927-R	C2M020-25C67927-R	C2M020-25D67927-R
	Stroke			
	201 to 300	301 to 400	401 to 500	501 to 600
	C2M020-25E67927-R	C2M020-25F67927-R	C2M020-25G67927-R	C2M020-25H67927-R
	Stroke			
	601 to 700	701 to 800	801 to 900	901 to 1000
	C2M020-25I67927-R	C2M020-25J67927-R	C2M020-25K67927-R	C2M020-25L67927-R

# 5 Rod Boot Assembly Replacement Part Nos.

## CA2(-Z), CA2W(-Z), CA2K(W), CBA2, CA(W)□H, CV3(K), CVS1(K), CNA2(W) Series

### Replacement Parts: Rod Boot Assembly Part Nos.

#### 1. Part Nos.

Rod boot part no. — Stroke symbol \*1

(Example) For the CA2T63-1100JZ rod boot → Use the following part number: C2A50GAE034-R-A10

(Note) The part number above includes rod boot bands A and B (1 set).

\*1 Refer to "3." for stroke symbols.

#### 2. Rod Boot Part Nos.

	Rod boot part no. (Excludes F: With rod flange)		Rod boot part no. (F: With rod flange)	
	J rod boot*2	K rod boot*3	J rod boot	K rod boot
φ 40	C2A40GAE033-R	C2A40GBEA033-R	C2A40GCEA033-R	C2A40GDEA033-R
φ 50	C2A50GAE034-R	C2A50GBEA034-R	C2A50GCEA034-R	C2A50GDEA034-R
φ 63	C2A50GAE034-R	C2A50GBEA034-R	C2A50GCEA034-R	C2A50GDEA034-R
φ 80	C2A80GAE036-R	C2A80GBEA036-R	C2A80GCEA036-R	C2A80GDEA036-R
φ 100	C2AA0GAE037-R	C2AA0GBEA037-R	C2AA0GCEA037-R	C2AA0GDEA037-R

\*2 J rod boot: Nylon tarpaulin

\*3 K rod boot: Heat-resistant tarpaulin

Actuators

Rotary Actuators  
Air Grippers

Modular F.R.L.  
Pressure Control Equipment

Air Preparation  
Equipment

Industrial Filters

Replacement  
Procedure

Actuators

Rotary Actuators  
Air Grippers

Modular F.R.L.  
Pressure Control Equipment

Air Preparation Equipment  
Industrial Filters

# 5 Rod Boot Assembly Replacement Part Nos.

## CA2(-Z), CA2W(-Z), CA2K(W), CBA2, CA(W)□H, CV3(K), CVS1(K), CNA2(W) Series

### Replacement Parts: Rod Boot Assembly Part Nos.

#### 3. Rod Boot Strokes with Factory Stock Available

For ø40

Rod boot stroke	25	50	75	100	125	150	175	200	250	300	350	400	500
Stroke symbol	025	050	075	100	125	150	175	200	250	300	350	400	500
Rod boot stroke	600	700	800	900	1000	1100	1200	1300	1400	1500	1600	1700	1800
Stroke symbol	600	700	800	900	A00	A10	A20	A30	A40	A50	A60	A70	A80

For ø50 to ø100 (Excludes F: With rod flange)

Rod boot stroke	25	50	100	150	200	250	300	400	500	600	700	800	900
Stroke symbol	025	050	100	150	200	250	300	400	500	600	700	800	900
Rod boot stroke	1000	1100	1200	1300	1400	1500	1600	1700	1800				
Stroke symbol	A00	A10	A20	A30	A40	A50	A60	A70	A80				

For ø50 and ø63 (F: With rod flange)

Rod boot stroke	25	50	75	100	125	150	175	200	250	300	350	400	500
Stroke symbol	025	050	075	100	125	150	175	200	250	300	350	400	500
Rod boot stroke	600	700	800	900	1000	1100	1200	1300	1400	1500	1600	1700	1800
Stroke symbol	600	700	800	900	A00	A10	A20	A30	A40	A50	A60	A70	A80

For ø80 and ø100 (F: With rod flange)

Rod boot stroke	25	50	75	100	150	200	250	300	350	400	500	600	700
Stroke symbol	025	050	075	100	150	200	250	300	350	400	500	600	700
Rod boot stroke	800	900	1000	1100	1200	1300	1400	1500	1600	1700	1800		
Stroke symbol	800	900	A00	A10	A20	A30	A40	A50	A60	A70	A80		

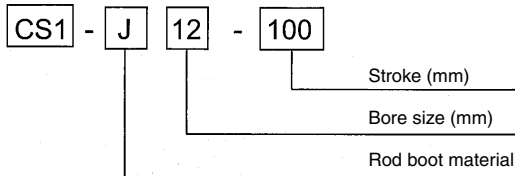
For intermediate stroke cylinders, go up to the next size stroke when selecting a rod boot.  
Order using the same method when a rod boot is required for strokes other than those shown above.  
Please confirm the delivery date with the factory.

# 5 Rod Boot Assembly Replacement Part Nos.

## *C(D)S1, CS1W, CS1□Q, CNS, CLS, CL1(∅ 125 to ∅ 160) Series*

### Replacement Parts: Rod Boot Assembly Part Nos.

#### 1. Part Nos.



#### Rod Boot Material

Symbol	Description
J	Nylon tarpaulin
K	Heat-resistant tarpaulin

#### Bore Size

Symbol	Bore size
12	∅125, ∅140
16	∅160
18	∅180
20	∅200
25	∅250
30	∅300



# 5 Rod Boot Assembly Replacement Part Nos.

## CS2, CS2W Series

### Replacement Parts: Rod Boot Assembly Part Nos.

#### 1. Part Nos. (J: Nylon tarpaulin)

Bore size	Stroke					
	Up to 50	51 to 75	76 to 100	101 to 150	151 to 200	201 to 250
ø125	CS2-J12-050	CS2-J12-075	CS2-J12-100	CS2-J12-150	CS2-J12-200	CS2-J12-250
ø140						
ø160	CS2-J16-050	CS2-J16-100	CS2-J16-100	CS2-J16-150	CS2-J16-200	CS2-J16-250

Bore size	Stroke					
	251 to 300	301 to 350	351 to 400	401 to 450	451 to 500	501 to 550
ø125	CS2-J12-300	CS2-J12-350	CS2-J12-400	CS2-J12-450	CS2-J12-500	CS2-J12-550
ø140						
ø160	CS2-J16-300	CS2-J16-350	CS2-J16-400	CS2-J16-450	CS2-J16-500	CS2-J16-550

Bore size	Stroke					
	551 to 600	601 to 650	651 to 700	701 to 750	751 to 800	801 to 900
ø125	CS2-J12-600	CS2-J12-650	CS2-J12-700	CS2-J12-800	CS2-J12-800	CS2-J12-900
ø140						
ø160	CS2-J16-600	CS2-J16-650	CS2-J16-700	CS2-J16-750	CS2-J16-800	CS2-J16-900

Bore size	Stroke					
	901 to 1000	1001 to 1050	1051 to 1100	1101 to 1200	1201 to 1300	1301 to 1400
ø125	CS2-J12-A00	CS2-J12-A10	CS2-J12-A10	CS2-J12-A20	CS2-J12-A30	CS2-J12-A40
ø140						
ø160	CS2-J16-A05	CS2-J16-A05	CS2-J16-A10	CS2-J16-A20	CS2-J16-A30	CS2-J16-A40

Bore size	Stroke	
	1401 to 1500	1501 to 1600
ø125	CS2-J12-A50	CS2-J12-A60
ø140		
ø160	CS2-J16-A50	CS2-J16-A60

# 5 Rod Boot Assembly Replacement Part Nos.

## CS2, CS2W Series

### Replacement Parts: Rod Boot Assembly Part Nos.

#### 2. Part Nos. (K: Heat-resistant tarpaulin)

Bore size	Stroke					
	Up to 50	51 to 75	76 to 100	101 to 150	151 to 200	201 to 250
ø125	CS2-K12-050	CS2-K12-75	CS2-K12-100	CS2-K12-150	CS2-K12-200	CS2-K12-250
ø140						
ø160	CS2-K16-050	CS2-K16-100	CS2-K16-100	CS2-K16-150	CS2-K16-200	CS2-K16-250

Bore size	Stroke					
	251 to 300	301 to 350	351 to 400	401 to 450	451 to 500	501 to 550
ø125	CS2-K12-300	CS2-K12-350	CS2-K12-400	CS2-K12-450	CS2-K12-500	CS2-K12-550
ø140						
ø160	CS2-K16-300	CS2-K16-350	CS2-K16-400	CS2-K16-450	CS2-K16-500	CS2-K16-550

Bore size	Stroke					
	551 to 600	601 to 650	651 to 700	701 to 800	801 to 900	901 to 1000
ø125	CS2-K12-600	CS2-K12-650	CS2-K12-700	CS2-K12-800	CS2-K12-900	CS2-K12-A00
ø140						
ø160	CS2-K16-600	CS2-K16-700	CS2-K16-700	CS2-K16-800	CS2-K16-900	CS2-K16-A00

Bore size	Stroke					
	1001 to 1100	1101 to 1200	1201 to 1300	1301 to 1400	1401 to 1500	1501 to 1600
ø125	CS2-K12-A10	CS2-K12-A20	CS2-K12-A30	CS2-K12-A40	CS2-K12-A50	CS2-K12-A60
ø140						
ø160	CS2-K16-A10	CS2-K16-A20	CS2-K16-A30	CS2-K16-A40	CS2-K16-A50	CS2-K16-A60

Actuators

Rotary Actuators  
Air Grippers

Modular F.R.L.  
Pressure Control Equipment

Air Preparation  
Equipment

Industrial Filters

Replacement  
Procedure

Actuators

Rotary Actuators  
Air Grippers

Modular F.R.L.  
Pressure Control Equipment

Air Preparation Equipment  
Industrial Filters

# 5 Rod Boot Assembly Replacement Part Nos.

## CL1(ø40 to ø100) Series

### Replacement Parts: Rod Boot Assembly Part Nos.

#### 1. Part Nos.

Rod boot part no.	—	Stroke symbol	*1
-------------------	---	---------------	----

(Example) For the CL1T63-1100J rod boot → Use the following part number: C1L50GAAA308-R-A10

(Note) The part number above includes rod boot bands for bore sizes ø40 to ø100, a mounting flange, and 3 cross recessed round head screws.

\*1 Refer to "3." for stroke symbols.

#### 2. Rod Boot Part Nos.

	Rod boot part no.	
	J rod boot*2	K rod boot*3
ø 40	C1L40GAAA307-R	C1L40GBAA307-R
ø 50	C1L50GAAA308-R	C1L50GBAA308-R
ø 63	C1L50GAAA308-R	C1L50GBAA308-R
ø 80	C1L80GAAA310-R	C1L80GBAA310-R
ø 100	C1LA0GAAA311-R	C1LA0GBAA311-R

\*2 J rod boot: Nylon tarpaulin

\*3 K rod boot: Heat-resistant tarpaulin

#### 3. Rod Boot Stroke Symbols (3-digit symbol)

Stroke	50	100	1000	1100	1250	1800
Stroke symbol	050	100	A00	A10	A25	A80

Order using the same method when a rod boot is required for strokes other than those shown above. Please confirm the delivery date with the factory.

# 5 Rod Boot Assembly Replacement Part Nos.

## CH2E, CH2F, CH2G, CH2H Series

### Replacement Parts: Rod Boot Assembly Part Nos.

#### 1. Part Nos.

Rod boot part no. — Stroke symbol \*1

(Example) For the CH2(E,F,G,H)\*63-1000J rod boot → Use the following part number: CHE63GAR6488-R-A00  
 (Note) The part number above includes rod boot bands A and B (1 set).

\*1 Refer to "3." for stroke symbols.

#### 2. Rod Boot Part Nos.

Bore size	Rod boot part no. (B-series rod)		Rod boot part no. (C-series rod)	
	J rod boot*2	K rod boot*3	J rod boot	K rod boot
φ 32	CHE32GDR6485-R-*	CHE32GER6485-R-*	—	—
φ 40	CHE40GDR6486-R-*	CHE40GFR6486-R-*	CHE40GER6486-R-*	CHE40GGR6486-R-*
φ 50	CHE50GAR6487-R-*	CHE50GBR6487-R-*	CHE40GDR6486-R-*	CHE40GFR6486-R-*
φ 63	CHE63GAR6488-R-*	CHE63GBR6488-R-*	CHE50GAR6487-R-*	CHE50GBR6487-R-*
φ 80	CHE80GAR6489-R-*	CHE80GBR6489-R-*	CHE63GAR6488-R-*	CHE63GBR6488-R-*
φ 100	CHEA0GAR6490-R-*	CHEA0GBR6490-R-*	CHE80GAR6489-R-*	CHE80GBR6489-R-*

\*2 J rod boot: Nylon tarpaulin

\*3 K rod boot: Heat-resistant tarpaulin

#### 3. Rod Boot Strokes with Factory Stock Available

Rod boot stroke	25	50	75	100	125	150	175	200	250	300	350	400	450	500
Stroke symbol	025	050	075	100	125	150	175	200	250	300	350	400	450	500
Rod boot stroke	600	700	800	900	1000	1100	1200	1300	1400	1500	1600	1700	1800	
Stroke symbol	600	700	800	900	A00	A10	A20	A30	A40	A50	A60	A70	A80	

For intermediate stroke cylinders, go up to the next size stroke when selecting a rod boot.  
 Please confirm the delivery date with the factory.

Actuators  
 Rotary Actuators  
 Air Grippers  
 Modular F.R.L.  
 Pressure Control Equipment  
 Air Preparation  
 Equipment  
 Industrial Filters  
 Replacement  
 Procedure  
 Actuators  
 Rotary Actuators  
 Air Grippers  
 Modular F.R.L.  
 Pressure Control Equipment  
 Air Preparation  
 Equipment  
 Industrial Filters

# 5 Rod Boot Assembly Replacement Part Nos.

## CHA Series

### Replacement Parts: Rod Boot Assembly Part Nos.

#### 1. Part Nos.

Rod boot part no. — Stroke symbol \*1

(Example) For the CHA\*63-1000J rod boot → Use the following part number: CHA63GCK3999-A00

(Note) The part number above includes rod boot bands A and B (1 set).

\*1 Refer to "3." for stroke symbols.

#### 2. Rod Boot Part Nos.

Bore size	Rod boot part no.			
	Excludes the rod trunnion type		Rod trunnion type (U)	
	J rod boot*2	K rod boot*3	J rod boot*2	K rod boot*3
φ 40	CHA40GCK3997-R-*	CHA40GDK3997-R-*	/	
φ 50	CHA50GCK3998-R-*	CHA50GDK3998-R-*		
φ 63	CHA63GCK3999-R-*	CHA63GDK3999-R-*		
φ 80	CHA80GEK4000-R-*	CHA80GFK4000-R-*	CHA80GGK4000-R-*	CHA80GHK4000-R-*
φ 100	CHAA0GEK4001-R-*	CHAA0GFK4001-R-*	CHAA0GGK4001-R-*	CHAA0GHK4001-R-*
φ 125				
φ 160	CHAA6GEK4003-R-*	CHAA6GFK4003-R-*	CHAA6GGK4003-R-*	CHAA6GHK4003-R-*

\*2 J rod boot: Nylon tarpaulin

\*3 K rod boot: Heat-resistant tarpaulin

#### 3. Manufacturable Rod Boot Strokes

Rod boot stroke	25	50	75	100	125	150	175	200	250	300	350	400	450	500
Stroke symbol	025	050	075	100	125	150	175	200	250	300	350	400	450	500
Rod boot stroke	600	700	800	900	1000	1100	1200	1300	1400	1500	1600	1700	1800	/
Stroke symbol	600	700	800	900	A00	A10	A20	A30	A40	A50	A60	A70	A80	

For intermediate stroke cylinders, go up to the next size stroke when selecting a rod boot.  
Please confirm the delivery date with the factory.