



ORIGINAL INSTRUCTIONS

Instruction Manual Refer to Declaration of Conformity for relevant Directives

Monitored dump valve for use in safety related systems

- Series (25A-)VP#4#(R)-X536(-##),**
(25A-)VP#44(R)-X538(-##),
VP#42R-X562,
VP#44R-X563,
VP544R-X575,
VP544R-X577,
VP#44(R)-X596,
VP542R-X615,
VP542-X617,
25A-VP#44#-X544



Safety component as defined by the Machinery Directive 2006/42/EC article 2c.

The intended use of this valve is to vent a protected system to atmosphere when it is de-energised. When properly integrated into a suitable safety system the duplex valves are compatible for use in systems up to Category 4, and the single valves are compatible for use in systems up to Category 2 as defined by EN ISO 13849-1:2015.

1 Safety Instructions

These safety instructions are intended to prevent hazardous situations and/or equipment damage. These instructions indicate the level of potential hazard with the labels of "Caution," "Warning" or "Danger." They are all important notes for safety and must be followed in addition to International Standards (ISO/IEC) ⁽¹⁾, and other safety regulations.

- ⁽¹⁾ ISO 4414: Pneumatic fluid power - - General rules relating to systems.
- ISO 4413: Hydraulic fluid power - - General rules relating to systems.
- IEC 60204-1: Safety of machinery - -Electrical equipment of machines. (Part 1: General requirements)
- ISO 10218-1: Manipulating industrial robots -Safety.etc.

This manual contains essential information for the protection of users and others from possible injury and/or equipment damage.

- Read this manual before using the product, to ensure correct handling, and read the manuals of related apparatus before use.
- Keep this manual in a safe place for future reference.
- To ensure safety of personnel and equipment the safety instructions in this manual must be observed, along with other relevant safety practices.

	Caution	Caution indicates a hazard with a low level of risk, which if not avoided, could result in minor or moderate injury.
	Warning	Warning indicates a hazard with a medium level of risk, which if not avoided, could result in death or serious injury.
	Danger	Danger indicates a hazard with a high level of risk, which if not avoided, will result in death or serious injury.

Warning

- **The compatibility of the product is the responsibility of the person who designs the equipment or decides its specifications.**

1 Safety Instructions - continued

- Since the product specified here is used under various operating conditions, its compatibility with specific equipment must be decided by the person who designs the equipment or decides its specifications based on necessary analysis and test results. The expected performance and safety assurance of the equipment will be the responsibility of the person who has determined its compatibility with the product. This person should also continuously review all specifications of the product referring to its latest catalogue information, with a view to giving due consideration to any possibility of equipment failure when configuring the equipment.

- **Only personnel with appropriate training should operate machinery and equipment.**

The product specified here may become unsafe if handled incorrectly.

The assembly, operation and maintenance of machines or equipment including our products must be performed by an operator who is appropriately trained and experienced.

- **Do not service or attempt to remove product and machinery/equipment until safety is confirmed.**

1) The inspection and maintenance of machinery/equipment should only be performed after measures to prevent falling or runaway of the driven objects have been confirmed.

2) When the product is to be removed, confirm the safety measures as mentioned above are implemented and the power from any appropriate source is cut, and read and understand the specific product precautions of all relevant products carefully.

3) Before machinery/equipment is restarted, take measures to prevent unexpected operation and malfunction.

- **Do not use this product outside of the specifications.**
- **Contact SMC beforehand and take special consideration of safety measures if the product is to be used in any of the following conditions.**

1) Conditions and environments outside of the given specifications, or use outdoors or in a place exposed to direct sunlight.

2) Installation on equipment in conjunction with atomic energy, railways, air navigation, space, shipping, vehicles, military, medical treatment, combustions and recreation, or equipment in contact with food or

beverages, emergency stop circuits, clutch and brake circuits in press applications, safety equipment or other applications unsuitable for the specification described in this document.

3) An application which could have negative effects on people, property or animals requiring special safety analysis outside the scope of ISO 13849 described in this document.

4) Use in an interlock circuit, which requires the provision of double interlock for possible failure by using a mechanical protective function, and periodical checks to confirm proper operation.

- **Always ensure compliance with relevant safety laws and standards.**
- All electrical work must be carried out in a safe manner by a qualified person in compliance with applicable national regulations.

Caution

- **The product is provided for use in manufacturing industries.**

The product herein described is basically provided for peaceful use in manufacturing industries.

If considering using the product in other industries, consult SMC beforehand and exchange specifications or a contract if necessary.

If anything is unclear, contact your nearest sales branch.

2 Specifications

Warning

Special specification products (as listed in section 4 'How to order') other than standard '-X536/8' might have specifications different from those shown in this Instruction Manual.

Refer to individual drawings for special specifications.

2.1 Valve specifications

	VP500	VP700
Type of Actuation	Normally closed	
Return method	Spring return	
Fluid	Air	
Proof pressure	1.05 MPa	
Internal pilot operating pressure range	0.25 to 0.7 MPa	
External pilot operating pressure range	Main pressure	0.25 to 0.7 MPa
	Pilot pressure	Same as main pressure

2 Specifications – continued

Ambient & operating fluid temp.	-10~+50°C (no freezing / no condensation)		
Lubrication	Not required ⁽¹⁾		
Operating frequency: Max	30 cycles per minute		
Operating frequency: Min	1 cycle per week ⁽²⁾		
Duty cycle	Contact SMC		
Response time	See 2.10.2.1	See 2.10.2.2	
Vibration / Impact resistance	150 / 30 m/s ² ^(3,4)		
Ambient humidity	20% to 90%		
Air quality	5 µm filtration or smaller		
Environment	Indoor use only		
Enclosure	IP65 (IP66 ⁽⁷⁾)		
B _{10D}	10,000,000 cycles ⁽⁵⁾	10,000,000 cycles ⁽⁵⁾	
	Mission time	10,000,000 cycles ⁽⁶⁾	10,000,000 cycles ⁽⁶⁾
Mass (examples)	VP#44-X538	840 g	1580 g
	VP#42-X536	360 g	600 g
	VP#44-X536	465 g	785 g

Note:

- 1) If lubrication is used in the system, use class 1 turbine oil (no additive), ISO VG32.
- 2) The valve must be energised/de-energised at least once per week.
- 3) Shock resistance:
 - No malfunction resulted from the impact test using a drop impact tester.
 - The test was performed on the axis and right angle direction of the main valve and armature, for both energised and de-energised states.
- 4) Vibration resistance:
 - No malfunction occurred in a one-sweep test between 8.3 and 2000 Hz.
 - Test was performed at both energised and de-energised state to the axis and right angles direction of the main valve and armature (valve in the initial stage).
- 5) The B_{10D} figure is estimated from SMC life tests under SMC test conditions.
- 6) See section 2.10.4 for details.
- 7) Only for VP#44(R)-5DZ1-0###-X596.

2.2 Flow specifications

Flow specifications	Single channel VP542-X536		Single channel VP544-X536		Single channel VP742-X536		Single channel VP744-X536	
	1→2 (P→A)	2→3 (A→R)	1→2 (P→A)	2→3 (A→R)	1→2 (P→A)	2→3 (A→R)	1→2 (P→A)	2→3 (A→R)
C[liter/(s.bar)]	8.9	8.9	8.8	8.8	15.1	15.3	14.7	15.0
b	0.16	0.20	0.07	0.13	0.21	0.22	0.05	0.17
Cv	2.2	2.1	2.0	2.0	3.6	3.7	3.3	3.4

Flow specifications	Dual channel VP544-X538		Dual channel VP744-X538	
	1→2 (P→A)	2→3 (A→R)	1→2 (P→A)	2→3 (A→R)
C[liter/(s.bar)]	6.5	6.7	10.3	9.7
b	0.08	0.10	0.08	0.08
Cv	1.3	1.3	2.3	2.1

2.3 Pilot valve specifications

Electrical entry	D or Y type DIN terminal (See 3.7.1)
Coil rated voltage	24 VDC
Allowable voltage fluctuation	-10% to +10% ⁽¹⁾
Power consumption	0.45 W
Surge voltage suppressor	Varistor

1) Valve state is not defined if electrical input is outside of specified operating ranges.

2.4 Limit switch specifications

Electrical entry	G1/2 connector, M12 connector
Contact resistance	50 mΩ max
Minimum permissible load	5 VDC 1mA (resistive load)
Rated voltage	24 VDC + 10% max
Maximum permitted load current	50 mA ⁽¹⁾
Maximum permitted load inductance	0.5 H ⁽¹⁾
Rated insulation voltage	300 V
Electric shock protection class	Class II (double insulation)
Pollution degree	Level 3 (EN60947-5-1)
Vibration / Impact resistance	See note ⁽²⁾⁽³⁾

2 Specifications - continued

2.4.1 Notes

1) For the purposes of EN ISO 13849-2:2012 table D.2 the switch is derated from the figures specified by the switch manufacturer. The switch load must be limited in the application in order to maintain the specified safety performance, including the B_{10D} and mission time.

2) The Omron switch is subject to the following vibration and shock limitations specified by the manufacturer:

- 'Contact opening time should be less than a 1 ms pulse under vibration of 0.75 single amplitude, 10 to 55 Hz, 10 cycles in each direction for 45 minutes.'

- Shock: 300 m/s² (Contact open time: 1 ms maximum pulse)

3) The Rockwell Automation switch is subject to the following vibration and shock limitations specified by the manufacturer:

- Impact: IEC60068-2-7 (30Gn, 3 pulses per axis).

- Vibration: IEC60068-2-6 (10...55Hz, 0.35mm amplitude).

2.5 Safety specification

Safety function: When the valve is de-energised the protected circuit is vented to atmosphere. The valve can be continuously energised to provide this function, subject to the specified minimum operating frequency.

- The single valve is compatible for use in systems up to Category 2 according to the Safety Standard when integrated into a suitable safety system.

- The duplex valve assembly is compatible for use in systems up to Category 4 according to the Safety Standard when integrated into a suitable safety system.

In this section, 'the Safety Standard' refers to EN ISO 13849-1 and 'the Validation Safety Standard' refers to EN ISO 13849-2 as referenced in the Declaration of Conformity.

Information about compatibility with the Safety Standard is given in section 2.10.

2.6 Pneumatic symbols (examples)

2.6.1 VP#42#-X536

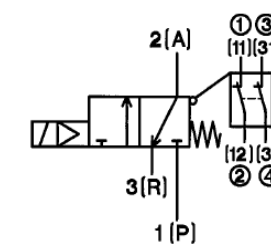


Figure 1 Internal pilot

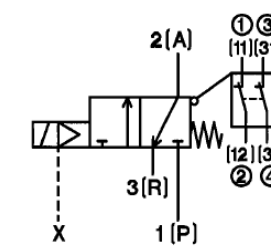


Figure 2 External pilot (Omron switch variant)

2.6.2 VP#44#-X538

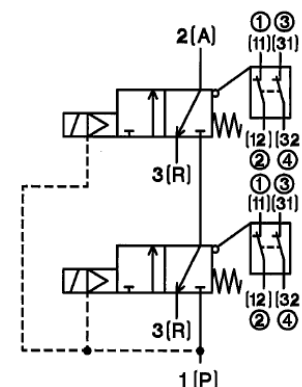


Figure 3 Internal pilot

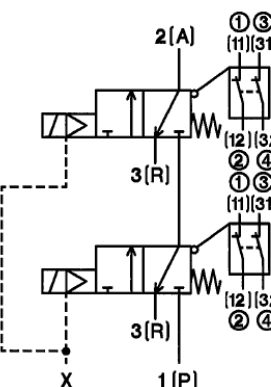
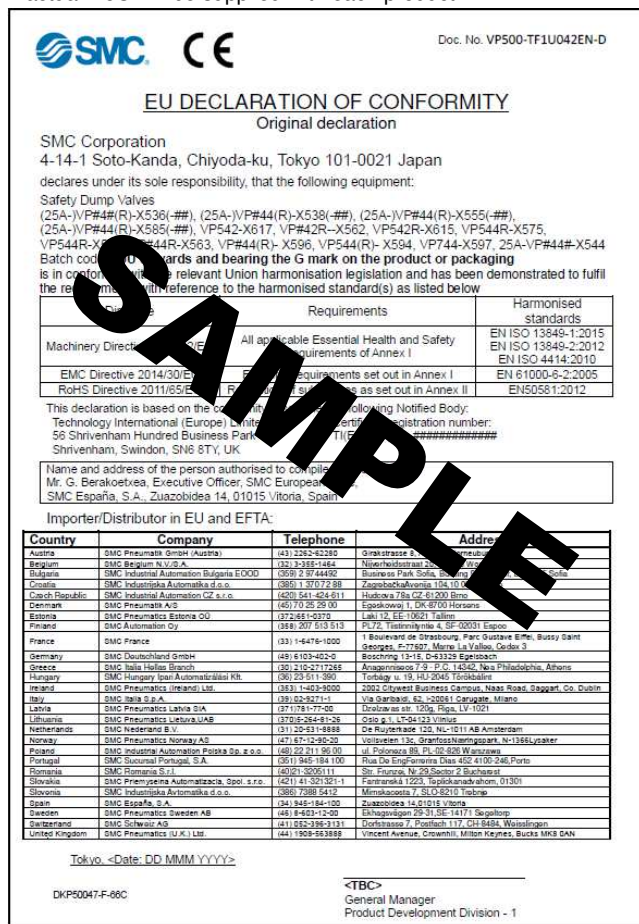


Figure 4 External pilot (Omron switch variant)

2 Specifications - continued

2.7 Declaration of Conformity

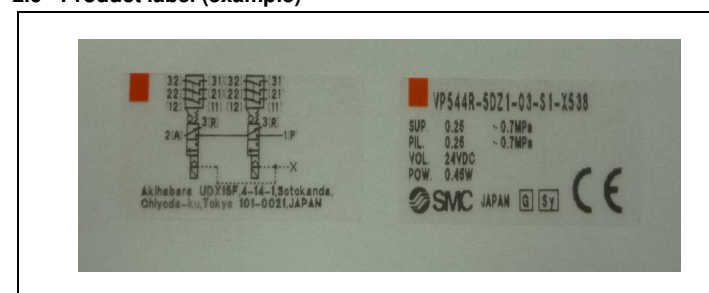
Below is a sample Declaration of Conformity (DoC) used for this product. An actual DoC will be supplied with each product.



2.8 Base mounted valve identification

VP#44 valves are marked with mounting arrows, which are designed to point towards a mating arrow on the sub plate.

2.9 Product label (example)



Batch code in the above label translates to construction year / month according to the following table (eg. "TQ = Mar 2015):

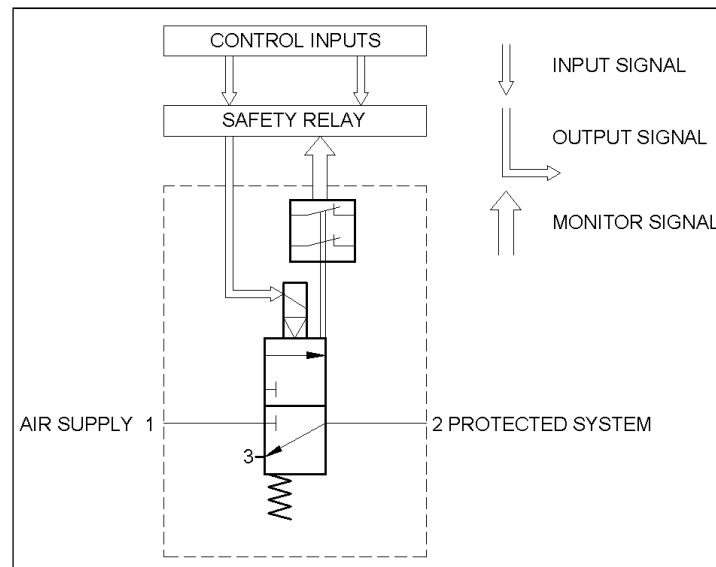
Construction Year / Month	Production batch codes											
	Jan	Feb	Mar	Apr	May	Jun	Jul	Aug	Sep	Oct	Nov	Dec
2015	To	TP	TQ	TR	TS	TT	TU	TV	TW	TX	Ty	TZ
2016	Uo	UP	UQ	UR	US	UT	UU	UV	UW	UX	Uy	UZ
...
2020	yo	yP	yQ	yR	yS	yT	yU	yV	yW	yX	yy	yZ

2 Specifications - continued

2.10 Safety System

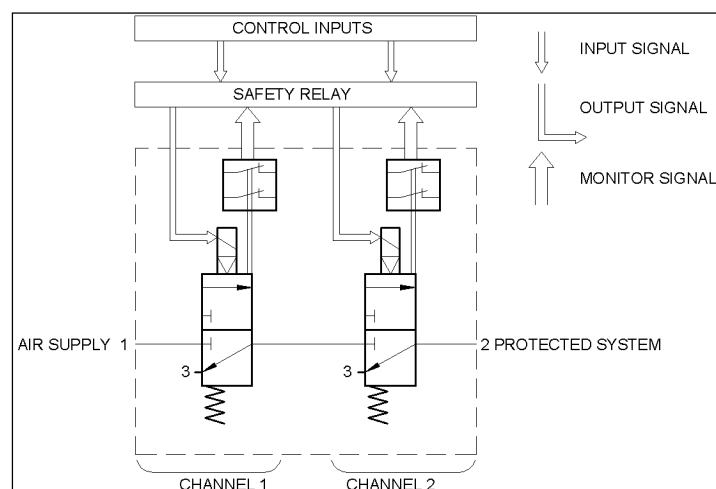
2.10.1 The System Interface

2.10.1.1 Single valve



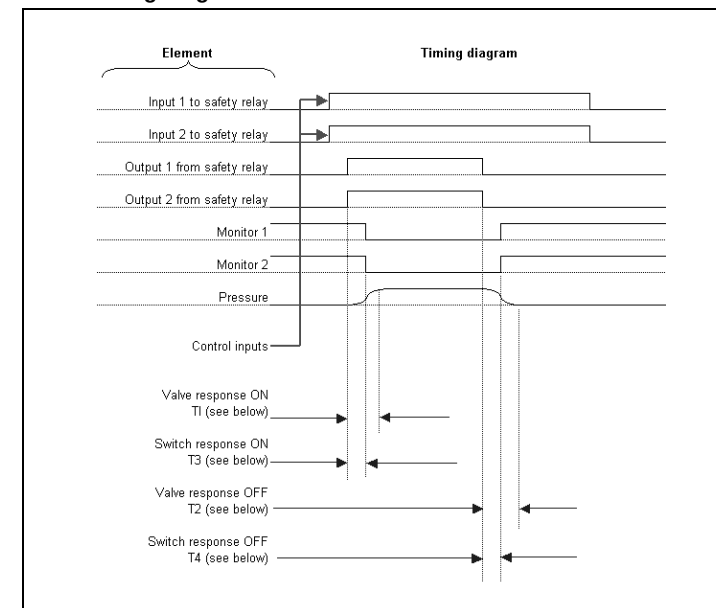
2.10.1.2 Duplex valve assembly

The diagram shows the valve in the dotted line box connected to a safety relay in dual channel mode following the principles of the Safety Standard.



2 Specifications - continued

2.10.2 Timing Diagram



Note: The monitor switches are Normally Closed, i.e. closed when the valve solenoids are de-energised. The monitor signals are therefore shown 'High' when the valve is de-energised.

2.10.2.1 VP544 Valve & switch Response

- The valve response time ON (T1) depends on the supply pressure and the volume of the protected system. T1 times are not related to the safety function.

- The valve response time OFF (T2) depends on the volume (V) and the flow capacity of the protected system. It is defined as the time interval in which the pressure in a test volume connected to an outlet port of the valve reduces from 0.63 MPa to 0.05 MPa in response to a change in the control signal to that valve. Refer to table below for indicative values under SMC conditions:
- The ON response time of the limit switch (T3) is shown in the table below.
- The OFF response time of the limit switch (T4) is shown in the table below.

Volume / litre	Valve OFF response / T2, ms	Switch Response	
		T3, ms	T4, ms
3	1110	30	155
10	3560		
20	7060		

2.10.2.2 VP744 Valve & Switch Response

- The valve response time ON (T1) depends on the supply pressure and the volume of the protected system. T1 times are not related to the safety function.
- The valve response time OFF (T2) depends on the volume (V) and the flow capacity of the protected system. It is defined as the time interval in which the pressure in a test volume connected to an outlet port of the valve reduces from 0.63 MPa to 0.05 MPa in response to a change in the control signal to that valve. Refer to table below for indicative values under SMC conditions:
- The ON response time of the limit switch (T3) is shown in the table below.
- The OFF response time of the limit switch (T4) is shown in the table below.

Volume / litre	Valve OFF response / T2, ms	Switch Response	
		T3, ms	T4, ms
3	930	40	280
10	2750		
20	5350		

2 Specifications - continued

Caution

Response times are based on tests under SMC conditions and are not guaranteed. Always observe the terms of 2.10.3.

- Exhaust times will increase on the duplex valves when only one channel is functioning in a fault condition.
- Exhaust times are based on tests under SMC conditions and are not guaranteed. Always observe the terms of 2.10.3.

2.10.3 Relationship of flow and response performance to safety function

The safety function is to vent the compressed air in the protected system so that the protected system does not present a hazard when the application operates under the control of a suitable safety system. The time taken for the air to vent and remove the hazard is a function of:

- The flow capacity of the valve
 - The flow restriction of silencers fitted to the valve
 - The volume of the protected system
 - The pressure of the air in the protected system
 - The flow restrictions in the protected system
- The end user is expected to establish the time taken to vent the application system and ensure that this time is consistent with the requirement of the overall safety system. This includes the selection of suitable silencers.

The performance of the system should be validated by test after each installation to ensure that the actual performance of the valve is consistent with the safety function. Validate the performance of the system under all foreseeable operating conditions of pressure, flow and volume.

2.10.4 Mission time according to the Safety Standard

The operational life of the product shall be limited to the mission time stated in section 2.1. The mission time is given in cycles, the user is expected to calculate an equivalent figure in time units based on the operating frequency of the application. After the mission time has expired for the component it shall be replaced with a new unit.

2.10.5 MTTFD according to the Safety Standard

The B10D for the component given in section 2.1 is derived from product knowledge and based on specific life tests. The system integrator should use this data to determine MTTFD and the Performance Level (PL) of the system using the methods described in the Safety Standard.

2.10.6 Diagnostic Coverage according to the Safety Standard

These valves are fitted with 'direct monitoring' according to Table E1 of the Safety Standard. When properly integrated these valve assemblies contribute to a DC value of 99% for the safety function.

2.10.7 Common Cause Failures according to the Safety Standard

CCF analysis is the responsibility of the system integrator. The single valve is a single channel system so CCF does not apply. The duplex valve has 2 channels made of identical valves. The use of this valve might not allow the system calculation to include CCF points for diversity.

3 Installation

3.1 Installation

Warning

- Do not install the product unless the safety instructions have been read and understood.
- Do not install the product if it appears to have been damaged during transport.
- The valve must be protected from contamination from the downstream system when air is vented through the valve.
- Do not paint the product.
- Do not remove or cover up warnings or specifications printed or affixed to the product.
- Ensure sufficient space for maintenance activities. When installing the products, allow access for maintenance.
- Ensure that the connections of pipework and cables to the unit do not result in a residual trip hazard to system operators or maintainers.
- If air leakage increases or equipment does not operate to specification, stop operation.
- Check mounting conditions when air and power supplies are connected. Initial function and leakage tests should be performed after installation.

3.2 Environment

Warning

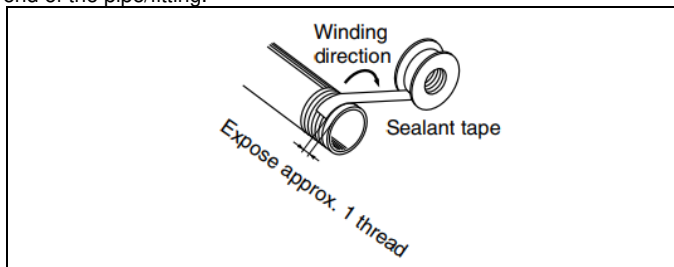
- Do not use in an environment where corrosive gases, chemicals, salt water or steam are present.
- Do not use in an explosive atmosphere.
- Do not expose to direct sunlight. Use a suitable protective cover.
- Do not install in a location subject to vibration or impact. Check the product specifications.
- Do not mount in a location exposed to radiant heat.
- Do not install in a location subject to strong magnetic fields.
- Do not install in an EMC environment other than 'industrial' according to the scope of standard listed on the Declaration of Conformity.
- If it is used in an environment where there is possible contact with oil, weld spatter, etc., exercise preventive measures.

- When the solenoid valve is mounted in a control panel or is energised for a long time, make sure ambient temperature is within the specification of the valve.
- Altitude limitation is 1000 m above sea level.

3.3 Piping

Caution

- Before piping make sure to clean up chips, cutting oil, dust etc.
- When installing piping or fittings, ensure sealant material does not enter inside the port. When using seal tape, leave 1 thread exposed on the end of the pipe/fitting.



- Tighten fittings to the specified tightening torque.

Connection Thread size (R, NPT)	Tightening Torque (N·m)
1/8	3 to 5
3/8	15 to 20
1/2	20 to 25

- The valve must be protected from contamination from the downstream system when air is vented through the valve.

3.4 Lubrication

Caution

- SMC products have been lubricated for life at manufacture, and do not require lubrication in service.

3 Installation - continued

- If a lubricant is used in the system, use turbine oil Class 1 (no additive), ISO VG32. Once lubricant is used in the system, lubrication must be continued because the original lubricant applied during manufacturing will be washed away.

3.5 Air Supply

Warning

- Type of fluids**
Please consult with SMC when using the product in applications other than compressed air
- When there is a large amount of drainage.
Compressed air containing a large amount of drainage can cause malfunction of pneumatic equipment. An air dryer or water separator should be installed upstream from filters.
- Drain flushing**
If condensation in the drain bowl is not emptied on a regular basis, the bowl will overflow and allow the condensation to enter the compressed air lines. It causes malfunction of pneumatic equipment.
If the drain bowl is difficult to check and remove, installation of a drain bowl with an auto drain option is recommended.

- Type of air**
Do not use compressed air that contains chemicals, synthetic oils including organic solvents, salt or corrosive gases, etc., as it can cause damage or malfunction.

Caution

- When extremely dry air is used as the fluid, degradation of the lubrication properties inside the equipment may occur, resulting in reduced reliability (or reduced service life) of the equipment. Please consult with SMC.
- Install an air filter upstream near the valve. Select an air filter with a filtration size of 5 µm or smaller.
- Take measures to ensure air quality, such as by installing an aftercooler, air dryer, or water separator.
Compressed air that contains a large amount of drainage can cause malfunction of pneumatic equipment such as valves.

- If excessive carbon powder is seen, install a mist separator on the upstream side of the valve.
If excessive carbon dust is generated by the compressor it may adhere to the inside of a valve and cause it to malfunction.
- The air supply to the valve must be large enough to operate the valve and to deal with possible transient pressures. The supply should be a minimum of DN10 for the VP500 and DN13 for the VP700.
- When using the external pilot type valve it is recommended that the main supply pressure and the pilot pressure are taken from separate lines. The A/B options are available which have a check valve fitting in the pilot port (see section 4).
- If necessary, a check valve can be installed in the external pilot line to prevent a drop in pilot pressure.

Warning

- If a check valve is fitted to the external pilot supply, ensure there is no hazard created by any air trapped between the check valve and the pilot valves.
- Minimise the distance between the valve and the air supply and between the valve and the protected system. Do not place any devices between the valve and the protected system that might interfere with the safety function. The exhaust ports of the valves should not be left unconnected.
The exhaust ports of the valves should never be blocked and must be protected from ingress of contamination by a suitable silencer or device which does not affect the valve function.

3.6 Noise

Caution

It is recommended that silencers or noise reduction devices are fitted to protect personnel from transient noise when the valves are de-energised. The pressure drop of silencers or devices must be taken into account during the design and testing of the application system to ensure that the safety function is maintained.

3 Installation - continued

3.7 Electrical Connection

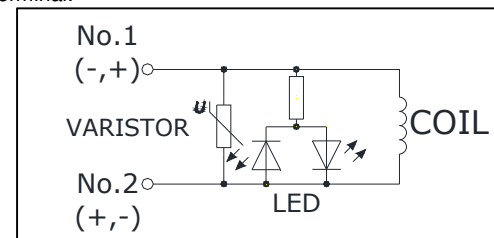
Caution

- When electric power is connected to a solenoid valve, be careful to apply the proper voltage. Improper voltage may cause malfunction or coil damage.
- Check if the connections are correct after completing all wiring.

3.7.1 Pilot Valve

3.7.1.1 Surge voltage suppression

For DIN terminal:



DIN terminal has no polarity.

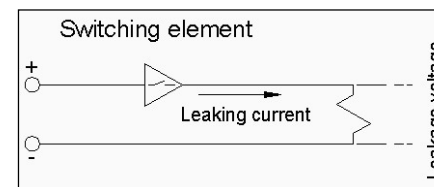
3.7.1.2 Pilot valve connections

- DIN interchangeability
The 'Y' type DIN terminal corresponds to the DIN connector with a terminal pitch of 8 mm, which complies with EN175301-803C. The pitch is different from the 'D' type DIN connector (which has a pitch of 9.4 mm): the two types are therefore not interchangeable.

- Applicable cable dia: Ø3.5 ~ Ø7 mm

3.7.1.3 Leakage voltage

Ensure that any leakage current when the switching element is OFF causes ≤ 3% of the rated voltage across the valve.



3.7.1.4 Using DIN connector with the pilot valve

Caution

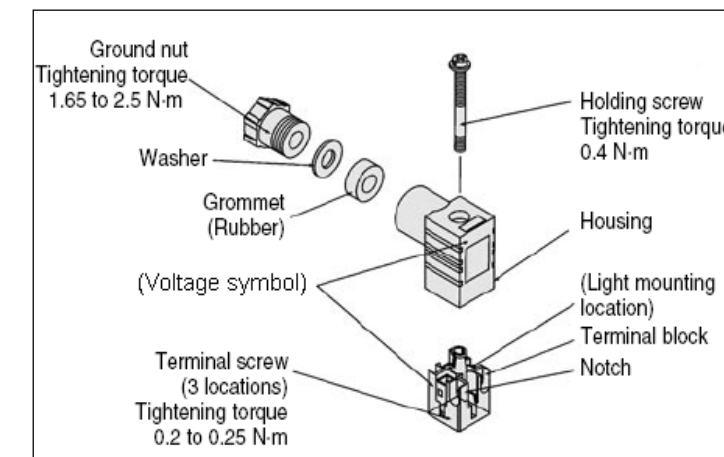
Connection

- Loosen the holding screw and pull the connector out of the solenoid valve terminal block.
- After removing the holding screw, insert a flat head screwdriver, etc. into the notch on the bottom of the terminal block and pry it open, separating the terminal block and the housing.
- Loosen the terminal screws (slotted screws) on the terminal block, insert the cores of the lead wires into the terminals according to the connection method, and fasten them securely with the terminal screws.
- Secure the cord by fastening the ground nut.

Caution

When making connections, take note that using other than the supported size (ø3.5 to ø7) heavy duty cord will not satisfy IP65 (enclosure) standards. Also, be sure to tighten the ground nut and holding screw within their specified torque ranges.

3 Installation - continued



Changing the entry direction

After separating the terminal block and housing, the cord entry can be changed by attaching the housing in the desired direction (4 directions at 90° intervals).

* When equipped with a light, be careful not to damage the light with the cord's lead wires.

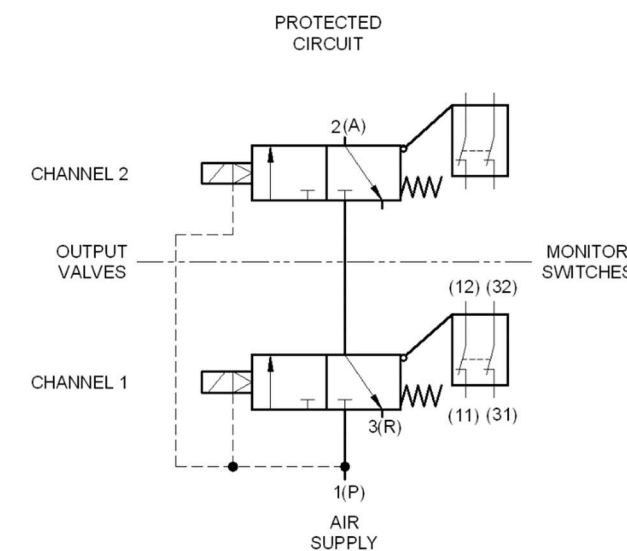
Precautions

Plug in and pull out the connector vertically without tilting to one side.

Compatible cable

Cord O.D.: Ø3.5 to Ø7
(Reference) 0.5 mm², 2-core or 3-core, equivalent to JIS C 3306

3.7.2 Omron Limit Switch



3.7.3 Limit Switch: Omron conduit type

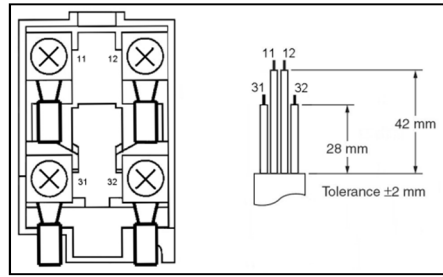
3.7.3.1 Limit switch screw tightening torque

Screw position	Tightening torque (N·m)
Terminal screw	0.6 to 0.8
Cover clamping screw	0.5 to 0.7
Conduit mounting connection	1.8 to 2.2

3 Installation - continued

3.7.3.2 Wiring (conduit type)

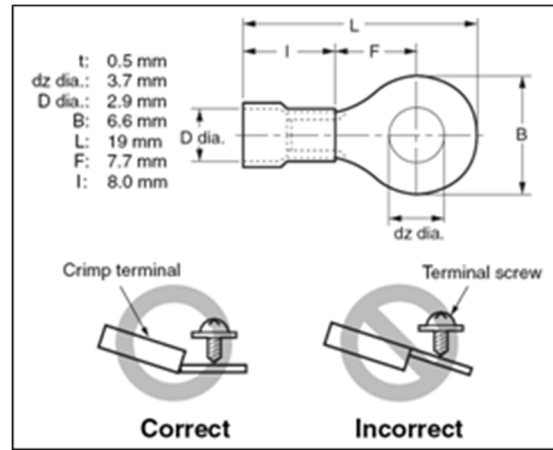
- When connecting to the terminals via insulating tube and M3.5 crimp terminals, arrange the crimp terminals as shown below so that they do not rise up onto the case or the cover. Application lead wire size: AWG20 to AWG18 (0.5 to 0.75 mm²)



- Do not push crimp terminals into gaps in the case interior. Doing so may cause damage or deformation of the case.
- Use crimp terminals not more than 0.5 mm in thickness. Otherwise, they will interfere with other components inside the case. The crimp terminal shown below are not more than 0.5 mm thick.

Manufacture	Type	Wire size
J.S.T.	FV0.5-3.7 (F type) V0.5-3.7 (straight type)	AWG20 (0.5 mm ²)

J.S.T. is a Japanese manufacturer.



3.7.3.3 Conduit Opening

- Connect a recommended connector to the opening of the conduit and tighten the connector to the specified torque. The case may be damaged if an excessive tightening torque is applied.
- Use a cable with a suitable diameter for the connector.

3.7.3.4 Recommended Connectors

Use connectors with screws not exceeding 9 mm, otherwise the screws will protrude into the case interior, interfering with other components in the case. The connectors listed in the following table have connectors with thread sections not exceeding 9 mm. Use the recommended connectors to ensure conformance to the stated IP level.

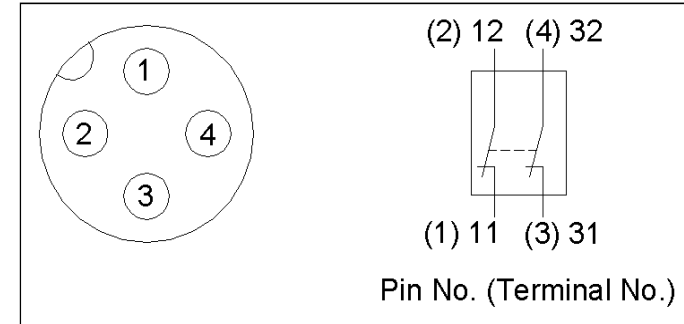
3 Installation - continued

Size	Manufacturer	Model	Applicable cable diameter
G 1/2	LAPP	ST-PF1/2 5380-1002	6.0 to 12.0 mm
	Ohm Denki	OA-W1609	7.0 to 9.0 mm
		OA-W1611	9.0 to 11.0 mm

Use LAPP connectors together with seal packing (JPK-16, GP-13.5, GPM20, or GPM12), and tighten to the specified tightening torque. Seal packing is sold separately.

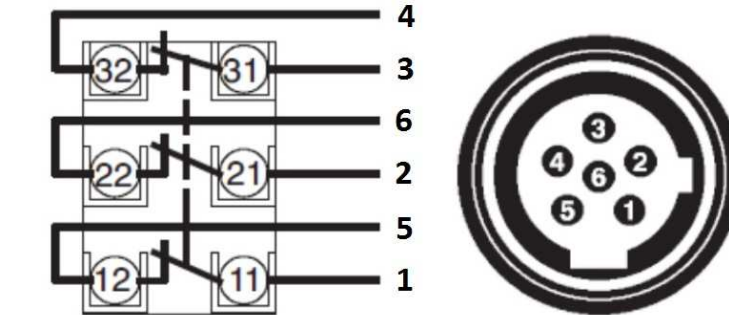
LAPP is a German manufacturer.
Ohm Denki is a Japanese manufacturer.

3.7.3.5 Limit Switch: Omron M12 connector type



- Orientation of the M12 connector is not guaranteed. Only a straight connector should be used.

3.7.4 Rockwell Automation M12 connector type

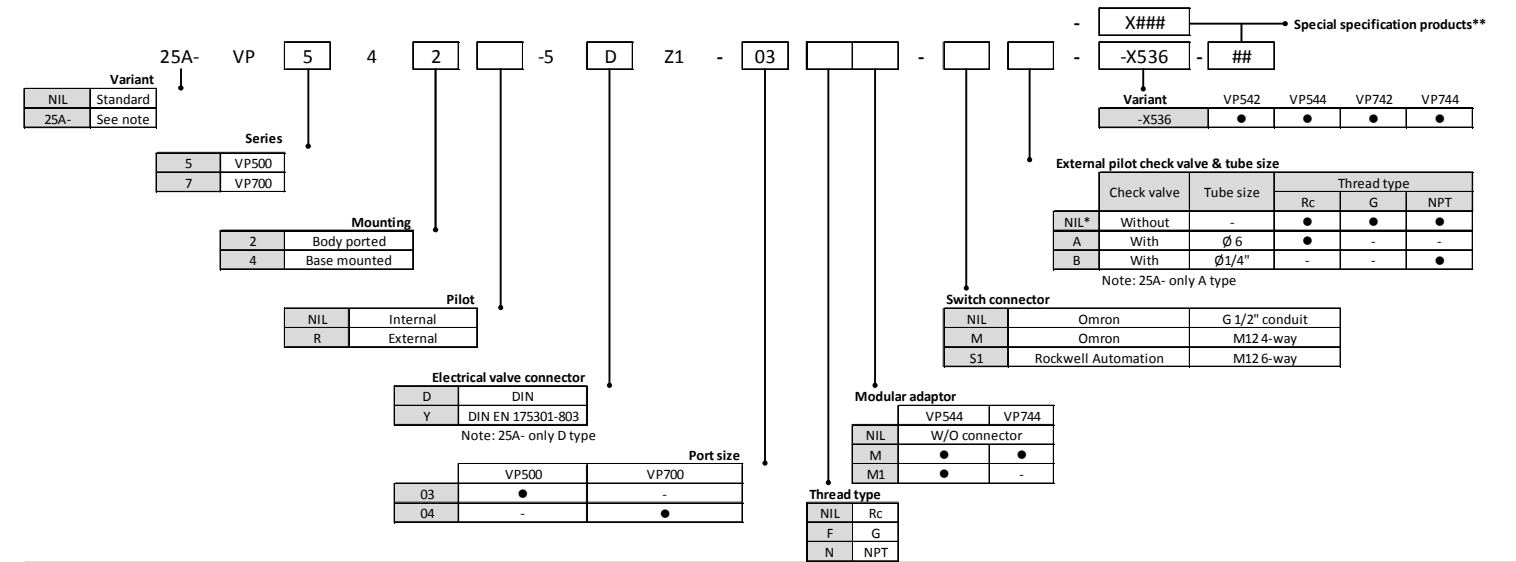


3.7.4.1 Socket tightening (Connector type)

- Turn the socket connector screws by hand and tighten until no space remains between the socket and the plug.
- Make sure that the socket connector is tightened securely. Otherwise, the rated degree of protection may not be maintained and vibration may loosen the socket connector.
- Orientation of the M12 connector is not guaranteed. Only a straight connector should be used.

4 How to Order

4.1 Single valve – how to order

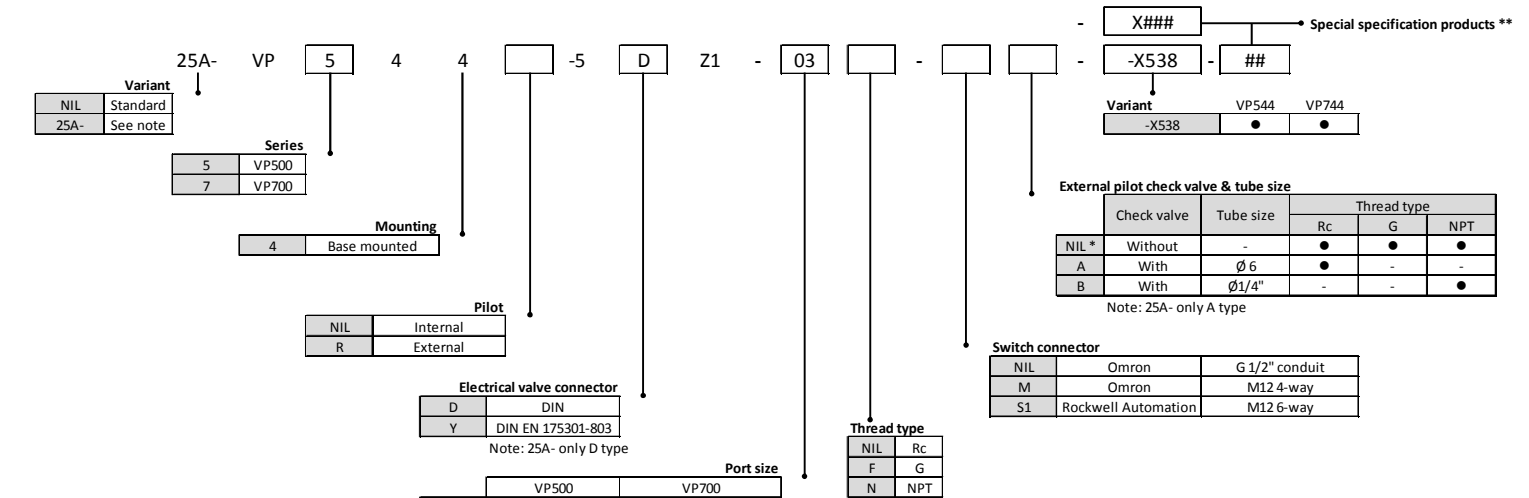


Note: The 25A- variants are compatible for use in the secondary battery manufacturing environment. These variants are copper and zinc free and suitable for use with low dew point air supplies (-70°C). Contact SMC for more information.

*If no external pilot check valve is selected, supply port thread and external pilot port thread will be of the same type.
External pilot port size: 1/8"

**Check individual drawings for 'How to Order' of special specification products '-X###' and '-##' other than standard '-X536'.

4.2 Duplex valve assembly – how to order



Note: The 25A- variants are compatible for use in the secondary battery manufacturing environment. These variants are copper and zinc free and suitable for use with low dew point air supplies (-70°C). Contact SMC for more information.

*If no external pilot check valve is selected, supply port thread and external pilot port thread will be of the same type.
External pilot port size: 1/8"

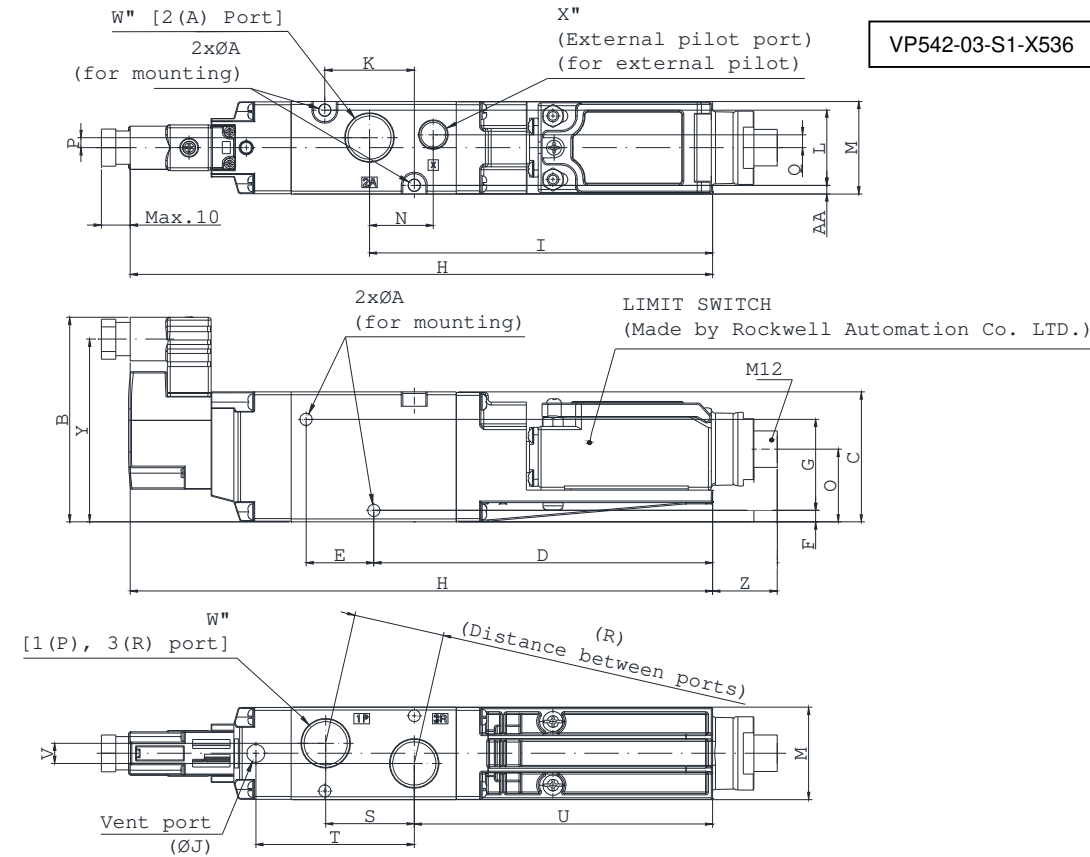
**Check individual drawings for 'How to Order' of special specification products '-X###' and '-##' other than standard '-X538'.

5 Outline Dimensions (mm)

5.1 VP#42 single valve outline dimensions (mm)

5 Outline Dimensions (mm) - continued

Note: M4 limit switch retaining screws secured into position with adhesive. Do not remove.

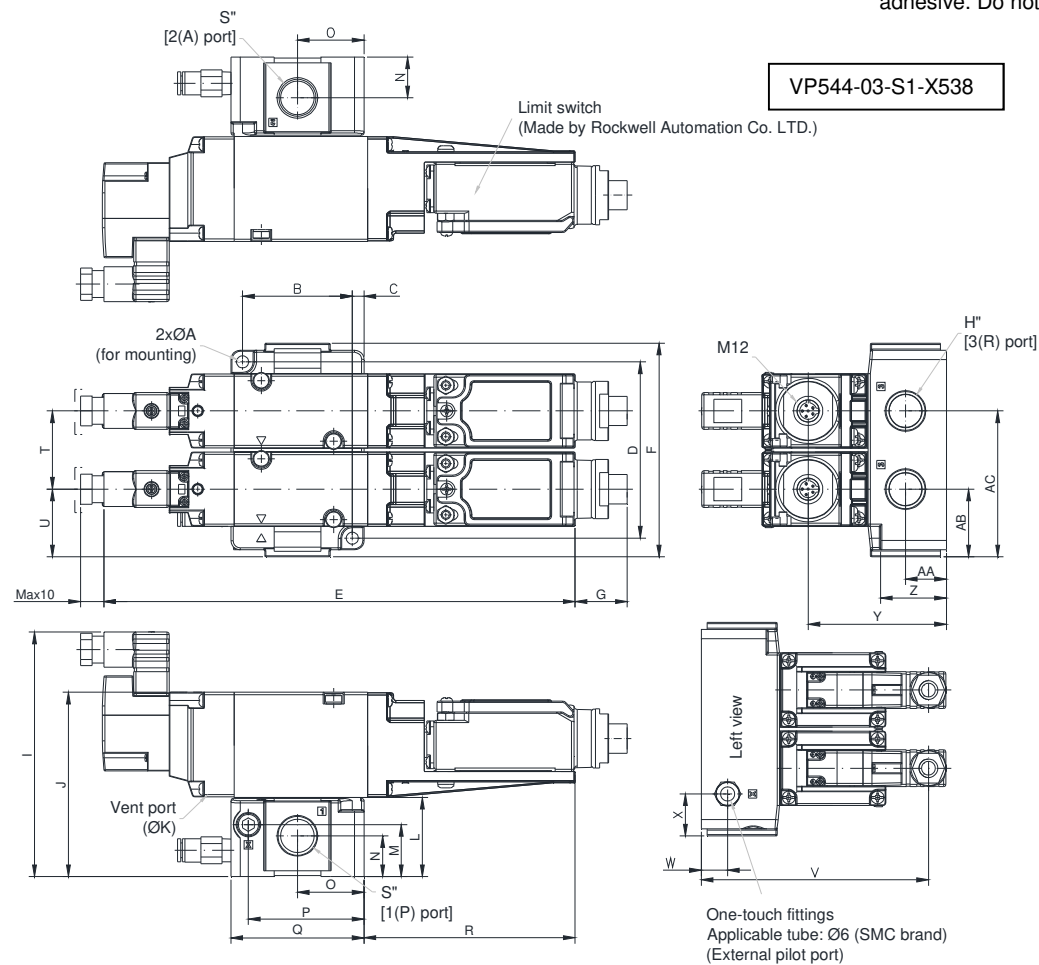


VP542-03-S1-X536

	VP500	VP700
A	4.20	5.20
B	70.80	88.80
C	45.00	63.00
D	117.40	128.90
E	23.50	31.00
F	4.00	9.40
G	31.50	38.50
H	201.80	224.20
I	118.90	143.20
J	6.20	6.20
K	31.00	41.00
L	26.00	33.00
M	32.00	40.00
N	22.10	24.00
O	25.20	34.20
P	3.50	4.50
Q	4.50	7.50
R	31.50	43.00
S	30.70	42.00
T	54.90	73.50
U	103.40	122.20
V	7.00	9.00
W	3/8	1/2
X	1/8	1/8
Y	63.30	81.30
Z	22.30	22.30
AA	3.00	3.50

5.2 VP#44 duplex valve assembly outline dimensions (mm)

Note: M4 limit switch retaining screws secured into position with adhesive. Do not remove.

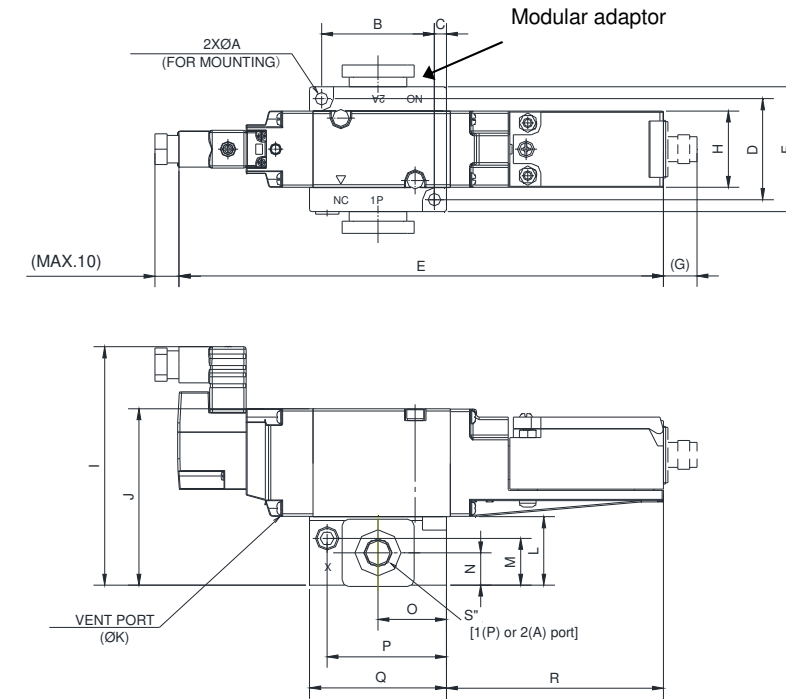


VP544-03-S1-X538

	VP500	VP700
A	5.20	6.20
B	47.00	67.00
C	5.00	6.50
D	75.50	94.50
E	201.80	224.20
F	91.50	113.50
G	14.00	14.00
H	3/8	1/2
I	104.80	124.80
J	79.00	99.00
K	6.20	6.20
L	34.00	36.00
M	22.30	24.00
N	17.50	18.00
O	28.50	40.00
P	49.50	68.00
Q	57.00	80.00
R	90.40	88.90
S	3/8	1/2
T	33.50	41.50
U	29.00	36.00
V	97.30	117.30
W	11.30	16.00
X	18.00	21.00
Y	59.20	70.20
Z	28.20	27.20
AA	17.50	18.00
AB	29.00	36.00
AC	62.50	77.50

5 Outline Dimensions (mm) - continued

5.3 VP#44-X536 Single station assembly outline dimensions (mm)



5 Outline Dimensions (mm) - continued

	VP500	VP700
A	5.20	6.20
B	47.00	67.00
C	5.00	18.00
D	42.00	53.00
E	201.80	224.20
F	52.00	66
G	14.00	14.00
H	(22.30)	(22.30)
I	31.80	39.80
J	99.30	121.30
K	73.50	95.50
L	6.20	6.20
M	28.50	32.50
N	19.50	21.00
O	13.50	16.00
P	28.50	40.00
Q	49.70	64.00
R	57.00	80.00
S	90.40	88.90
T	3/8	1/2
U	52.00	66.00
V	35.00	42.00
W	54.70	67.20
X	23.00	24.00
Y	13.50	16.00
Z	26.00	33.00

VP544-03-X536

Note: M4 limit switch retaining screws secured into position with adhesive. Do not remove.

5.4 Mounting

- Mounting orientation: Unrestricted.
- The valve assembly can be mounted using two M6 bolts for VP700 and M5 bolts for VP500.
- The sub plate of the duplex -X538 variants are compatible with the AC series FRL unit by the use of 'Y#00-A' spacers.
- Spacer Y300-A can be used with the VP500 sub plate, and the Y400-A with the VP500 sub plate with M1 option and the VP700 sub plate.



'Y400-A' spacer and 'Y400T-A' spacer with bracket. Contact SMC for details.

- The single channel base mounted valves VP544-X536 and VP744-X536 are available with a modular adaptor which is compatible with 'Y#00-A' spacers. See section 4.1

Valve	Modular adaptor
VP544-X536	M
VP544-X536	M1
VP744-X536	M

6 Maintenance

6.1 General Maintenance



- Not following proper maintenance procedures could cause the product to malfunction and lead to equipment damage.
- If handled improperly, compressed air can be dangerous. Maintenance of pneumatic systems should be performed only by qualified personnel.
- Before performing maintenance, turn off the power supply and be sure to cut off the supply pressure. Confirm that the air is released to atmosphere.
- After installation and maintenance, apply operating pressure and power to the equipment and perform appropriate functional and leakage tests to make sure the equipment is installed correctly.
- If any electrical connections are disturbed during maintenance, ensure they are reconnected correctly and safety checks are carried out as required to ensure continued compliance with applicable national regulations.
- Do not make any modification to the product.
- Do not disassemble the product, unless required by installation or maintenance instructions.

6.2 Maintainable parts



- Under no circumstances attempt to change the solenoid of the pilot valve as this is an integral part of the valve and doing so will negate any such SMC warranty.
- There are no replaceable parts on these safety products.

6.3 Periodic testing

The product should be tested for proper operation of the safety function once per month or whenever considered necessary for the purposes of the end user. The test should consist of operation of the safety system and observation of the following:

6 Maintenance- continued

When the connected control system is energising the solenoids:

- Check that the solenoid indicator lamps are illuminated.
- Check that the connected downstream system is properly pressurised.
- Check that the switch contacts are open.
- For VP#44 duplex valve assembly check that when only one channel of the system (one of the solenoids) is energised the protected system does not become pressurised. Check this for both channels.

When the connected control system is not energising the solenoids:

- Check that the solenoid indicator lamps are not illuminated.
- Check that the connected downstream system is properly vented to atmosphere and ensure that the condition of the silencers is not causing an extension of the vent time.
- Check that the switch contacts are closed.
- For the VP#44 duplex valve assembly check that when only one channel of the system (one of the solenoids) is de-energised the protected system is vented to atmosphere. Check this for both channels.

Warning

The specification of the valve requires the valve to be cycled (energised and de-energised) at least once per week.

6.4 Silencers

Warning

Ensure that any silencers fitted to the valve remain clean and uncontaminated in operation because blockage will affect the safety function.

Examine any silencers at least once per month and more frequently if necessary due to the nature of the application environment.

6.5 Troubleshooting guide

Symptom	Possible fault	Action
Valve does not open	Pilot valve is not energised	Check pilot solenoid indicator (light)
	Supply pressure is too low	Check supply pressure
	Pilot valve has failed	Replace whole valve
Valve does not close	Pilot valve remains energised	Check pilot solenoid indicator (light)
	Pilot valve is jammed	Replace whole valve
	Main valve is jammed	Replace whole valve
	Supply pressure is too high	Check supply pressure
Switch contacts do not open	Switch has failed	Replace whole valve
Switch contacts do not close	Switch has failed	Replace whole valve
Valve operation is noisy or erratic	Supply flow is inadequate	Increase supply pressure and/or flow
Valve is slow to pressurise protected system	Supply flow is inadequate	Increase supply pressure and/or flow.
	Once channel of valve is not functioning	Check 'Valve does not open' symptoms above
Valve is slow to vent protected system	Inadequate flow are in protected system	Revise flow in protected system
	One channel of valve is not functioning	Check 'Valve does not close' symptoms above

7 Limitations of Use

7.1 Limited warranty and Disclaimer/Compliance Requirements

- **The product used is subject to the following "Limited warranty and Disclaimer" and "Compliance Requirements". Read and accept them before using the product.**

- **Limited warranty and Disclaimer**

1) The warranty period of the product is 1 year in service or 1.5 years after the product is delivered, whichever is first⁽¹⁾. Also, the product may have specified durability, running distance or replacement parts. Please consult your nearest sales branch.

2) For any failure or damage reported within the warranty period which is clearly our responsibility, a replacement product or necessary parts will be provided.

This limited warranty applies only to our product independently, and not to any other damage incurred due to the failure of the product.

3) Prior to using SMC products, please read and understand the warranty terms and disclaimers noted in the specified catalogue for the particular products.

⁽¹⁾ Vacuum pads are excluded from this 1 year warranty.

A vacuum pad is a consumable part, so it is warranted for a year after it is delivered. Also, even within the warranty period, the wear of a product due to the use of the vacuum pad or failure due to the deterioration of rubber material are not covered by the limited warranty.

- **Compliance Requirements**

1) The use of SMC products with production equipment for the manufacture of weapons of mass destruction (WMD) or any other weapon is strictly prohibited.

2) The exports of SMC products or technology from one country to another are governed by the relevant security laws and regulations of the countries involved in the transaction. Prior to the shipment of a SMC product to another country, assure that all local rules governing that export are known and followed.

Caution

- **SMC products are not intended for use as instruments for legal metrology.**

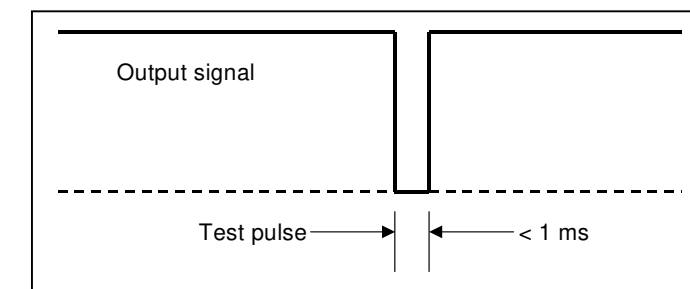
Measurement instruments that SMC manufactures or sells have not been qualified by type approval tests relevant to the metrology (measurement) laws of each country.

Therefore, SMC products cannot be used for business or certification ordained by the metrology (measurement) laws of each country.

7.2 Safety relays

Warning

If a safe output from a safety relay or PLC is used to operate this valve, ensure that any output test pulse duration is shorter than 1 ms to avoid the valve solenoid responding.



7.3 Limitations

Caution

This product is CE marked as a safety component as defined under the Machinery Directive 2006/42/EC. For details please refer to the Declaration of Conformity supplied with the product.

7 Limitations of Use - continued

The valve may only be used to provide the stated safety function for the supply and removal of pressure from all or part of a pneumatic system, under the total control of a supervisory device. The valve can only perform as a safety component when properly installed in a system conforming to the appropriate safety standards.

Any such use must be within the specified limits and application conditions for the product.

In order to meet a required performance level as defined by the appropriate safety standard, the user must provide all the other necessary components to complete function of the safety system.

The user is responsible for the specification, design, implementation, validation and maintenance of the safety system.

8 Contacts

AUSTRIA	SMC Pneumatik GmbH, Girakstrasse 8, AT-2100 Korneuburg
BELGIUM	SMC Belgium N.V./S.A. Nijverheidsstraat 20, B-2160 Wommelgem
BULGARIA	SMC Industrial Automation Bulgaria EOOD, Business Park Sofia, Building 8-6th floor, BG-1715 Sofia
CROATIA	SMC IndustrijskaAutomatikad.o.o. ZagrebačkaAvenija 104,10 000 Zagreb
CZECH REP.	SMC Industrial Automation CZ s.r.o. Hudcova 78a, CZ-61200 Brno
DENMARK	SMC Pneumatik A/S, Egeskovvej 1, DK-8700 Horsens
ESTONIA	SMC Pneumatics Estonia OÜ, Laki 12, EE-10621 Tallinn
FINLAND	SMC Automation Oy, PL72, Tiistinniityntie 4, SF-02031 Espoo
FRANCE	SMC France, 1, Boulevard de Strasbourg, Parc Gustave Eiffel, Bussy Saint Georges, F-77607 Marne La ValleeCedex 3
GERMANY	SMC Deutschland GmbH, Boschring 13-15, 63329 Egelsbach
GREECE	SMC Italia Hellas Branch, Anagenniseos 7-9-P.C. 14342 N.Philadelphia, Athens

HUNGARY	SMC Hungary IpariAutomatizálásiKft.Torbágy u. 19, HU-2045 Törökbálint
IRELAND	SMC Pneumatics (Ireland) Ltd.2002 Citywest Business Campus, Naas Road, Saggart, Co. Dublin
ITALY	SMC Italia S.p.A.Via Garibaldi 62, I-20061Carugate, (Milano)
LATVIA	SMC Pneumatics Latvia SIA, Dzelzavas str. 120g, Riga, LV-1021,
LITHUANIA	UAB "SMC Pneumatics", Oslo g. 1, LT-04123 Vilnius
NETHERLANDS	SMC Nederland B.V.De Ruyterkade 120, NL-1011 AB Amsterdam
NORWAY	SMC Pneumatics Norway AS, Vollsveien 13 C, GranfosNæringspark, N-1366 Lysaker
POLAND	SMC Industrial Automation, Polska Sp z o.o. 02-826 Warszawa, ul. Poloneza 89
PORTUGAL	SMC Sucursal Portugal, S.A.Rua De Eng Ferrerira Dias 452 4100-246, Porto
ROMANIA	SMC Romania S.r.l. StrFrunzei 29, Sector 2, Bucharest
RUSSIA	SMC Pneumatik LLC. Business centre, building 3, 15 Kondratjevskij prospect, St.Petersburg, 195197
SLOVAKIA	SMC PriemyselnáAutomatizáciaSpols.r.o. Fantranská 1223, Teplickanadvahom, 01301
SLOVENIA	SMC IndustrijskaAvtomatikad.o.o. Mirnskacesta 7, SLO-8210 Trebnje
SPAIN	SMC España S.A. Zuazobidea 14, 01015 Vitoria
SWEDEN	SMC Pneumatics Sweden AB,Ekhagsvägen 29-31, SE-141 71 Segeltorp
SWITZERLAND	SMC Schweiz AG,Dorfstrasse 7, Postfach, 8484 Weisslingen,
TURKEY	SMC PnömatikSanayiTicaretveServis A.Ş. GülbaharCaddesi, Aydın Plaza, No: 9/4 Güneşli – 34212 , Istanbul
UK	SMC Pneumatics (U.K.) Ltd., Vincent Avenue, Crownhill, Milton Keynes, Buckinghamshire MK8 0AN

SMC Corporation

URL : [http:// www.smcworld.com](http://www.smcworld.com) (Global) <http:// www.smceu.com> (Europe)
 'SMC Corporation, Akihabara UDX15F, 4-14-1, Sotokanda, Chiyoda-ku, Tokyo 101 0021

Specifications are subject to change without prior notice from the manufacturer.

© 2019 SMC Corporation All Rights Reserved.

Template DKP50047-F-085H