

Simple Specials: -XA1/6/17/21: Change of Guide Rod End Shape

These changes are dealt with Simple Specials System. Refer to the front matter pages for details.

7 MGP/MGQ: Change of Guide Rod End Shape

Symbol
-XA1/6/17/21

Applicable Series

Series		Action	Symbol for change of rod end shape	
MGP	Standard type	MGPM-Z	Slide bearing	XA1, 6, 17, 21
		MGPL-Z	Ball bushing bearing	XA1, 6
	With air cushion	MGPA-Z	Slide bearing	XA1, 6, 17, 21
		MGQA-Z	Ball bushing bearing	XA1, 6
MLGP	With lock	MLGPM	Slide bearing	XA1, 6, 17, 21
		MLGPL	Ball bushing bearing	XA1, 6
MGQ	Standard type	MGQM	Slide bearing	XA1, 6, 17, 21
		MGQL	Ball bushing bearing	XA1, 6
MVGQ	With valve	MVGQM	Slide bearing	XA1, 6, 17, 21
		MVGQL	Ball bushing bearing	XA1, 6

* For MGP, this is only applicable for the standard products (Basic type, With air cushion).

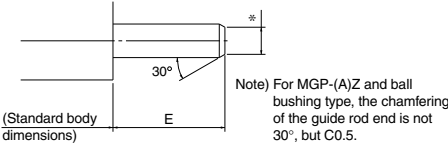
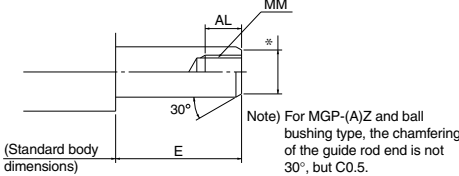
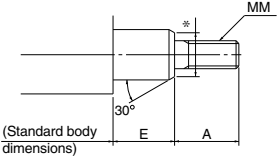
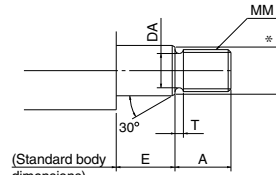
⚠ Precautions

- Ensure that the cylinder's overall length should not exceed the allowable overall length. In the case of exceeding the allowable overall length, it will be available as specials.
- In fig. (1) and (2) shown below, E' dimension cannot be set to less than E dimension of the standard product. Confirm by referring to the catalog.
- SMC will make appropriate arrangements if no dimension, tolerance, or finish instructions are given in the diagram.
- When the chamfering of the guide rod end is 30°, the * dimension is the guide rod diameter (D) - 2 mm. When the chamfering of the guide rod end is C0.5, the * dimension is the guide rod diameter (D) - 1 mm.

Bore size (mm)	Allowable overall length of cylinder (mm)
12, 16	345
20 to 32	540
40 to 63	561
80, 100	603

Fig. (1) For XA1, XA6 Fig. (2) For XA17, XA21

Guide Rod End Shape Pattern

<p>-XA1</p>  <p>(Standard body dimensions)</p>	<p>-XA6</p>  <p>(Standard body dimensions)</p>
<p>-XA17</p>  <p>(Standard body dimensions)</p>	<p>-XA21</p>  <p>(Standard body dimensions)</p>