

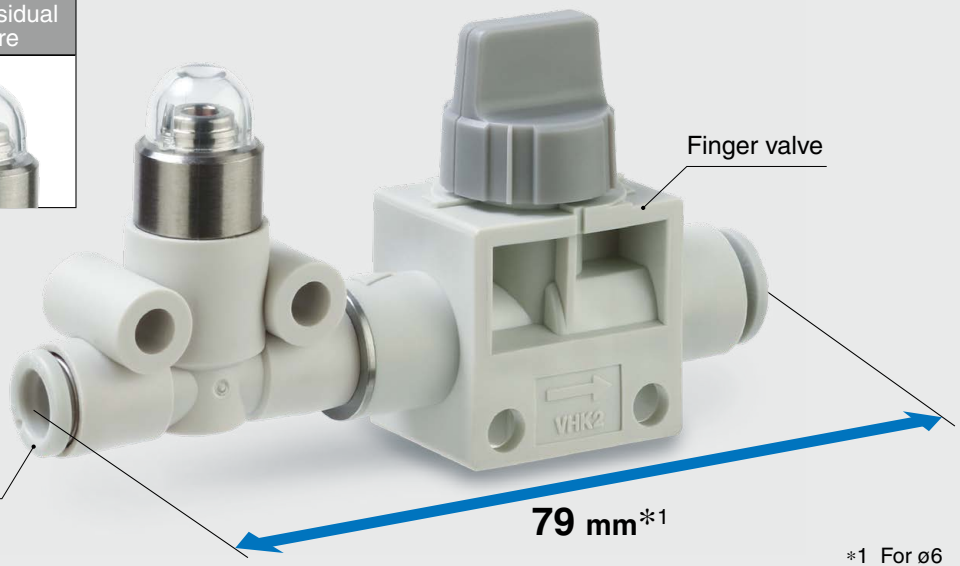
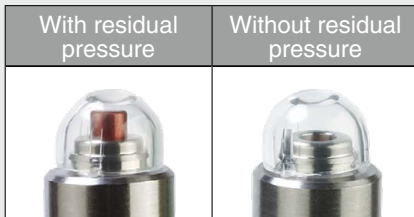
! Contact our sales office for delivery dates and prices as this is a special model.

Specialized Product **P.G.** Point to Group information

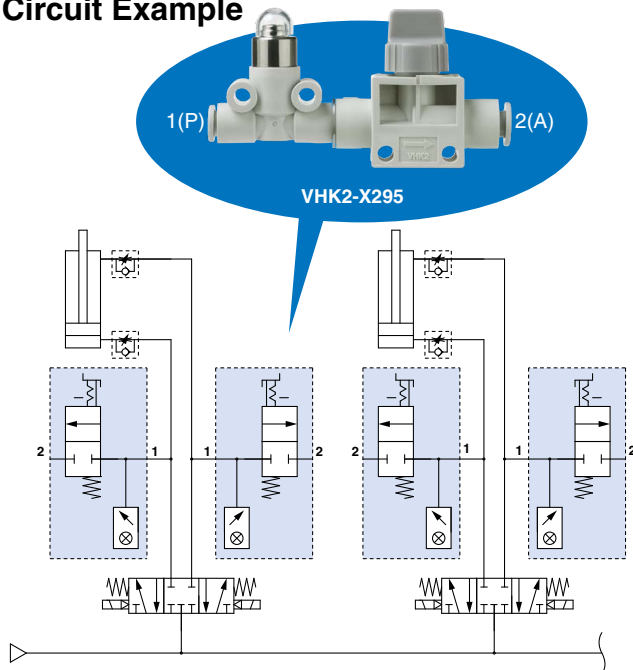
# Finger Valve with Pneumatic Indicator

## 2-Port VHK2-X295

**Features** Integrated pneumatic indicator and finger valve  
**Space saving, Reduced piping labor**  
 Exhaust and visual confirmation of residual pressure between the valve and the cylinder is possible.



### Circuit Example



Pneumatic indicator XT69-38-□□

\* Please contact SMC for details.



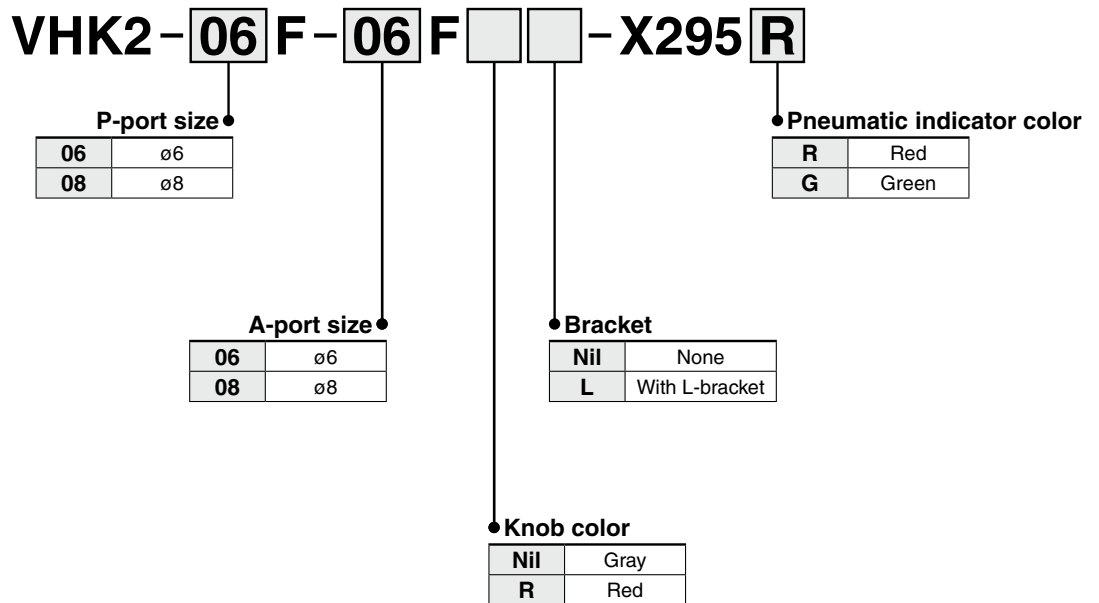
**Caution** To ensure the safest possible operation of this product, please be sure to thoroughly read the "Safety Instructions" in our "Best Pneumatics" catalog before use.

SMC Corporation 4-14-1, SOTO-KANDA, CHIYODA-KU, TOKYO 101-0021, JAPAN URL: <http://www.smcworld.com>  
 ©2018 SMC Corporation All Rights Reserved



SP183X-002E  
 P: WT

### How to Order



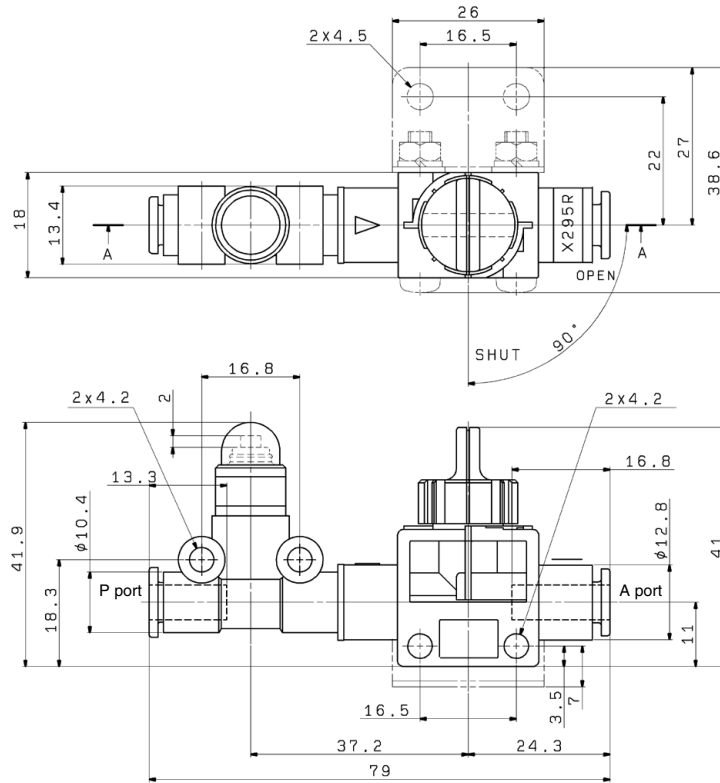
### Specifications

Fluid	Air
Maximum operating pressure	0.8 MPa
Minimum operating pressure	0.05 MPa
Ambient and operating air temperatures	0 to 60°C

**Dimensions**

[mm]

**VHK2-06F-06F□□-X295□**



**VHK2-08F-08F□□-X295□**

