

! Contact our sales office for delivery dates and prices as this is a special model.

Step Motor Controller

LECP6-XB55

Additional specifications for using input signals to perform jog operations



Features

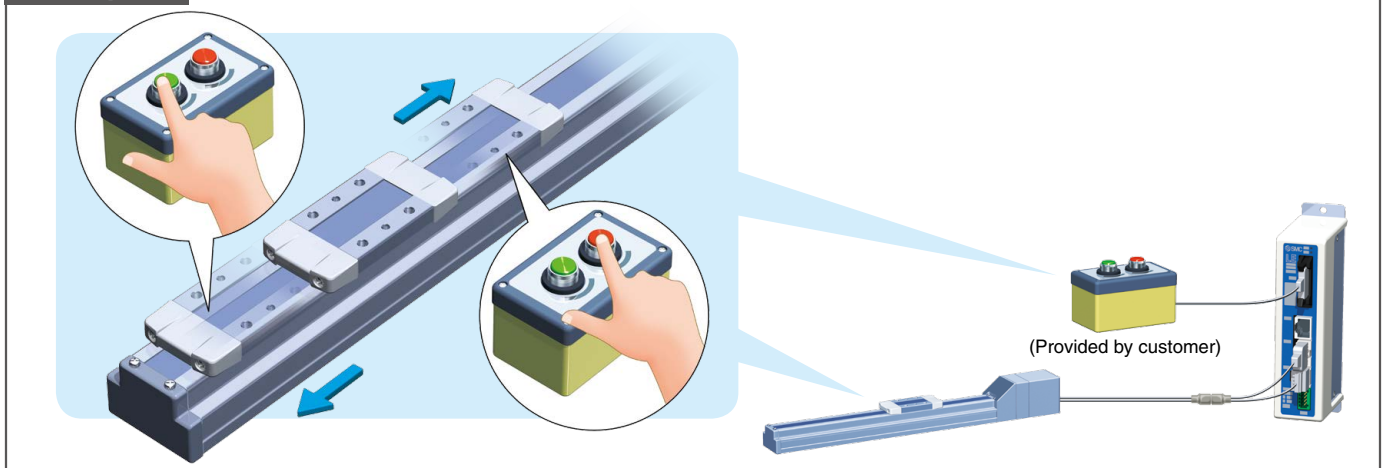
Jog operation can be performed using parallel input signals.

Jog operations that could previously only be performed on a setting tool can now be performed using the ON/OFF status of the input signal.

* Input signals "JOG+" and "JOG-" are used as motion instructions.

Application Examples

Optimal for adjusting the feed value using a button operation while checking the motion of the actuator



Specifications

Model	LECP6□-□-XB55	
Compatible motor	Step motor (Servo/24 VDC)	
Power supply	Power voltage: 24 VDC ±10%*1 [Including motor drive power, control power, stop, lock release]	
Parallel input	11 inputs (Photo-coupler isolation)	
Parallel output	13 outputs (Photo-coupler isolation)	
Function	Number of positioning points	32 points
	Jog input	○
	HOLD input	—
	Area output	○
	W area output	○
	Operating temperature range [°C]	0 to 40 (No freezing)
Operating humidity range [%RH]	90 or less (No condensation)	
Storage temperature range [°C]	-10 to 60 (No freezing)	
Storage humidity range [%RH]	90 or less (No condensation)	
Weight [g]	150 (Screw mounting),	
	170 (DIN rail mounting)	

*1 The power consumption changes depending on the actuator model. Refer to the actuator specifications for more details.

Control Timing Chart

Jog

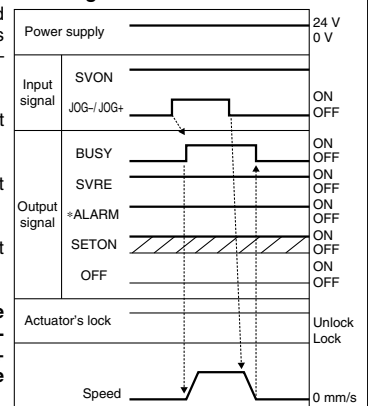
— Procedure —

- When an alarm is not generated (ALARM output ON) and the servo is ON (SVRE output ON), set the JOG- input or the JOG+ input to ON.
- Motion starts and the BUSY output goes ON.
- Set the JOG- input or the JOG+ input to OFF.
- Motion stops, and the BUSY output goes OFF.

* If the conditions of ① above are met, jog operation can be instructed by means of a JOG-/JOG+ input, regardless of whether the SETON output is ON or OFF.

* A JOG- input and a JOG+ input cannot be turned ON simultaneously.

— Timing Chart —



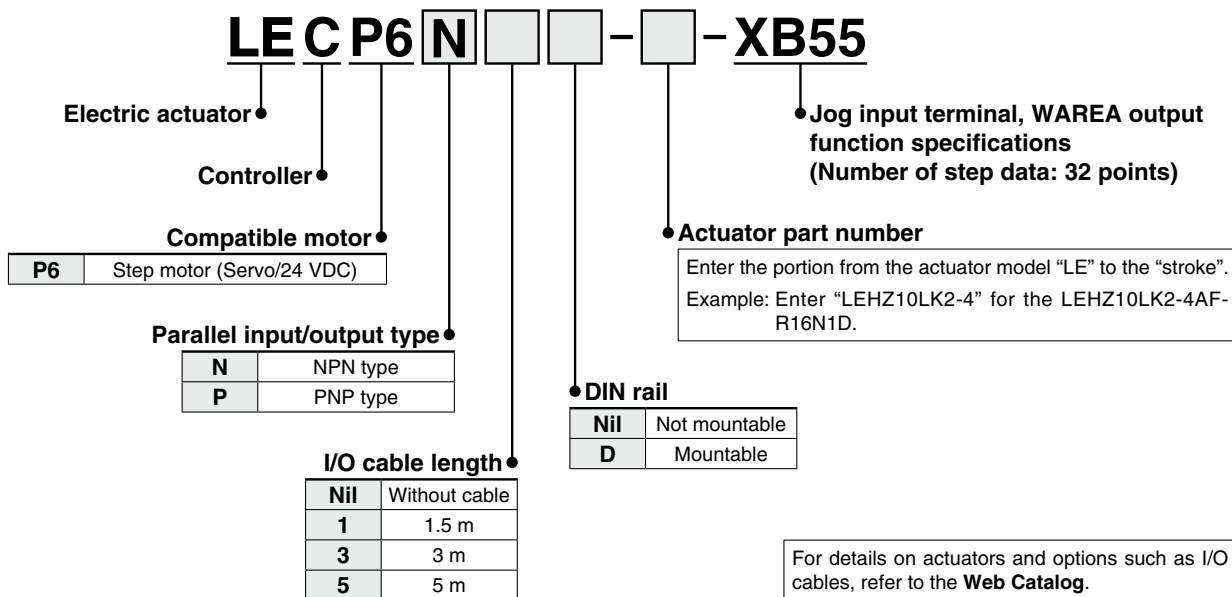
* *ALARM* is expressed as a negative-logic circuit.

Caution

To ensure the safest possible operation of this product, please be sure to thoroughly read the "Safety Instructions" in our "Best Pneumatics" catalog before use.

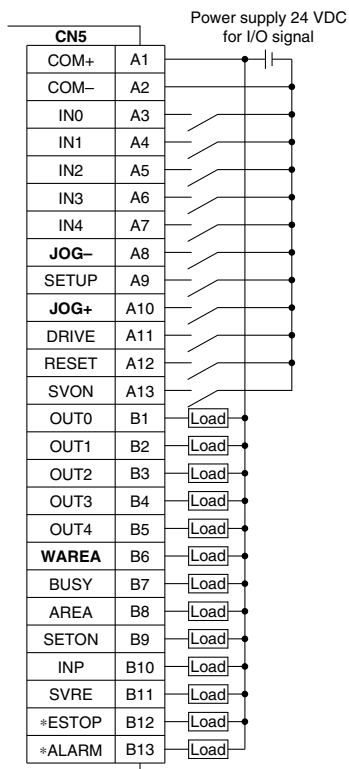


How to Order

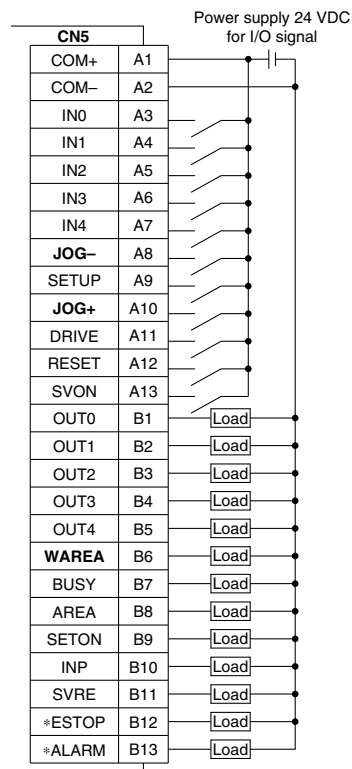


Wiring Diagram

■ NPN

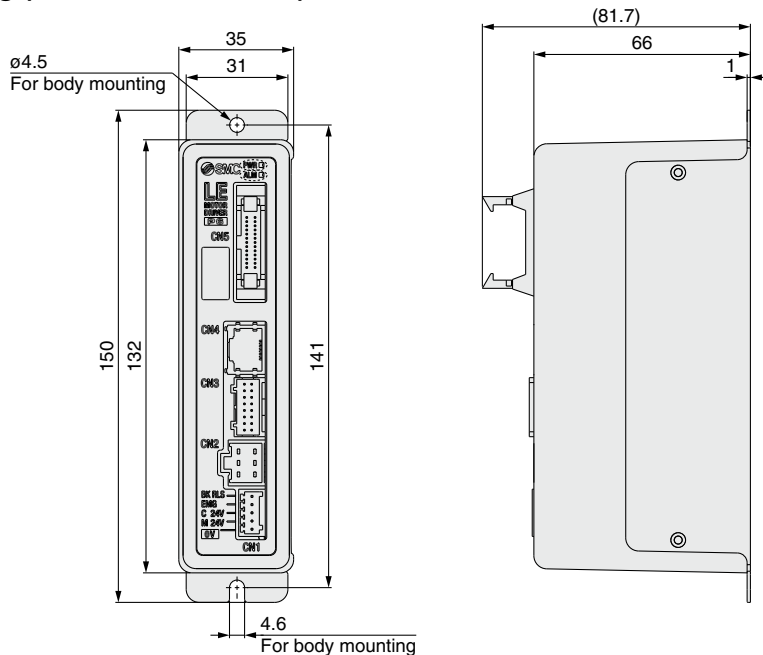


■ PNP



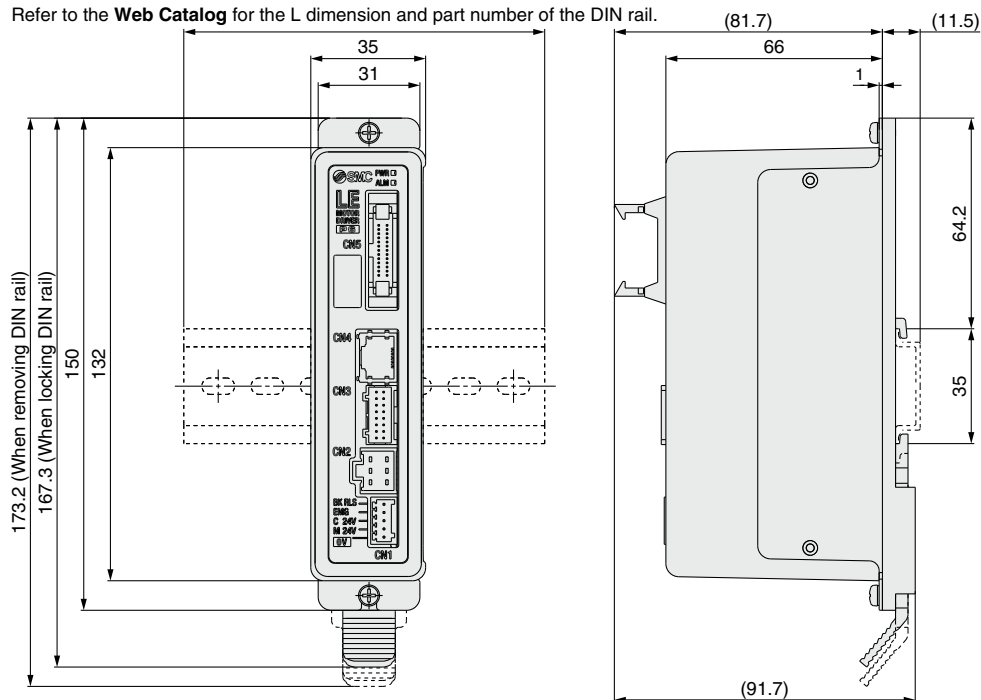
Dimensions

Screw mounting (LECP6□□-□-XB55)



DIN rail mounting (LECP6□□D-□-XB55)

Refer to the **Web Catalog** for the L dimension and part number of the DIN rail.



⚠ Caution

- ① **Jog operation is a function that is provided mainly for checking the operation of the machine when adjusting, inspecting, or performing maintenance on it.**
While a jog operation is taking place, the alarm related to operation (No. 149 Posn failed) will not be detected. For this reason, it is not recommended to use this function during automatic operation of the machine.
- ② **If the moving part of the electric actuator is caused to collide with an object during a jog operation, the electric actuator is likely to break down.**
Before using the actuator, carefully check that it will not collide with any objects.