

 Contact our sales office regarding a delivery date or a price since this is a special model.

SP093X-0J
P: NZ



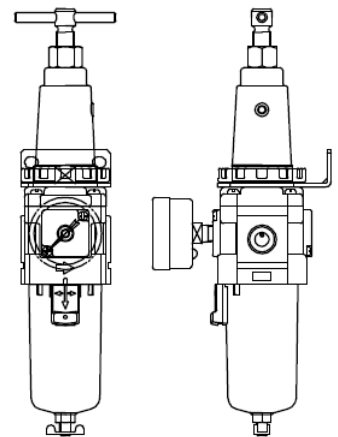
P.G.Information (Specialized product))

Special Temperature Environment (−40°C) Specifications Filter Regulator / AW − X

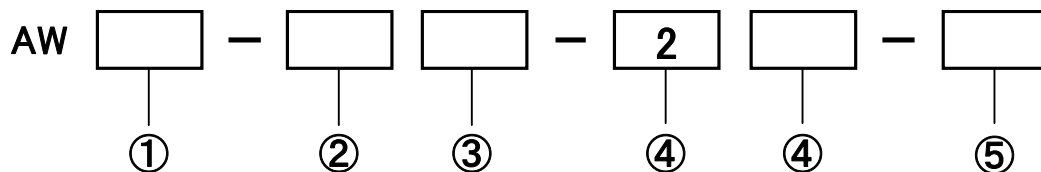
SMC CORPORATION
4-14-1, SOTO-KANDA, CHIYODA-KU,
TOKYO 101-0021, JAPAN
URL: <http://www.smcworld.com>

■ Feature: Special materials are used in the manufacturing of seals and resin parts to allow them to withstand various temperature conditions in cold climates.

Model	Ambient Temp.	Working Fluid Temp.
AW20−X2257	−40°C~85°C	−5°C~60°C (Should be no freezing)
AW30−X2220	−40°C~80°C	
AW40−X2515		



How to Order:



①	Body Size		
	20	30	40

②	Port Size	
	01	Rc1/8
	02	Rc1/4
	03	Rc3/8
	04	Rc1/2
	06	Rc3/4
	F01	G1/8
	F02	G1/4
	F03	G3/8
	F04	G1/2
	F06	G3/4
	N01	NPT1/8
N02	NPT1/4	
N03	NPT3/8	
N04	NPT1/2	
N06	NPT3/4	

③	Option	
	Nil	Without mounting option
	B	With bracket
	G	Round type pressure gauge
H	With set nut (for panel fitting)	

④	Semi-standard	
	1	0.2MPa Setting
	2	Metal Bowl
	N	Non-Relieving Type
R	Flow Direction: Right→Left	

Note) Only metal bowl [2] is available.

⑤	Special Temperature Environment (−40°C) Specifications	
	X2257	Body Size:20
	X2220	Body Size:30
	X2515	Body Size:40

WHEN SPECIFYING MORE THAN ONE OPTION, PLEASE LIST NUMERICALLY THEN ALPHABETICALLY.

COMBINATION OF ACCESSORY

B	BG
G	GH
H	

COMBINATION OF OPTIONS

2	12	2NR
2N	12N	12NR
2R	12R	

◇AW / Configuration

Model		①	②					③			④						
		Body Size	Nil (Rc)	N (NPT)	F (G)	01	02	03	04	06	B	G	H	1	2	N	R
AW	Filter Regulator	20	●	●	●	●	●				●	※	●	※	●		●
		30	●	●	●		●	●			●	●	●	●	●	●	●
		40	●	●	●		●	●	●	●	●	●	●	●	●	●	●

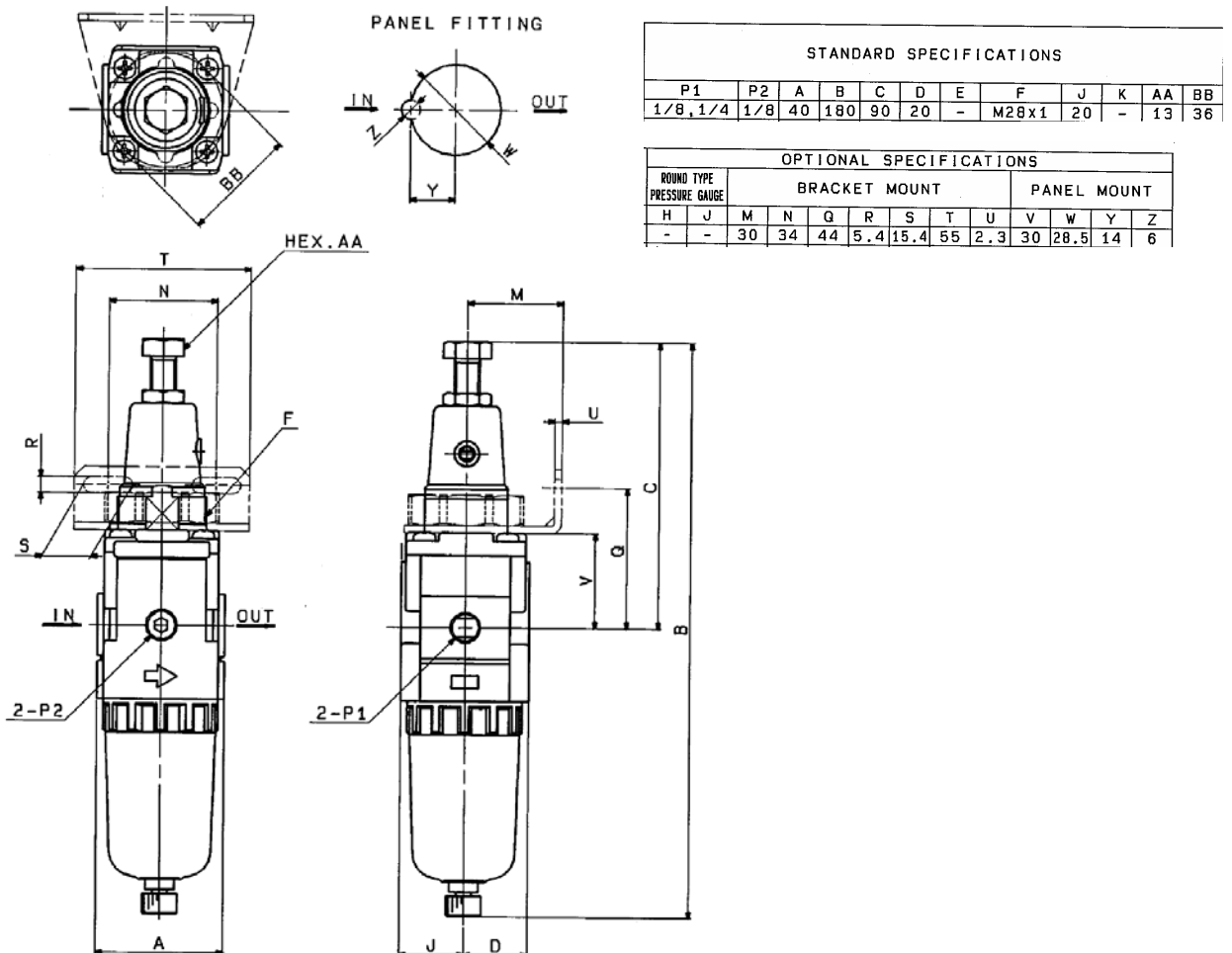
※Please consult with SMC if an AW20 with a pressure gauge [G] and 0.2MPa setting [1] is required.

■ Specifications :

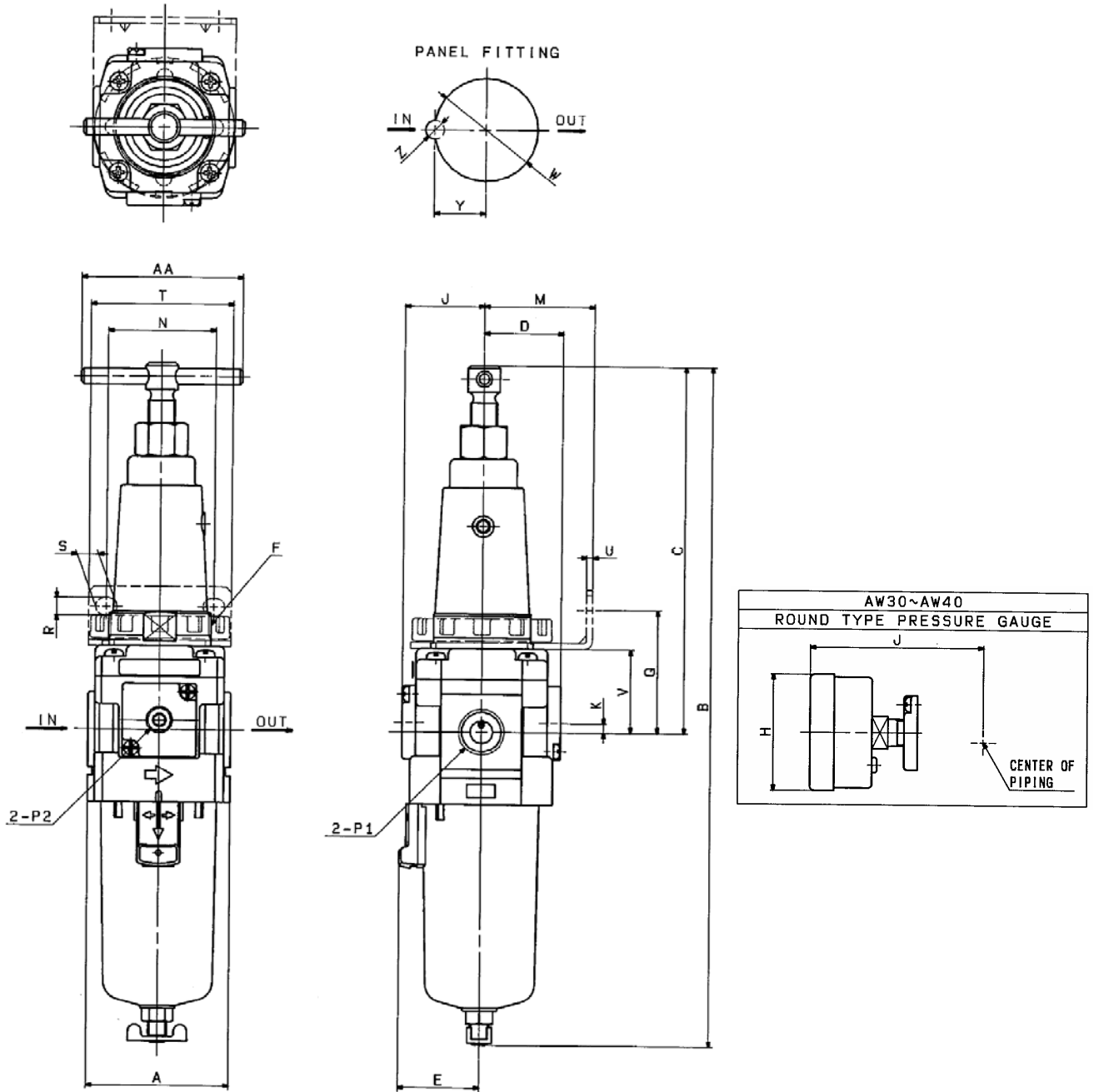
Proof Press.	1.5MPa	Working Fluid	Air
Max.Working Press.	1.0MPa	Rated Filtration	5µm
Set Press.	0.05~0.85MPa		
0.2MPa Setting	0.02~0.2MPa		

■ Dimensions: mm

◇AW20 – X2257



◇AW30—X2220, AW40—X2515



DIMENSIONS:

MODEL No.	STANDARD SPECIFICATIONS													OPTIONAL SPECIFICATIONS												
	P1		P2	A	B	C	D	E	F	J	K	AA	BB	ROUND TYPE PRESSURE GAUGE						BRACKET MOUNT			PANEL MOUNT			
	H	J	M	N	Q	R	S	T	U	V	W	Y	Z													
AW30-X2220	1/4, 3/8	1/8	53	254	137	29.5	30	M38x1.5	29.5	3.5	60	-	φ43	65	41	40	46	6.5	8	53	2.3	31	38.5	19	7	
AW40-X2515	1/4, 3/8, 1/2	1/4	70	308	159	37.5	38	M42x1.5	37.5	1.5	60	-	φ43	75	50	54	57.5	8.5	10.5	70	2.3	39	42.5	21	7	
AW40-06-X2515	3/4	1/4	75	311	161	37.5	38	M42x1.5	37.5	1.2	60	-	φ43	75	50	54	59	8.5	10.5	70	2.3	40.5	42.5	21	7	

⚠ Caution To ensure the safest possible operation of this product, please be sure to read thoroughly the "Safety Instructions" in our "Best Pneumatics" catalog before use.