

! Contact our sales office for delivery dates and prices as this is a special model.

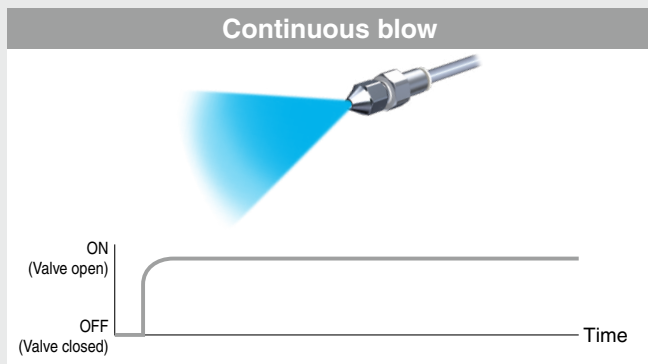
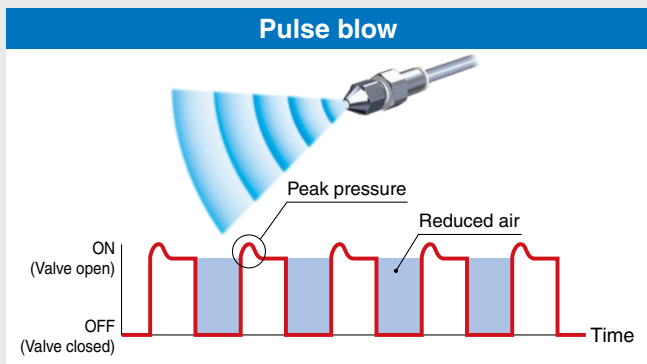
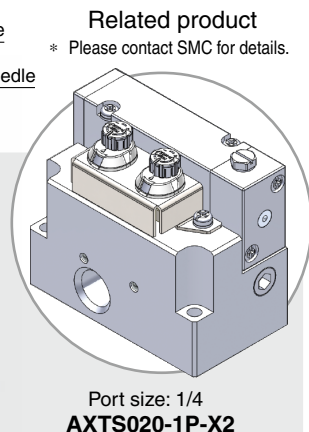
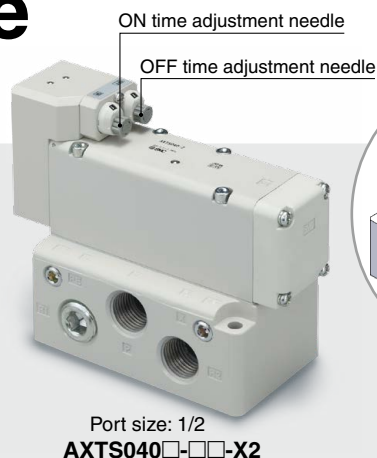
Pulse Blowing Valve

AXTS040□-□□-X2

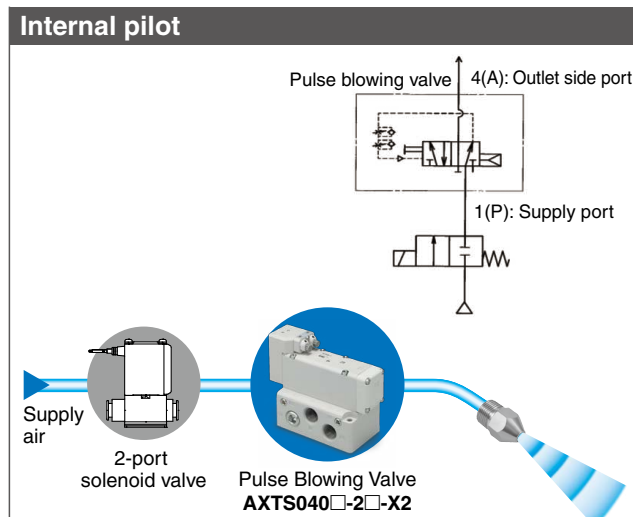
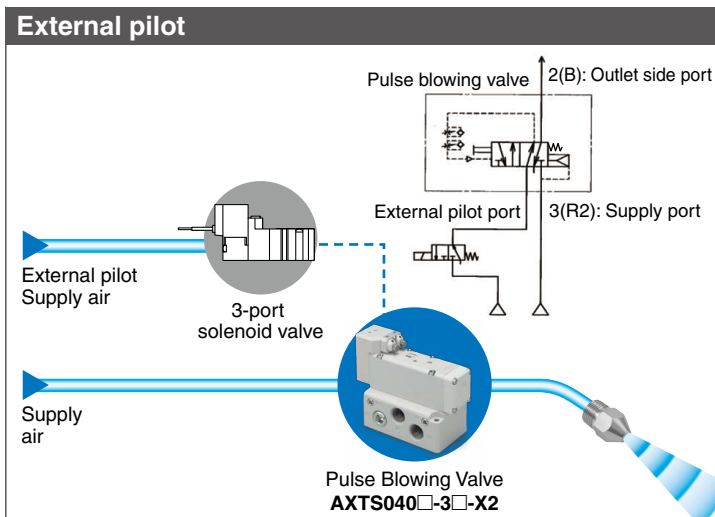
Features

• The peak pressure of repeatedly colliding air permits efficient blowing.

■ Air consumption:
Reduced by 50%*1 or more
 *1 When ON time to OFF time is 1 to 1 (Duty ratio 0.5)



■ Control for pulse generation is not required. Pulse blow can be used by simply supplying air.



■ Long service life (200 million cycles or more)

■ ON/OFF time adjustable individually

■ Flow rate characteristics

■ Operating pressure range: 0.2 to 1.0 MPa

Type of actuation	C [dm ³ /(s·bar)]	b	Cv
External pilot	14	0.18	3.4
Internal pilot	12	0.14	2.9

Caution To ensure the safest possible operation of this product, please be sure to thoroughly read the "Safety Instructions" in our "Best Pneumatics" catalog before use.

How to Order

AXTS 040 □ - 3 □ - X2

Body size	040 1/2	Direct manual override	Nil None B Locking type
Thread type	Nil Rc F G N NPT T NPTF	Type of actuation	2 Internal pilot 3 External pilot

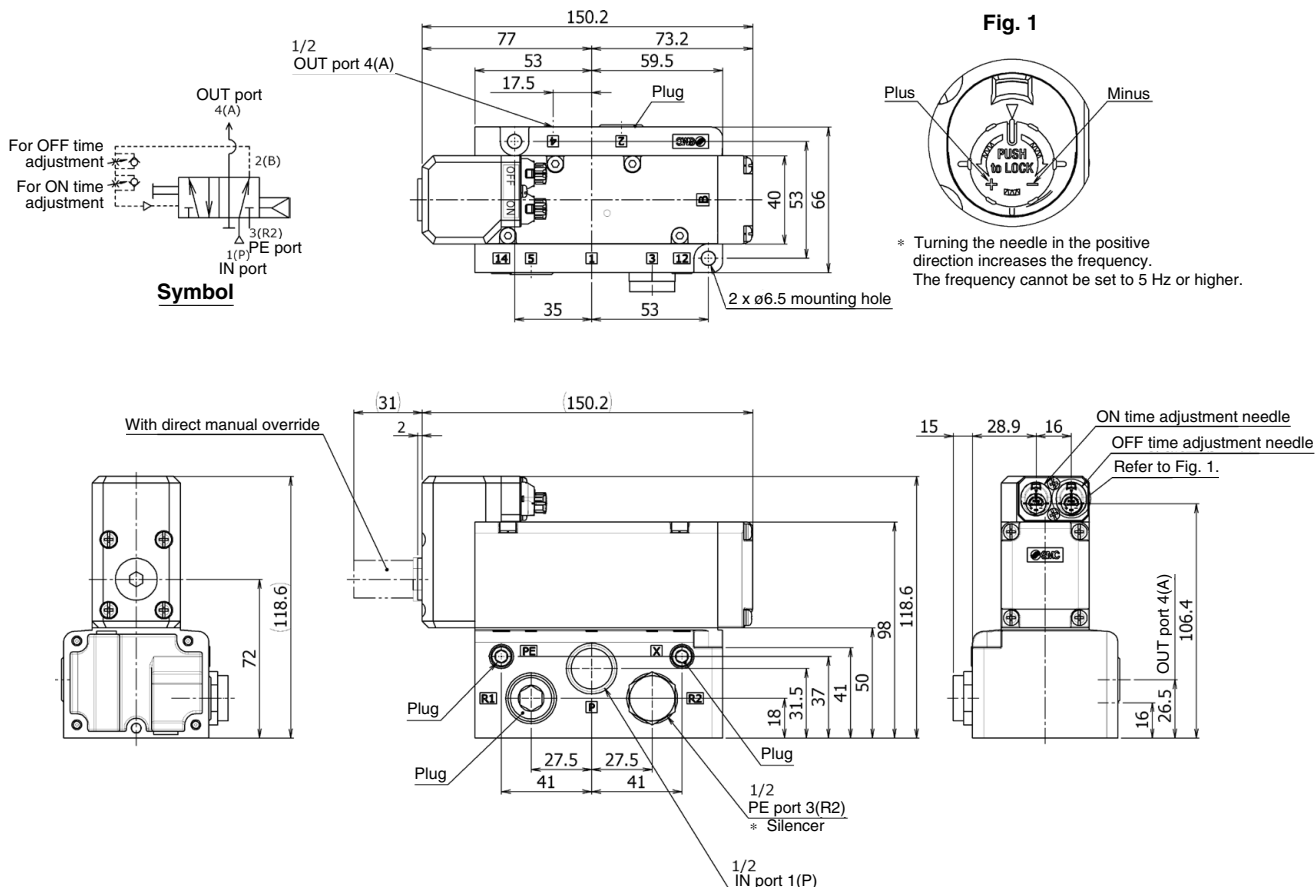
Specifications

Model	AXTS040□-2□-X2	AXTS040□-3□-X2	
Type of actuation	Internal pilot	External pilot	
Valve construction	Metal seal		
Fluid	Air		
Operating pressure range	0.2 to 1.0 MPa	0 to 1.0 MPa	
External pilot air pressure	—	0.2 to 1.0 MPa	
Frequency adjustment range	1 to 5 Hz	1 to 8 Hz	
Proof pressure	1.5 MPa		
Ambient and fluid temperatures	-10 to 50°C		
Lubrication	Not required		
Flow rate characteristics (IN port → OUT port)	C [dm ³ /(s·bar)]	12	14
	b	0.14	0.18
	Cv	2.9	3.4

Dimensions

[mm]

Internal pilot



Dimensions

[mm]

External pilot

