

! Contact our sales office for delivery dates and prices as this is a special model.

Specialized Product

Point to Group
P.G. information

Electric Actuator with Protective Cover: Slider Type, Ball Screw Drive

LEFS32-X1033

Step Motor (Servo/24 VDC) Type

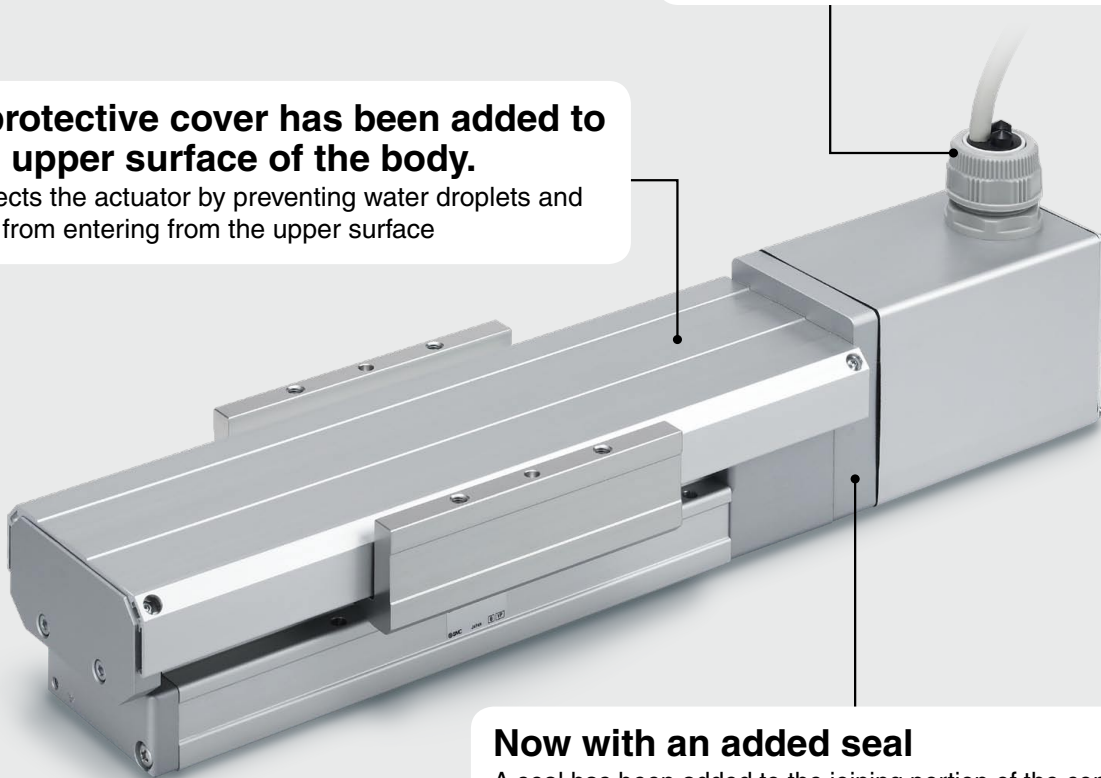
Features

A protective cover has been added to the upper surface of the body.

Protects the actuator by preventing water droplets and dust from entering from the upper surface

Now with a seal connector

Prevents the intrusion of water droplets and dust from between the cable and the motor cover



Now with an added seal

A seal has been added to the joining portion of the components. Prevents the intrusion of water droplets and dust into the product

Step Motor (Servo/24 VDC) Controller/Driver

▶ Step Data Input Type LECP6 Series

- 64 positioning points
- Input using teaching box or controller setting kit



▶ CC-Link Direct Input Type LECPMJ Series



- #### ▶ Programless Type LECP1 Series
- 14 positioning points
 - Control panel setting



▶ Pulse Input Type LECPA Series



Caution

To ensure the safest possible operation of this product, please be sure to thoroughly read the "Safety Instructions" in our "Best Pneumatics" catalog before use.

SMC Corporation 4-14-1, SOTO-KANDA, CHIYODA-KU, TOKYO 101-0021, JAPAN URL: <http://www.smcworld.com>

©2017 SMC Corporation All Rights Reserved



SP167X-017E
P: VU

How to Order

LEFS **H** **32** **H** - **200** **B** **N** - **R** **1** **6N** **1** **D** - **X1033**

①

②

③

④

⑤

⑥

⑦

⑧

① Accuracy

Nil	Basic type
H	High-precision type

② Lead [mm]

Symbol	LEFS32
H	24
A	16
B	8

③ Stroke [mm]

50	50
to	to
1000	1000

④ Motor option

Nil	Without lock
B	With lock

⑤ Actuator cable length [m]

Nil	Without cable
1	1.5
3	3
5	5
8	8
A	10
B	15
C	20

⑥ Controller/Driver type

Nil	Without controller/driver	
6N	LECP6	NPN
6P	(Step data input type)	PNP
1N	LECP1	NPN
1P	(Programless type)	PNP
MJ	LECPMJ	—
	(CC-Link direct input type)	
AN	LECPA	NPN
AP	(Pulse input type)	PNP

⑦ I/O cable length/Communication plug connector

For 6□, 1□, A□: I/O cable length

Nil	Without cable
1	1.5 m
3	3 m
5	5 m

For MJ: Communication plug connector

Nil	None
S	Straight type
T	T-branch type

⑧ Controller/Driver mounting

Nil	Screw mounting
D	DIN rail mounting

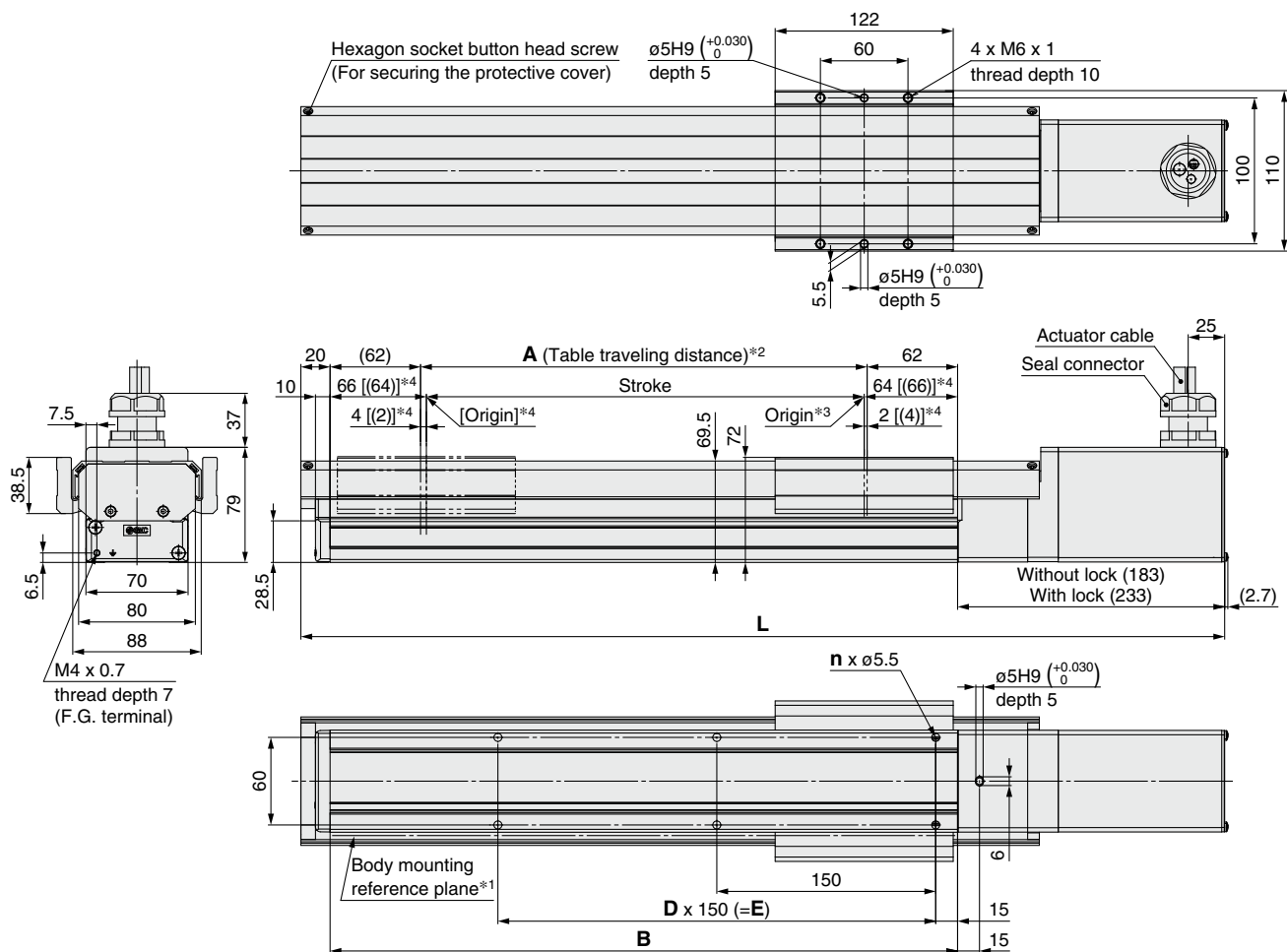
Applicable Stroke Table [mm]

	50	100	150	200	250	300	350	400	450	500	550	600	650	700	750	800	850	900	950	1000	
LEFS32	●	●	●	●	●	●	●	●	●	●	●	●	●	●	●	●	●	●	●	●	●

Specifications

Model		LEFS32-X1033					
Actuator specifications	Stroke [mm]	50 to 1000					
	Work load [kg]	Horizontal	LECP6/LECP1/LECPMJ	19	44	49	
			LECPA	14	39	44	
	Controller type: LECP6 LECP1 LECPMJ	Speed [mm/s]	Stroke range	Vertical	3	9	19
				Up to 500	24 to 1200	16 to 800	8 to 520
				501 to 600			8 to 400
				601 to 700	24 to 930	16 to 620	8 to 310
				701 to 800	24 to 750	16 to 500	8 to 250
				801 to 900	24 to 610	16 to 410	8 to 200
	Driver type: LECPA	Speed [mm/s]	Stroke range	901 to 1000	24 to 500	16 to 340	8 to 170
				Up to 600	24 to 1200		
				601 to 700	24 to 930	16 to 500	8 to 250
				701 to 800	24 to 750		
	801 to 900			24 to 610	16 to 410	8 to 200	
				24 to 500	16 to 340	8 to 170	
Max. acceleration/deceleration [mm/s ²]		3,000					
Positioning repeatability [mm]		Basic type	±0.02				
		High-precision type	±0.015 (Lead H: ±0.02)				
Lost motion [mm]		Basic type	0.1 or less				
		High-precision type	0.05 or less				
Lead [mm]		24	16	8			
Impact/Vibration resistance [m/s ²]		50/20					
Actuation type		Ball screw					
Guide type		Linear guide					
Operating temperature range [°C]		5 to 40					
Operating humidity range [%RH]		90 or less (No condensation)					
Electric specifications	Motor size	□56.4					
	Motor type	Step motor (Servo/24 VDC)					
	Encoder	Incremental A/B phase (800 pulse/rotation)					
	Rated voltage [V]	24 VDC ±10%					
	Power consumption [W]	50					
	Standby power consumption when operating [W]	44					
	Max. instantaneous power consumption [W]	123					
Lock unit specifications	Type	Non-magnetizing lock					
	Holding force [N]	72	108	216			
	Power consumption [W]	5					
	Rated voltage [V]	24 VDC ±10%					

Dimensions



Dimensions

Model	L		A	B	n	D	E
	Without lock	With lock					
LEFS□32□-50□□-R□□□□-X1033	383	433	56	180	4	—	—
LEFS□32□-100□□-R□□□□-X1033	433	483	106	230			
LEFS□32□-150□□-R□□□□-X1033	483	533	156	280			
LEFS□32□-200□□-R□□□□-X1033	533	583	206	330			
LEFS□32□-250□□-R□□□□-X1033	583	633	256	380	6	2	300
LEFS□32□-300□□-R□□□□-X1033	633	683	306	430			
LEFS□32□-350□□-R□□□□-X1033	683	733	356	480	8	3	450
LEFS□32□-400□□-R□□□□-X1033	733	783	406	530			
LEFS□32□-450□□-R□□□□-X1033	783	833	456	580			
LEFS□32□-500□□-R□□□□-X1033	833	883	506	630			
LEFS□32□-550□□-R□□□□-X1033	883	933	556	680	10	4	600
LEFS□32□-600□□-R□□□□-X1033	933	983	606	730			
LEFS□32□-650□□-R□□□□-X1033	983	1033	656	780	12	5	750
LEFS□32□-700□□-R□□□□-X1033	1033	1083	706	830			
LEFS□32□-750□□-R□□□□-X1033	1083	1133	756	880			
LEFS□32□-800□□-R□□□□-X1033	1133	1183	806	930			
LEFS□32□-850□□-R□□□□-X1033	1183	1233	856	980	14	6	900
LEFS□32□-900□□-R□□□□-X1033	1233	1283	906	1030			
LEFS□32□-950□□-R□□□□-X1033	1283	1333	956	1080	16	7	1050
LEFS□32□-1000□□-R□□□□-X1033	1333	1383	1006	1130			

*1 When mounting the actuator using the body mounting reference plane, set the height of the opposite surface or pin to be 3 mm or more. (Recommended height 5 mm)

*2 This is the distance within which the table can move when it returns to origin. Make sure workpieces mounted on the table do not interfere with the workpieces and facilities around the table.

*3 Position after returning to origin

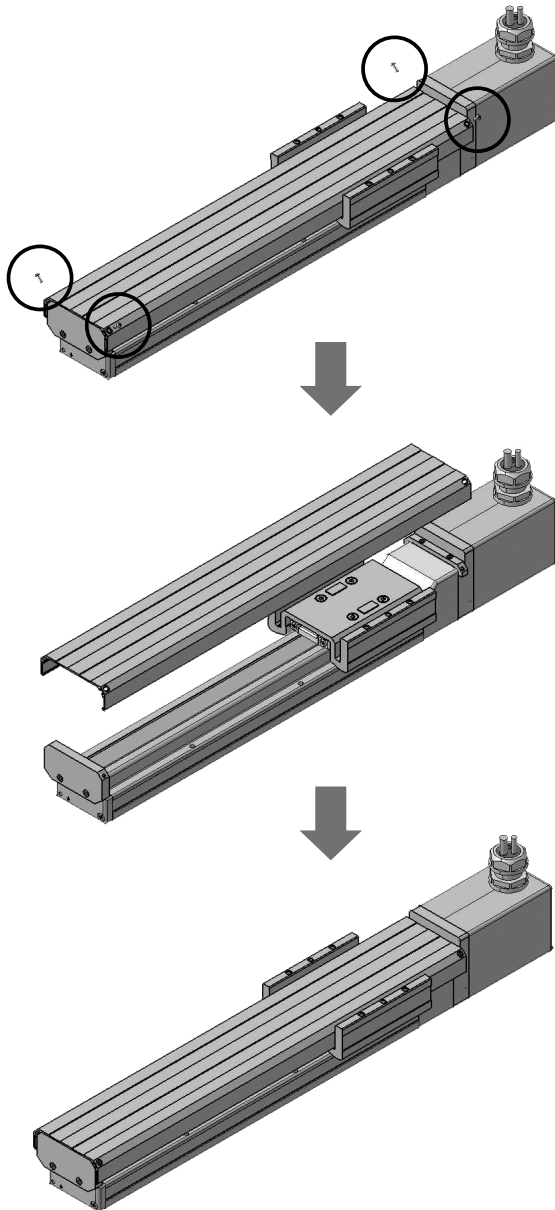
*4 [] for when the direction of return to origin has changed.

* For details, refer to the **Web Catalog**.

Weight

Stroke [mm]	50	100	150	200	250	300	350	400	450	500	550	600	650	700	750	800	850	900	950	1000	Additional weight with lock [kg]
Product weight [kg]	4.35	4.55	4.75	4.95	5.15	5.35	5.55	5.75	5.95	6.15	6.35	6.55	6.75	6.95	7.15	7.35	7.55	7.75	7.95	8.15	0.53

Body Mounting



1. Remove the four hexagon socket button head screws M3 x 8 (Tightening torque: 0.6 N·m) securing the cover.

2. Remove the cover and secure the body.
* The body securing method is the same as that of the LEFS series standard product.

3. Attach the cover in the reverse procedure, and secure it with the four hexagon socket button head screws M3 x 8 (Tightening torque: 0.6 N·m).

Precautions

1. Enclosure

This is not an IP guaranteed product. **Please determine if the product is applicable for use by considering the environment where it is to be installed.**

2. Protection

There is no protection from water droplets and dust entering from the bottom of the body.

3. Mounting orientation

This product cannot be wall mounted or bottom mounted.

If the product is mounted vertically, it can only be used in certain cases, depending on the direction from which water droplets and dust may enter the product.

4. Body mounting

Remove the protective cover before mounting. (Remove the hexagon socket button head screws.)

The tightening torque of the hexagon socket button head screws when attaching the cover is 0.6 N·m. The body securing method is the same as that of the LEFS series standard product.

5. Actuator cable

The length of the cable is about 100 mm shorter because the cable is assembled when shipped. Refer to the **Web Catalog** for details on the actuator cable.

6. Other

Regarding this product, if there is no individual contract or agreement regarding the product delivery specifications, the safety instructions specified in the catalog apply. Please consult the SMC sales office for details.