



Contact our sales office for delivery dates and prices since this is a special model.

SP112X-013E-A
P: TZ



P.G. Information (Specialized Product)

Cylinder with Lock

MNB※ — ※ — X1896A(B)

SMC Corporation
4-14-1, SOTO-KANDA,
CHIYODA-KU,
101-0021, JAPAN
URL: <http://www.smcworld.com>

Features 1: Strong lock holding force

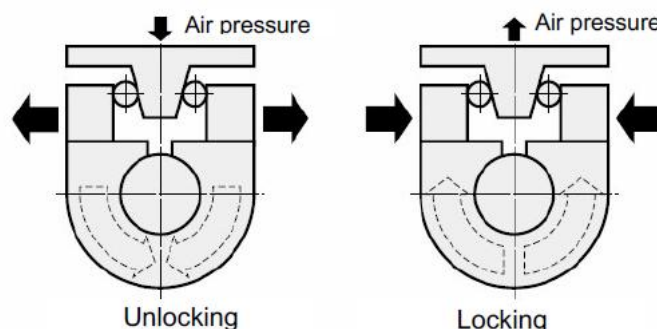
Max. static load is equivalent to 0.8MPa



φ32



φ40 to 63

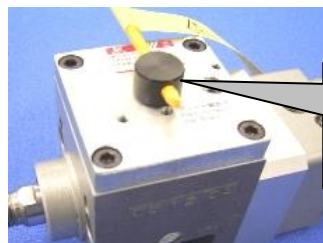


Features 2: Easy maintenance

i) Lock unit and cylinder can be separated.



ii) Unlock can be maintained manually.



Unlock can be maintained by inserting a specialized

Features 3: Bore size φ32 to φ100

Features 4: Mounting dimensions are interchangeable with the standard MNB series

■ Specifications

Tube bore	φ32	φ40	φ50	φ63	φ80	φ100
Port size	Rc1/8	Rc1/4	Rc1/4	Rc3/8	Rc3/8	Rc1/2
Fluid	Compressed air					
Action	Double acting					
Max. operating pressure	1.0MPa					
Min. operating pressure	Cylinder: 0.05 MPa Brake: 0.3 MPa					
Proof pressure	1.5MPa					
Ambient and fluid temperature	0~60 °C (No freezing)					
Piston speed	50 ~ 1000 (mm/sec)					
Cushion	Provided					
Lubrication	Non-lube					
Stop accuracy	±1.0mm (300mm/sec, at no load)					
Brake holding force (Max. static load)	0.63KN	0.98KN	1.57KN	2.45KN	3.92KN	5.88KN
	64kgf	100kgf	160kgf	250kgf	400kgf	600kgf
Brake release port	Rc1/8	Rc1/8	Rc1/8	Rc1/4	Rc1/4	Rc3/8
Manual release port	M6x1.0	M10x1.5	M10x1.5	M12x1.75	M14x2.0	M16x2.0

■ Weight

Tube bore (mm)	Weight (kg) when stroke (S) is 00mm						Additional weight per S=50mm
	Basic	Foot	Flange	Single clevis	Double clevis	Trunnion	
φ32	1.11	1.23	1.40	1.36	1.37	1.40	0.11
φ40	1.50	1.64	1.87	1.73	1.77	1.86	0.16
φ50	2.57	2.79	3.02	2.91	3.00	3.05	0.26
φ63	3.42	3.70	4.21	4.05	4.21	4.22	0.27
φ80	7.46	7.96	8.91	8.57	8.86	9.01	0.42
φ100	10.28	10.94	13.59	13.45	13.97	13.95	0.56

How to Order

【φ 32】

With auto switch

MDNB L 32-100-D-M9B -X1896B

Bore size

32	32 mm
----	-------

【φ 40~100】

With auto switch

MDNB L 50-100-D-M9B -X1896A

With auto switch

Mounting style

Number of auto switch

Nil	2pcs.
S	1pc.
n	"n"pcs.

B	Basic style
L	Axial foot style
F	Rod side flange style
G	Head side flange style
C	Single clevis style
D	Double clevis style

Auto switch

Nil	Without auto switch
-----	---------------------

Locking direction

D	Both direction
---	----------------

Bore size

40	40 mm
50	50 mm
63	63 mm
80	80 mm
100	100 mm

Cylinder stroke (mm)

Note: [B] needs to be added to the end of the P/N for φ 32.

Note: [A] needs to be added to the end of the P/N for φ 40 to 100.

■ **P/N of lock unit (without adaptor)**

Please place an order using the P/N below if a lock unit is replaced for maintenance purposes.

MNB Bore size **—UA—X1896□**



φ32




φ40 to 63

Suffix

B	φ 32
A	φ 40 to 100

* For maintenance, please confirm that the special P/N code (X1896, X1896A, X1896B) at the end of the P/N is the same as the end of the P/N of lock unit.

Dimensions: mm (Please contact us.)

 Caution To ensure the safest possible operation of this product, please be sure to thoroughly read the "Safety Instructions" in our "Best Pneumatics" catalog before use.