

△ Contact our sales office for delivery dates and prices as this is a special model.

# SVC P.G. Information *(Specialized Product)*

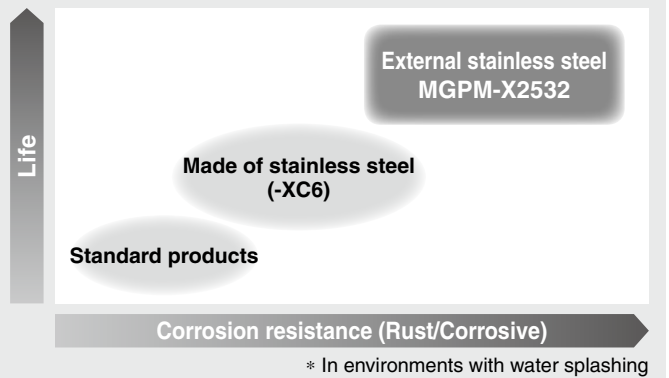
SP142X-002E  
RP: SR

## External stainless steel Compact Guide Cylinder MGPM\*-X2532 Series

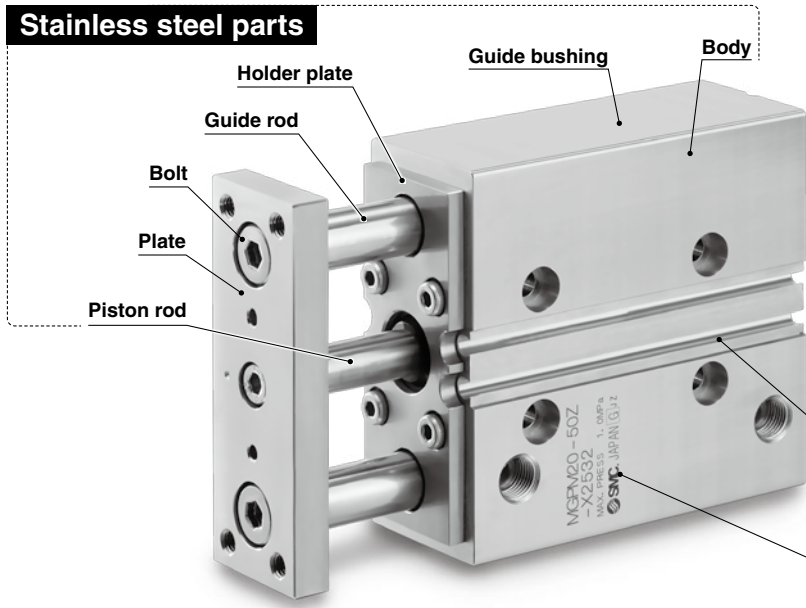
SMC CORPORATION  
4-14-1, SOTO-KANDA,  
CHIYODA-KU,  
TOKYO 101-0021, JAPAN  
URL: <http://www.smcworld.com>

### ■ Features

# Improved corrosion resistance in environments exposed to water



Stainless steel is used for all external metal parts.



### Improved Durability

- Lube-retainer (stable lubrication function) is installed on the guide rod.
- Water resistant special scraper is installed on the piston rod.


The overall length and mounting are the same as those of the standard model.

- Water resistance solid state auto switch can be mounted  
D-M9□A
- Laser marking (Cylinder plate)  
Can not be peeled off, even when wet.

- For use with grease for food processing machines (Approved by NSF-H1)

### Variation

Offered in the following variations.

Series	Bearing type	Bore size (mm)									
		12	16	20	25	32	40	50	63	80	100
MGPM-X2532 	Slide bearing			●*1	●*1	●*2	●*2				

\*1: available only in 50 stroke.  
\*2: available only in 75 stroke.

## How to Order

**MGP M 20 - 50 Z - M9BA - X2532**

Slide bearing

Bore size (mm)	Stroke (mm)
20	50
25	50
32	75
40	75

\* Refer to the following for "Manufacture of Intermediate of Stroke".

External stainless steel

Number of auto switches

Nil	2 pcs.
S	1 pc.
n	n pcs.

Auto switch

Nil	Without auto switch (Built-in magnet)
-----	---------------------------------------

\* For applicable auto switch model, refer to the table below.

**Applicable Auto Switches**/Refer to the **WEB catalog** or the Best Pneumatics No. 3 for further information on auto switches.

Type	Special function	Electrical entry	Indicator light	Wiring (Output)	Load voltage		Auto switch model		Lead wire length (m)				Pre-wired connector	Applicable load		
					DC	AC	Perpendicular	In-line	0.5 (Nil)	1 (M)	3 (L)	5 (Z)		IC circuit	Relay, PLC	
Solid state auto switch	Water resistant (2-color display)	Grommet	Yes	3-wire (NPN)	24 V	5 V, 12 V	M9NAV*	M9NA*	○	○	●	○	○	○	—	—
				3-wire (PNP)					○	○	●	○				
				2-wire					○	○	●	○				

\* Solid state auto switches marked with "○" are produced upon receipt of order.

\* Lead wire length symbols 0.5 m..... Nil (Example) M9BA  
 1 m..... M (Example) M9BAM  
 3 m..... L (Example) M9BAL  
 5 m..... Z (Example) M9BAZ

\* Auto switches are shipped together, (but not assembled).

## Specifications

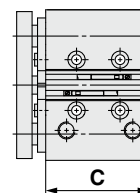
### Specifications

Bore size (mm)	20	25	32	40
<b>Action</b>	Double acting			
<b>Fluid</b>	Air			
<b>Proof pressure</b>	1.5 MPa			
<b>Maximum operating pressure</b>	1.0 MPa			
<b>Minimum operating pressure</b>	0.1 MPa			
<b>Ambient and fluid temperature</b>	-10 to 60°C (No freezing)			
<b>Piston speed</b> (Note)	50 to 500 mm/s			
<b>Cushion</b>	Rubber bumper on both ends			
<b>Lubrication</b>	Not required (Non-lube)			
<b>Stroke length tolerance</b>	$^{+1.5}_0$ mm			
<b>Weight</b>	2.0 kg	2.6 kg	4.7 kg	5.5 kg

Note) Maximum speed with no load.

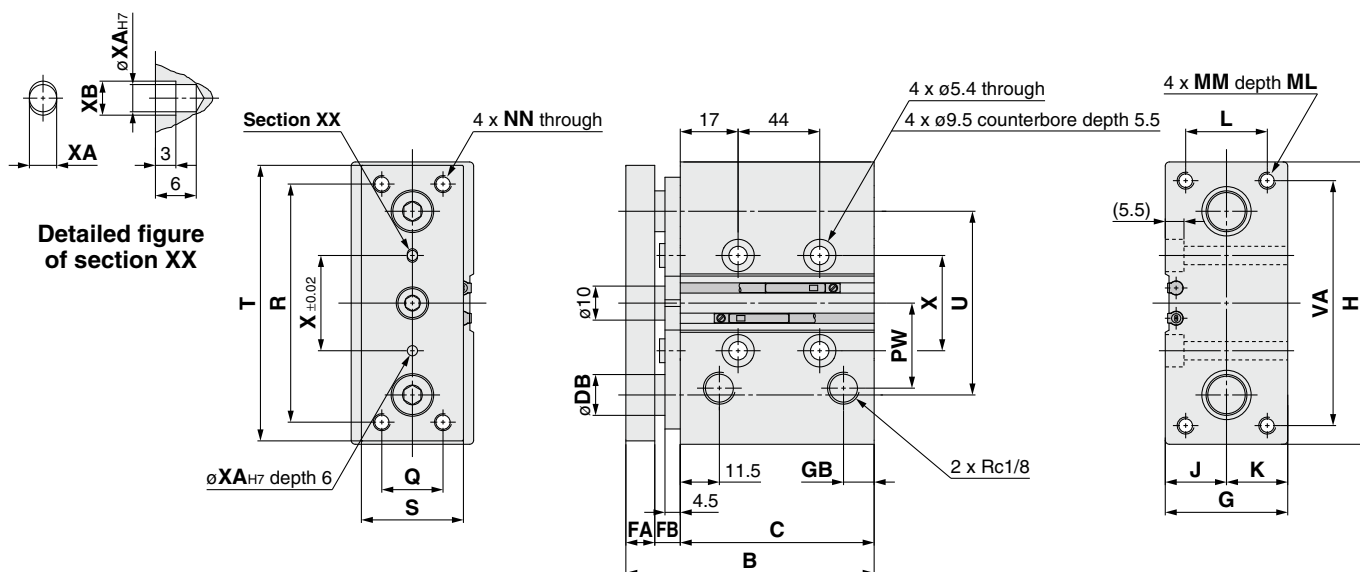
### Manufacture of Intermediate Strokes

Description	Spacer installation type Spacers are installed in the standard stroke cylinder. • ø20 to ø32: Available by the 1 mm stroke interval. • ø40: Available by the 5 mm stroke interval.	
Model no.	Refer to "How to Order" for the standard model numbers.	
Applicable stroke (mm)	ø20, ø25	1 to 49
	ø32	1 to 74
	ø40	5 to 74
Example	Part no.: MGPM20-39Z A spacer 11 mm in width is installed in the MGPM20-50. C dimension is 87 mm.	



## Dimensions

### MGPM $\frac{20}{25}$ -50Z-□-X2532

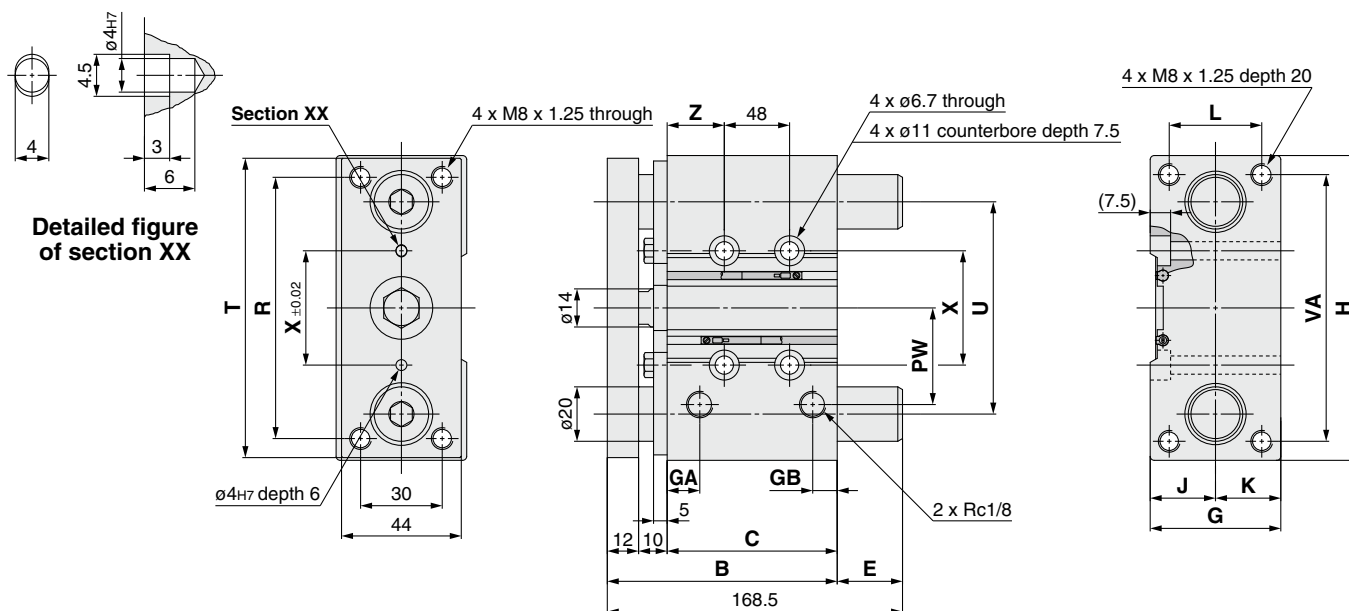


### Dimensions

Bore size	Standard stroke	B	C	DB	FA	FB	G	GB	H	J	K	L	MM	ML	NN	PW	Q	R	S	T	U	VA	X	XA	XB
20	50 (1 to 49)	103	87	12	8	8	36	9	83	18	18	24	M5 x 0.8	13	M5 x 0.8	25	18	70	30	81	54	72	28	3	3.5
25		103.5	87.5	16	9	7	42	10	93	21	21	30	M6 x 1.0	15	M6 x 1	30	26	78	38	91	64	82	34	4	4.5

\* The values in ( ) for standard stroke indicate the manufacturable intermediate strokes. The dimensions are the same as the table above (at 50 stroke).

### MGPM $\frac{32}{40}$ -75Z-□-X2532



### Dimensions

Bore size	Standard stroke	B	C	E	G	GA	GB	H	J	K	L	PW	R	T	U	VA	X	Z
32	75 (1 to 74)	134.5	112.5	34	48	12	9	112	24	24	34	35.5	96	110	78	98	42	21
40	75 (5 to 70)	141	119	27.5	54	15	12	120	27	27	40	39.5	104	118	86	106	50	22

\* The values in ( ) for standard stroke indicate the manufacturable intermediate strokes. The dimensions are the same as the table above (at 50 stroke).



**Caution** To ensure the safest possible operation of this product, please be sure to thoroughly read the "Safety Instructions" in our "Best Pneumatics" catalog before use.