

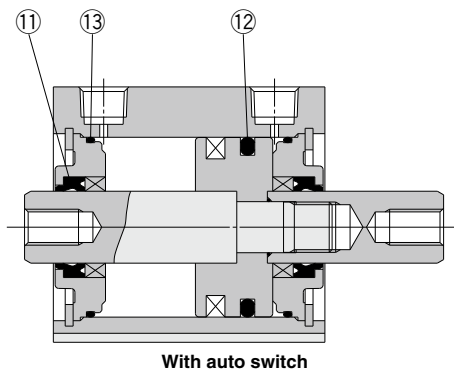
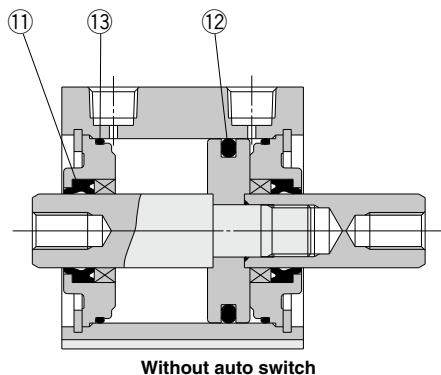
Compact Cylinder/Standard Type: Double Acting, Double Rod

CQ2W Series

ø12, ø16, ø20
 ø25, ø32, ø40
 ø50, ø63, ø80
 ø100

The
 Replacement
 Procedure is on
 p. 323

Construction



* The numbers correspond with those in the "Construction" of the CQ2 series in the Best Pneumatics catalog.

Seal Kit List

No.	Description	Material	Note
①	Rod seal	NBR	
②	Piston seal		
③	Tube gasket		

Replacement Parts: Seal Kit

Bore size (mm)	Part no.	Contents
Pneumatic type		
12	CQ2WB12-PS	Set of nos. ①, ②, ③
16	CQ2WB16-PS	
20	CQ2WB20-PS	
25	CQ2WB25-PS	
32	CQ2WB32-PS	
40	CQ2WB40-PS	
50	CQ2WB50-PS	
63	CQ2WB63-PS	
80	CQ2WB80-PS	
100	CQ2WB100-PS	
Air-hydro type		
20	CQ2WBH20-PS	Set of nos. ①, ②, ③
25	CQ2WBH25-PS	
32	CQ2WBH32-PS	
40	CQ2WBH40-PS	
50	CQ2WBH50-PS	
63	CQ2WBH63-PS	
80	CQ2WBH80-PS	
100	CQ2WBH100-PS	

* The seal kit includes ①, ②, ③. Order the seal kit based on each bore size.

* Since the seal kit does not include a grease pack, it should be ordered separately.

Grease pack part no.: GR-S-010 (10 g)

Compact Cylinder/Large Bore Size: Double Acting, Double Rod

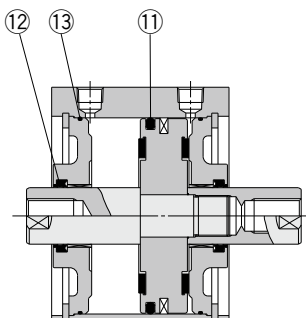
CQ2W Series

∅125, ∅140, ∅160
∅180, ∅200

The Replacement Procedure is on p. 323

Construction

Standard



* The numbers correspond with those in the "Construction" of the CQ2 series in the Best Pneumatics catalog.

Seal Kit List

No.	Description	Material	Note
①	Piston seal	NBR	
②	Rod seal		
③	Tube gasket		

Replacement Parts: Seal Kit

Bore size (mm)	Part no.	Contents
125	CQ2WB125-PS	Set of nos. ①, ②, ③
140	CQ2WB140-PS	
160	CQ2WB160-PS	
180	CQ2WB180-PS	
200	CQ2WB200-PS	

* The seal kit includes ①, ②, ③. Order the seal kit based on each bore size.

* Since the seal kit does not include a grease pack, it should be ordered separately.

Grease pack part no.: GR-S-010 (10 g)

Actuators

Modular F.R.L.
Pressure Control Equipment

Air Preparation
Equipment

Industrial Filters

Replacement
Procedure

Actuators

Modular F.R.L.
Pressure Control Equipment

Industrial Filters