

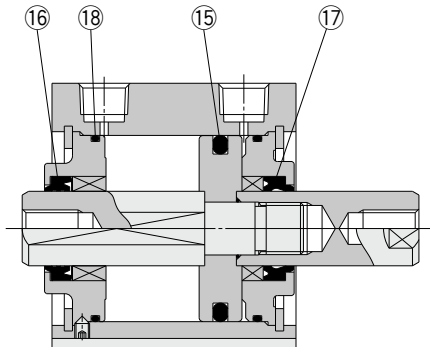
CQ2KW Series

ø12, ø16
ø20, ø25
ø32, ø40
ø50, ø63

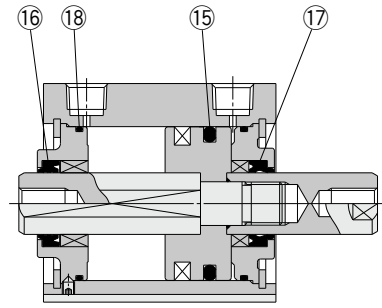


Construction

Standard (ø40 to ø63)



Without auto switch



With auto switch

* The numbers correspond with those in the "Construction" of the CQ2 series in the Best Pneumatics catalog.

Seal Kit List

No.	Description	Material	Note
15	Piston seal	NBR	
16	Rod seal for non-rotating		
17	Rod seal		
18	Gasket		

Replacement Parts: Seal Kit

Bore size (mm)	Part no.	Contents
12	CQ2KWB12-PS	Set of nos. 15, 16, 17, 18
16	CQ2KWB16-PS	
20	CQ2KWB20-PS	
25	CQ2KWB25-PS	
32	CQ2KWB32-PS	
40	CQ2KWB40-PS	
50	CQ2KWB50-PS	
63	CQ2KWB63-PS	

* The seal kit includes 15, 16, 17, 18. Order the seal kit based on each bore size.

* Since the seal kit does not include a grease pack, it should be ordered separately.

Grease pack part no.: GR-S-010 (10 g)