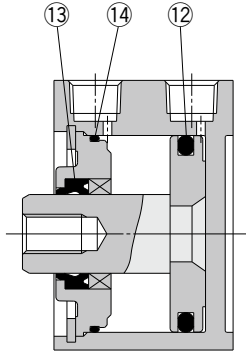


# CQ2/CQ2Y/CQ2X Series

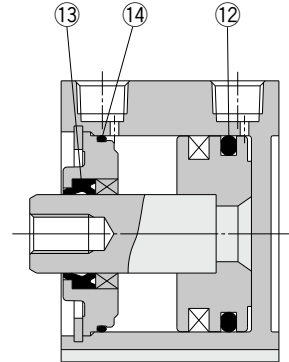
ø12, ø16, ø20  
ø25, ø32, ø40  
ø50, ø63  
ø80, ø100

The Replacement Procedure is on p. 323

## Construction



Without auto switch



With auto switch

\* The figures above show the construction of the CQ2 series.

The numbers correspond with those in the "Construction" of the CQ2 series in the Best Pneumatics catalog.

### Seal Kit List

| No. | Description | Material | Note |
|-----|-------------|----------|------|
| 12  | Piston seal | NBR      |      |
| 13  | Rod seal    |          |      |
| 14  | Gasket      |          |      |

### Replacement Parts: Seal Kit

| Bore size (mm) | Part no. | Contents |
|----------------|----------|----------|
|----------------|----------|----------|

#### Pneumatic type

|     |            |                        |
|-----|------------|------------------------|
| 12  | CQ2B12-PS  | Set of nos. 12, 13, 14 |
| 16  | CQ2B16-PS  |                        |
| 20  | CQ2B20-PS  |                        |
| 25  | CQ2B25-PS  |                        |
| 32  | CQ2B32-PS  |                        |
| 40  | CQ2B40-PS  |                        |
| 50  | CQ2B50-PS  |                        |
| 63  | CQ2B63-PS  |                        |
| 80  | CQ2B80-PS  |                        |
| 100 | CQ2B100-PS |                        |

#### Air-hydro type

|     |             |                        |
|-----|-------------|------------------------|
| 20  | CQ2BH20-PS  | Set of nos. 12, 13, 14 |
| 25  | CQ2BH25-PS  |                        |
| 32  | CQ2BH32-PS  |                        |
| 40  | CQ2BH40-PS  |                        |
| 50  | CQ2BH50-PS  |                        |
| 63  | CQ2BH63-PS  |                        |
| 80  | CQ2BH80-PS  |                        |
| 100 | CQ2BH100-PS |                        |

\* The seal kit includes 12, 13, and 14. Order the seal kit based on each bore size.

\* Since the seal kit does not include a grease pack, it should be ordered separately.

Grease pack part no.: GR-S-010 (10 g)

### Replacement Parts: Seal Kit

| Bore size (mm)         | Part no.   | Contents   |
|------------------------|------------|--|
| <b>Smooth cylinder</b> |            |  |
| 32                     | CQ2Y32-PS  | Set of nos. 12, 13, 14, and a grease pack (10 g) |
| 40                     | CQ2Y40-PS  |  |
| 50                     | CQ2Y50-PS  |  |
| 63                     | CQ2Y63-PS  |  |
| 80                     | CQ2Y80-PS  |  |
| 100                    | CQ2Y100-PS |  |

#### Low speed cylinder

|     |            |  |
|-----|------------|--|
| 32  | CQ2X32-PS  | Set of nos. 12, 13, 14, and a grease pack (10 g) |
| 40  | CQ2X40-PS  |  |
| 50  | CQ2X50-PS  |  |
| 63  | CQ2X63-PS  |  |
| 80  | CQ2X80-PS  |  |
| 100 | CQ2X100-PS |  |

\* The seal kit includes 12, 13, and 14. Order the seal kit based on each bore size.

\* The seal kit for smooth/low speed cylinders includes a grease pack (10 g).

Order with one of the following part numbers when only the maintenance grease is required.

Grease pack part no.: GR-L-005 (5 g)  
GR-L-010 (10 g)  
GR-L-150 (150 g)

Actuators

Modular F.R.L.  
Pressure Control Equipment

Air Preparation  
Equipment

Industrial Filters

Replacement  
Procedure

Actuators

Modular F.R.L.  
Pressure Control Equipment

Industrial Filters

# Compact Cylinder/Standard Type: Single Acting, Single Rod

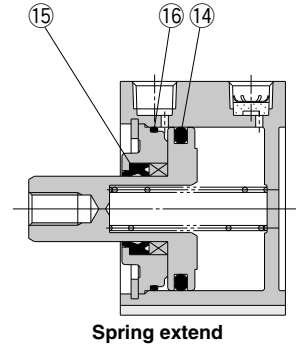
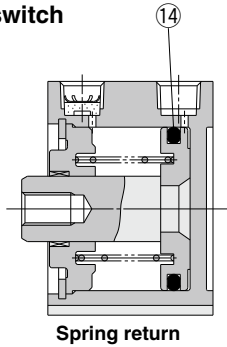
# CQ2 Series

ø12, ø16, ø20, ø25  
ø32, ø40, ø50

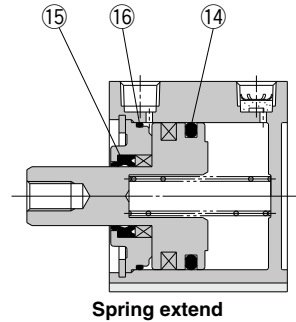
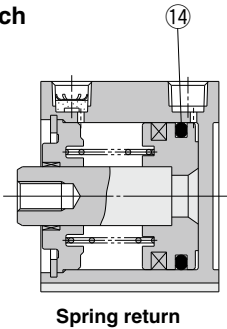
The Replacement Procedure is on p. 323

## Construction

### Without auto switch



### With auto switch



\* The numbers correspond with those in the "Construction" of the CQ2 series in the Best Pneumatics catalog.

### Seal Kit List

| No. | Description | Material | Note |
|-----|-------------|----------|------|
| 14  | Piston seal | NBR      |      |
| 15  | Rod seal    |          |      |
| 16  | Gasket      |          |      |

### Replacement Parts: Seal Kit

| Bore size (mm)                      | Part no.    | Contents               |
|-------------------------------------|-------------|------------------------|
| <b>Single acting, spring return</b> |             |                        |
| 12                                  | CQ2B12-S-PS | No. 14                 |
| 16                                  | CQ2B16-S-PS |                        |
| 20                                  | CQ2B20-S-PS |                        |
| 25                                  | CQ2B25-S-PS |                        |
| 32                                  | CQ2B32-S-PS |                        |
| 40                                  | CQ2B40-S-PS |                        |
| 50                                  | CQ2B50-S-PS |                        |
| <b>Single acting, spring extend</b> |             |                        |
| 12                                  | CQ2B12-T-PS | Set of nos. 14, 15, 16 |
| 16                                  | CQ2B16-T-PS |                        |
| 20                                  | CQ2B20-T-PS |                        |
| 25                                  | CQ2B25-T-PS |                        |
| 32                                  | CQ2B32-T-PS |                        |
| 40                                  | CQ2B40-T-PS |                        |
| 50                                  | CQ2B50-T-PS |                        |

\* The seal kit includes 14, 15, 16. Order the seal kit based on each bore size.

\* Since the seal kit does not include a grease pack, it should be ordered separately.

Grease pack part no.: GR-S-010 (10 g)

Actuators

Modular F.R.L.  
Pressure Control Equipment

Air Preparation  
Equipment

Industrial Filters

Replacement  
Procedure

Actuators

Modular F.R.L.  
Pressure Control Equipment

Industrial Filters

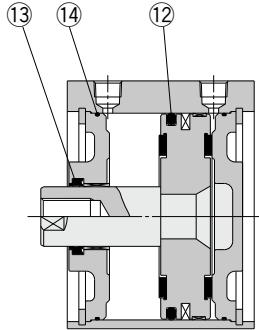
# CQ2 Series

∅125, ∅140, ∅160  
∅180, ∅200



## Construction

### Standard



\* The numbers correspond with those in the "Construction" of the CQ2 series in the Best Pneumatics catalog.

### Seal Kit List

| No. | Description | Material | Note |
|-----|-------------|----------|------|
| 12  | Piston seal | NBR      |      |
| 13  | Rod seal    |          |      |
| 14  | Tube gasket |          |      |

### Replacement Parts: Seal Kit

| Bore size (mm) | Part no.   | Contents                  |
|----------------|------------|---------------------------|
| 125            | CQ2B125-PS | Set of nos.<br>12, 13, 14 |
| 140            | CQ2B140-PS |                           |
| 160            | CQ2B160-PS |                           |
| 180            | CQ2B180-PS |                           |
| 200            | CQ2B200-PS |                           |

\* The seal kit includes 12, 13, 14. Order the seal kit based on each bore size.

\* Since the seal kit does not include a grease pack, it should be ordered separately.

**Grease pack part no.:** GR-S-010 (10 g)

### Retaining Ring Installation/Removal

## ⚠ Caution

- For installation and removal, use an appropriate pair of pliers (tool for installing a C retaining ring).
- Even if a proper plier (tool for installing a C retaining ring) is used, it is likely to inflict damage to a human body or peripheral equipment, as a retaining ring may be flown out of the tip of a plier (tool for installing a C retaining ring). Be much careful with the popping of a retaining ring. Besides, be certain that a retaining ring is placed firmly into the groove of rod cover before supplying air at the time of installment.

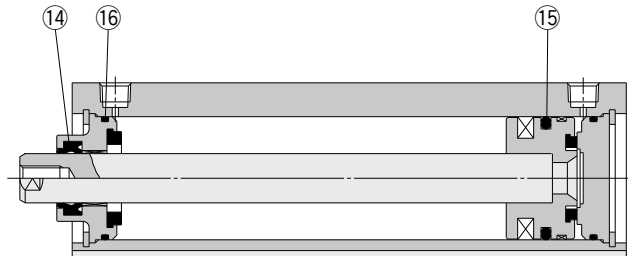
# CQ2 Series

ø32, ø40, ø50  
ø63, ø80, ø100



## Construction

### Standard



\* The numbers correspond with those in the "Construction" of the CQ2 series in the Best Pneumatics catalog.

### Seal Kit List

| No. | Description | Material | Note |
|-----|-------------|----------|------|
| 14  | Rod seal    | NBR      |      |
| 15  | Piston seal |          |      |
| 16  | Tube gasket |          |      |

### Replacement Parts: Seal Kit

| Bore size (mm) | Part no.     | Contents                  |
|----------------|--------------|---------------------------|
| 32             | CQ2A32-L-PS  | Set of nos.<br>14, 15, 16 |
| 40             | CQ2A40-L-PS  |                           |
| 50             | CQ2A50-L-PS  |                           |
| 63             | CQ2A63-L-PS  |                           |
| 80             | CQ2A80-L-PS  |                           |
| 100            | CQ2A100-L-PS |                           |

\* The seal kit includes 14, 15, 16. Order the seal kit based on each bore size.

\* Since the seal kit does not include a grease pack, it should be ordered separately.

**Grease pack part no.:** GR-S-010 (10 g)

### Retaining Ring Installation/Removal

#### ⚠ Caution

1. For installation and removal, use an appropriate pair of pliers (tool for installing a C retaining ring).
2. Even if a proper plier (tool for installing a C retaining ring) is used, it is likely to inflict damage to a human body or peripheral equipment, as a retaining ring may be flown out of the tip of a plier (tool for installing a C retaining ring). Be much careful with the popping of a retaining ring. Besides, be certain that a retaining ring is placed firmly into the groove of rod cover before supplying air at the time of installment.

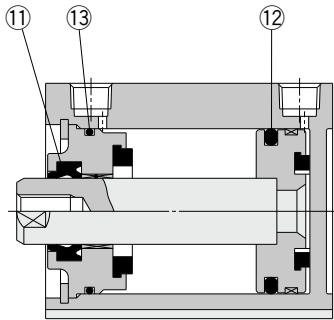
# CQ2 Series

ø32, ø40, ø50  
ø63, ø80, ø100

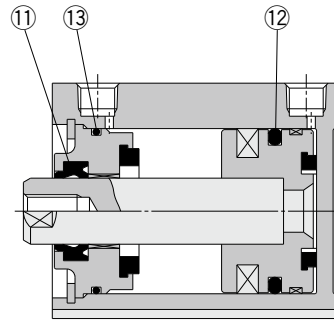


## Construction

### Standard



Without auto switch



With auto switch

\* The numbers correspond with those in the "Construction" of the CQ2 series in the Best Pneumatics catalog.

### Seal Kit List

| No. | Description | Material | Note |
|-----|-------------|----------|------|
| ①   | Rod seal    | NBR      |      |
| ②   | Piston seal |          |      |
| ③   | Tube gasket |          |      |

### Replacement Parts: Seal Kit

| Bore size (mm) | Part no.   | Contents               |
|----------------|------------|------------------------|
| 32             | CQ2B32-PS  | Set of nos.<br>①, ②, ③ |
| 40             | CQ2B40-PS  |                        |
| 50             | CQ2B50-PS  |                        |
| 63             | CQ2B63-PS  |                        |
| 80             | CQ2B80-PS  |                        |
| 100            | CQ2B100-PS |                        |

\* The seal kit includes ①, ②, ③. Order the seal kit based on each bore size.

\* Since the seal kit does not include a grease pack, it should be ordered separately.

**Grease pack part no.: GR-S-010 (10 g)**

Actuators

Modular F.R.L.  
Pressure Control Equipment

Air Preparation  
Equipment

Industrial Filters

Replacement  
Procedure

Actuators

Modular F.R.L.  
Pressure Control Equipment

Industrial Filters

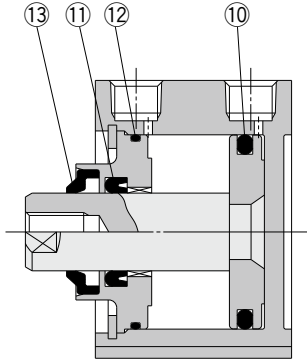
# CQ2 Series

ø20, ø25, ø32, ø40  
ø50, ø63, ø80, ø100

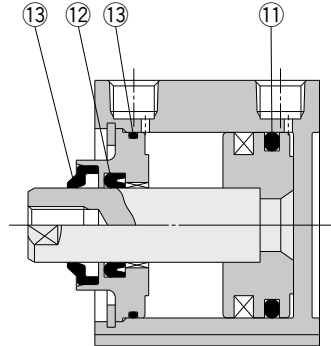
The Replacement Procedure is on p. 323

## Construction

### Standard (ø40 to ø100)



Without Auto Switch



With Auto Switch

\* The numbers correspond with those in the "Construction" of the CQ2 series in the Best Pneumatics catalog.

### Seal Kit List

| No. | Description | Material | Note   |
|-----|-------------|----------|--|
| ⑩   | Piston seal | R: NBR   | 13 is a non-replaceable part, so it is not included in the seal kit. |
|     |             | V: FKM   |  |
| ⑪   | Rod seal    | R: NBR   |  |
|     |             | V: FKM   |  |
| ⑫   | Tube gasket | R: NBR   |  |
|     |             | V: FKM   |  |
| 13  | Rod scraper | R: NBR   |  |
|     |             | V: FKM   |  |

\* R: NBR seal (Nitrile rubber)  
V: FKM seal (Fluororubber)

### Replacement Parts: Seal Kit

| Bore size (mm) | Part no.    |             | Contents            |
|----------------|-------------|-------------|---------------------|
|                | R: NBR      | V: FKM      |                     |
| 20             | CQ2B20R-PS  | CQ2B20V-PS  | Set of nos. ⑩, ⑪, ⑫ |
| 25             | CQ2B25R-PS  | CQ2B25V-PS  |                     |
| 32             | CQ2B32R-PS  | CQ2B32V-PS  |                     |
| 40             | CQ2B40R-PS  | CQ2B40V-PS  |                     |
| 50             | CQ2B50R-PS  | CQ2B50V-PS  |                     |
| 63             | CQ2B63R-PS  | CQ2B63V-PS  |                     |
| 80             | CQ2B80R-PS  | CQ2B80V-PS  |                     |
| 100            | CQ2B100R-PS | CQ2B100V-PS |                     |

\* The seal kit includes ⑩, ⑪, ⑫. Order the seal kit based on each bore size.

\* Since the seal kit does not include a grease pack, it should be ordered separately.

**Grease pack part no.: GR-S-010 (10 g)**

Actuators

Modular F.R.L.  
Pressure Control Equipment

Air Preparation Equipment

Industrial Filters

Replacement Procedure

Actuators

Modular F.R.L.  
Pressure Control Equipment

Industrial Filters