

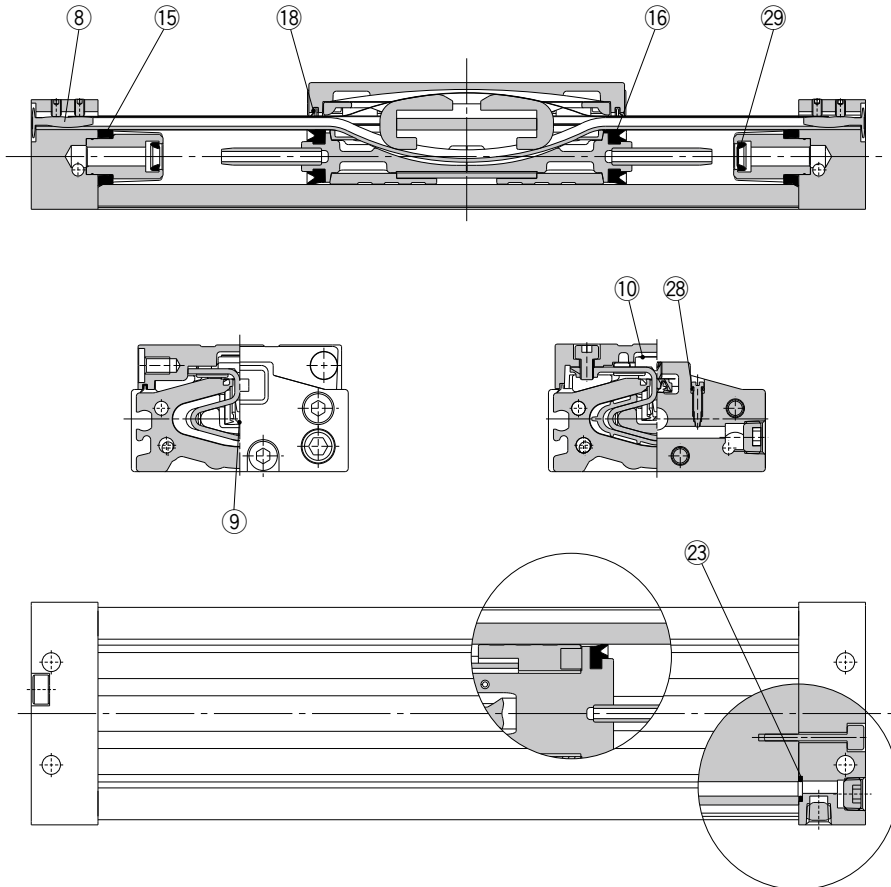
MY3B Series

ø16, ø25, ø40, ø63



Construction

The seal belt has been changed since June 2015 (Lot no. TT). When replacing the seal belt of a cylinder that was purchased before the change, order the belt clamp shown in the table below only for ø40 size. Lot number checking method → p. 564



* The numbers correspond with those in the "Construction" of the MY3 series in the Best Pneumatics catalog.

Replacement Parts: Seal Kit (8, 9, 10, 18, and 28 are not included in the seal kit. Order them as required with the individual part numbers provided.)

No.	Description	Material	Qty.	MY3B16	MY3B25	MY3B40	MY3B63
8	Belt clamp	Polybutylene terephthalate	1	—	—	MYA40-31-R6658B	—
9	Seal belt	Urethane Polyamide	1	MY3B16-16C-[Stroke]	MY3B25-16C-[Stroke]	MY3B40-16C-[Stroke]	MY3B63-16A-[Stroke]
10	Dust seal band	Stainless steel	1	MY3B16-16B-[Stroke]	MY3B25-16B-[Stroke]	MY3B40-16B-[Stroke]	MY3B63-16B-[Stroke]
18	Scraper	Polyamide	1	MYA16-15-R6656	MYA25-15-R6657	MYA40-15-R6658	MYA63-15-R6659
28	O-ring	NBR	2	KA00309 (ø4 x ø1.8 x ø1.1)	KA00309 (ø4 x ø1.8 x ø1.1)	KA00320 (ø7.15 x ø3.75 x ø1.7)	KA00402 (ø8.3 x ø4.5 x ø1.9)
15	Tube gasket	NBR	2	MY3B16-PS	MY3B25-PS	MY3B40-PS	MY3B63-PS
16	Piston seal	NBR	2				
23	O-ring	NBR	4				
29	Cushion seal	NBR	2				

* When ⑨ and ⑩ are shipped as single units, a grease pack is included (10 g per 1000 strokes).

Order with one of the following part numbers when only the grease pack is required.

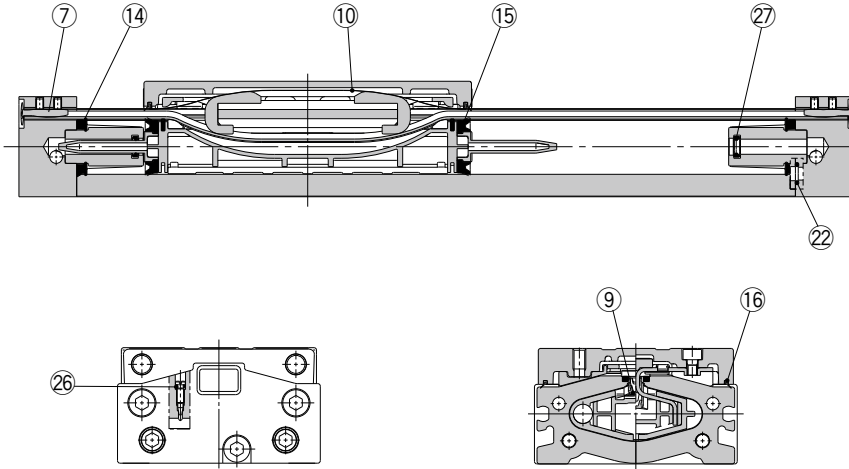
Grease pack part no.: GR-S-010 (10 g), GR-S-020 (20 g)

MY3B Series $\varnothing 20, \varnothing 32, \varnothing 50$

The Replacement Procedure is on p. 345

Construction

The seal belt has been changed since June 2015 (Lot no. TT). When replacing the seal belt of a cylinder that was purchased before the change, order the belt clamp shown in the table below only for $\varnothing 50$ size. Lot number checking method → p. 564



* The numbers correspond with those in the "Construction" of the MY3 series in the Best Pneumatics catalog.

Replacement Parts: Seal Kit (7, 9, 10, 16, and 26 are not included in the seal kit. Order them as required with the individual part numbers provided.)

No.	Description	Material	Qty.	MY3B20	MY3B32	MY3B50
7	Belt clamp	Polybutylene terephthalate	1	—	—	MYA40-31-R6658B
9	Seal belt	Urethane	1	MY3B20-16C- <u>Stroke</u>	MY3B32-16C- <u>Stroke</u>	MY3B50-16C- <u>Stroke</u>
10	Dust seal band	Stainless steel	1	MY3B20-16B- <u>Stroke</u>	MY3B32-16B- <u>Stroke</u>	MY3B50-16B- <u>Stroke</u>
16	Scraper	Polyamide	1	MYA20-15-AC594	MYA32-15-AC595	MYA50-15-AC596
26	O-ring	NBR	2	KA00309 ($\varnothing 4 \times \varnothing 1.8 \times \varnothing 1.1$)	KA00309 ($\varnothing 4 \times \varnothing 1.8 \times \varnothing 1.1$)	KA00320 ($\varnothing 7.15 \times \varnothing 3.75 \times \varnothing 1.7$)
14	Tube gasket	NBR	2	MY3B20-PS	MY3B32-PS	MY3B50-PS
15	Piston seal	NBR	2			
22	O-ring	NBR	4			
27	Cushion seal	NBR	2			

* When ⑨ and ⑩ are shipped as single units, a grease pack is included (10 g per 1000 strokes).
 Order with one of the following part numbers when only the grease pack is required.
 Grease pack part no.: GR-S-010 (10 g), GR-S-020 (20 g)

Actuators

Modular F.R.L.
Pressure Control Equipment

Air Preparation
Equipment

Industrial Filters

Replacement
Procedure

Actuators

Modular F.R.L.
Pressure Control Equipment

Industrial Filters