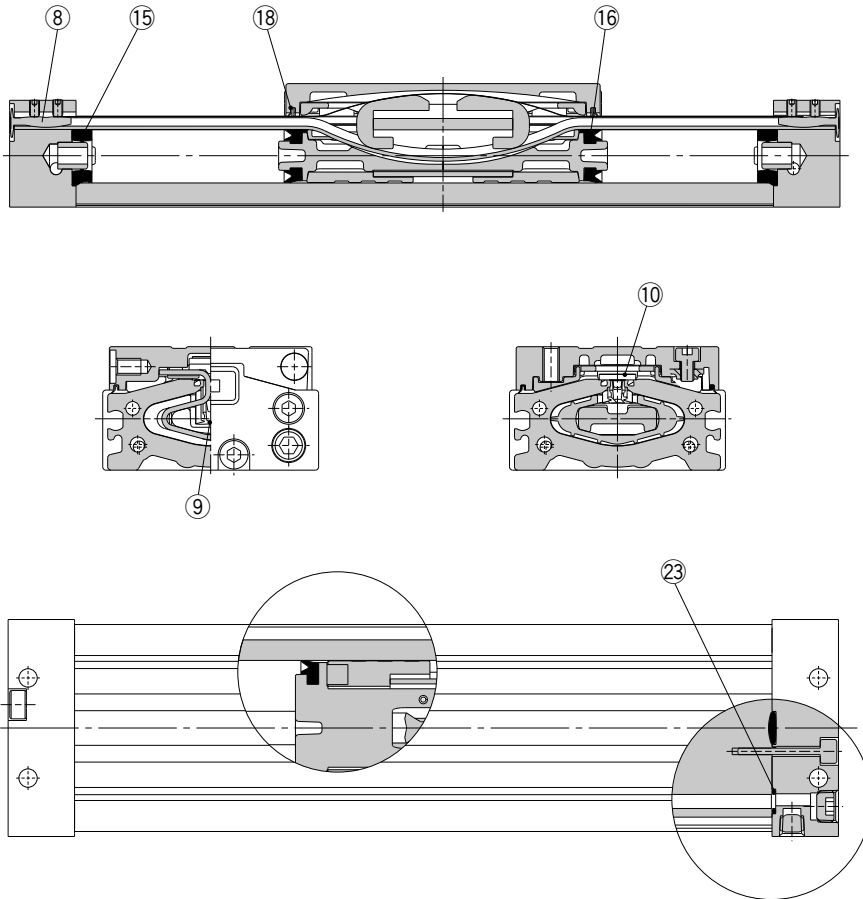


# MY3A Series ø16, ø25, ø40, ø63



## Construction

The seal belt has been changed since June 2015 (Lot no. TT). When replacing the seal belt of a cylinder that was purchased before the change, order the belt clamp shown in the table below only for ø40 size. Lot number checking method → p. 564



\* The numbers correspond with those in the "Construction" of the MY3 series in the Best Pneumatics catalog.

### Replacement Parts: Seal Kit (8, 9, 10, and 18 are not included in the seal kit. Order them as required with the individual part numbers provided.)

No.	Description	Material	Qty.	MY3A16	MY3A25	MY3A40	MY3A63
8	Belt clamp	Polybutylene terephthalate	1	—	—	MYA40-31-R6658B	—
9	Seal belt	Urethane Polyamide	1	MY3A16-16C-Stroke	MY3A25-16C-Stroke	MY3A40-16C-Stroke	MY3A63-16A-Stroke
10	Dust seal band	Stainless steel	1	MY3A16-16B-Stroke	MY3A25-16B-Stroke	MY3A40-16B-Stroke	MY3A63-16B-Stroke
18	Scraper	Polyamide	1	MYA16-15-R6656	MYA25-15-R6657	MYA40-15-R6658	MYA63-15-R6659
15	Gasket bumper	NBR	2	MY3A16-PS	MY3A25-PS	MY3A40-PS	MY3A63-PS
16	Piston seal	NBR	2				
23	O-ring	NBR	4				

\* When ⑨ and ⑩ are shipped as single units, a grease pack is included (10 g per 1000 strokes).

Order with one of the following part numbers when only the grease pack is required.

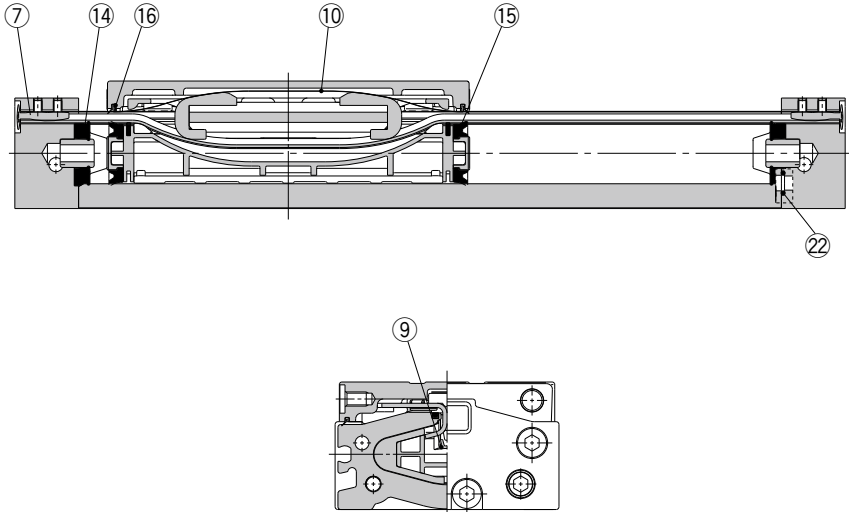
Grease pack part no.: GR-S-010 (10 g), GR-S-020 (20 g)

# MY3A Series $\varnothing 20, \varnothing 32, \varnothing 50$

The Replacement Procedure is on p. 345

## Construction

The seal belt has been changed since June 2015 (Lot no. TT). When replacing the seal belt of a cylinder that was purchased before the change, order the belt clamp shown in the table below only for  $\varnothing 50$  size. Lot number checking method → p. 564



\* The numbers correspond with those in the "Construction" of the MY3 series in the Best Pneumatics catalog.

### Replacement Parts: Seal Kit (7, 9, 10, and 16 are not included in the seal kit. Order them as required with the individual part numbers provided.)

No.	Description	Material	Qty.	MY3A20	MY3A32	MY3A50
7	Belt clamp	Polybutylene terephthalate	1	—	—	MYA40-31-R6658B
9	Seal belt	Urethane	1	MY3A20-16C-Stroke	MY3A32-16C-Stroke	MY3A50-16C-Stroke
10	Dust seal band	Stainless steel	1	MY3A20-16B-Stroke	MY3A32-16B-Stroke	MY3A50-16B-Stroke
16	Scraper	Polyamide	1	MYA20-15-AC594	MYA32-15-AC595	MYA50-15-AC596
14	Gasket bumper	NBR	2	MY3A20-PS	MY3A32-PS	MY3A50-PS
15	Piston seal	NBR	2			
22	O-ring	NBR	4			

\* When ⑨ and ⑩ are shipped as single units, a grease pack is included (10 g per 1000 strokes).

Order with one of the following part numbers when only the grease pack is required.

Grease pack part no.: GR-S-010 (10 g), GR-S-020 (20 g)

Actuators

Modular F.R.L.  
Pressure Control Equipment

Air Preparation  
Equipment

Industrial Filters

Replacement  
Procedure

Actuators

Modular F.R.L.  
Pressure Control Equipment

Industrial Filters