

Mechanically Jointed Rodless Cylinder/Cam Follower Guide Type

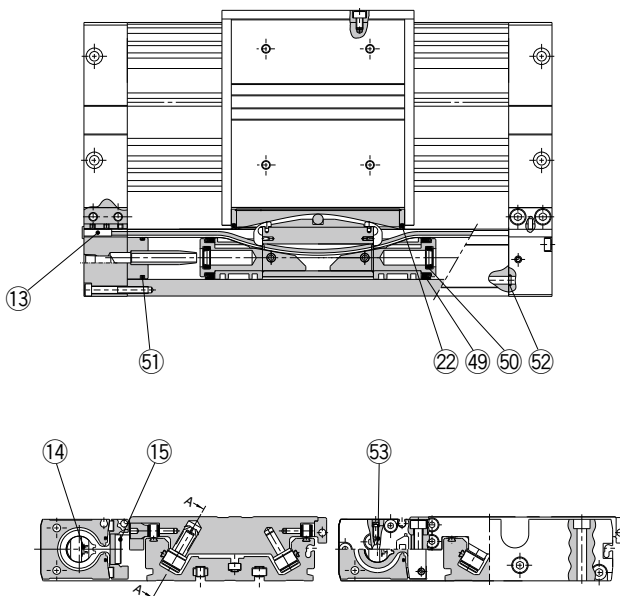
MY2C Series

ø16, ø25, ø40

The Replacement Procedure is on p. 344

Construction

The seal belt has been changed since October 2015 (Lot no. TX). When replacing the seal belt of a cylinder that was purchased before the change, order the belt clamp shown in the table below only for ø25 and ø40 sizes. Lot number checking method → p. 564



* The numbers correspond with those in the "Construction" of the MY2C series in the Best Pneumatics catalog.

Replacement Parts: Seal Kit

No.	Description	Qty.	MY2C16G	MY2C25G	MY2C40G	Note
13	Belt clamp	2	—	MYC25-31-29449B	MYC40-31-29451B	13, 14, 15, and 53 are not included in the seal kit. Order them as required with the individual part numbers provided.
14	Seal belt	1	MY16-16C-Stroke	MY25-16C-Stroke	MY40-16C-Stroke	
15	Dust seal band	1	MY2H16-16B-Stroke	MY2H25-16B-Stroke	MY2H40-16B-Stroke	
53	O-ring	2	KA00309 (ø4 x ø1.8 x ø1.1)	KA00309 (ø4 x ø1.8 x ø1.1)	KA00320 (ø7.15 x ø3.75 x ø1.7)	
22	Scraper	2				
49	Piston seal	2				
50	Cushion seal	2	MY2B16-PS	MY2B25-PS	MY2B40-PS	
51	Tube gasket	2				
52	O-ring	4				

* The seal kit includes 22, 49, 50, 51, and 52. Order the seal kit based on each bore size.

* The seal kit includes a grease pack (10 g).

When 14 and 15 are shipped as single units, a grease pack (10 g per 1000 strokes) is included.

Order with one of the following part numbers when only the grease pack is required.

Grease pack part no.: GR-S-010 (10 g), GR-S-020 (20 g)