

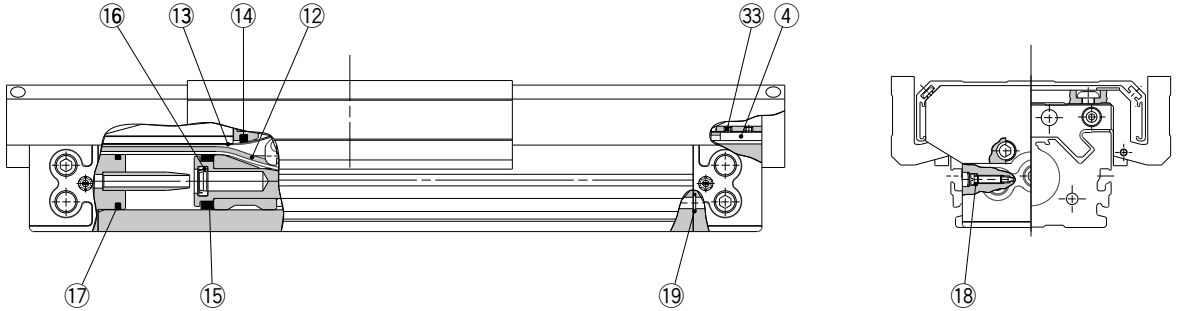
# MY1□W Series

ø16, ø20, ø25  
ø32, ø40, ø50  
ø63

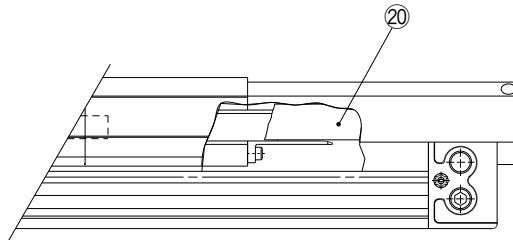
The Replacement Procedure is on p. 339

## Construction

The seal belt has been changed since October 2015 (Lot no. TX). When replacing the seal belt of a cylinder that was purchased before the change, order the belt clamp shown in the table below only for ø25, ø32, and ø40 sizes. Lot number checking method → p. 564



## With side seal



\* The numbers correspond with those in the "Construction" of the MY1□W series in the Best Pneumatics catalog.

### Replacement Parts: Seal Kit (4, 12, 13, 18, and 20 are not included in the seal kit. Order them as required with the individual part numbers provided.)

No.	Description	Qty.	ø16	ø20	ø25	ø32	ø40	ø50	ø63
4	Belt clamp	2	—	—	MYC25-31-29449B	MYC25-31-29449B	MYC40-31-29451B	—	—
12	Seal belt	1	MY16-16C-Stroke	MY20-16C-Stroke	MY25-16C-Stroke	MY32-16C-Stroke	MY40-16C-Stroke	MY50-16C-Stroke	MY63-16A-Stroke
13	Dust seal band (Note)	1	MY16-16B-Stroke	MY20-16B-Stroke	MY25-16B-Stroke	MY32-16B-Stroke	MY40-16B-Stroke	MY50-16B-Stroke	MY63-16B-Stroke
18	O-ring	2	KA00309 (ø4 x ø1.8 x ø1.1)	KA00311 (ø5.1 x ø3 x ø1.05)	KA00311 (ø5.1 x ø3 x ø1.05)	KA00320 (ø7.15 x ø3.75 x ø1.7)	KA00402 (ø8.3 x ø4.5 x ø1.9)	KA00777	KA00777
20	Side seal assembly	2	MYMK-16-Stroke	MYMK-20-Stroke	MYMK-25-Stroke	MYMK-32-Stroke	MYMK-40-Stroke	—	—
14	Scraper	2	—	—	—	—	—	—	—
15	Piston seal	2	—	—	—	—	—	—	—
16	Cushion seal	2	MY1M16-PS	MY1M20-PS	MY1M25-PS	MY1M32-PS	MY1M40-PS	MY1M50-PS	MY1M63-PS
17	Tube gasket	2	—	—	—	—	—	—	—
19	O-ring	4	—	—	—	—	—	—	—

Note) Two kinds of dust seal bands are available. Since the part number varies depending on the treatment of the hexagon socket head set screw 33, confirm before ordering (Refer to the Construction of MY1M.).

A Black zinc chromated → MY□□-16B-Stroke B Nickel plated → MY□□-16BW-Stroke

\* The seal kit includes 14, 15, 16, 17, and 19. Order the seal kit based on each bore size.

\* The seal kit includes a grease pack (10 g).

When 12 and 13 are shipped as single units, a grease pack (10 g per 1000 strokes) is included.

Order with one of the following part numbers when only the grease pack is required.

Grease pack part no.: GR-S-010 (10 g), GR-S-020 (20 g)

Actuators

Modular F.R.L.  
Pressure Control Equipment

Air Preparation  
Equipment

Industrial Filters

Replacement  
Procedure

Actuators

Modular F.R.L.  
Pressure Control Equipment

Industrial Filters