

# Mechanically Jointed Rodless Cylinder/Linear Guide Type

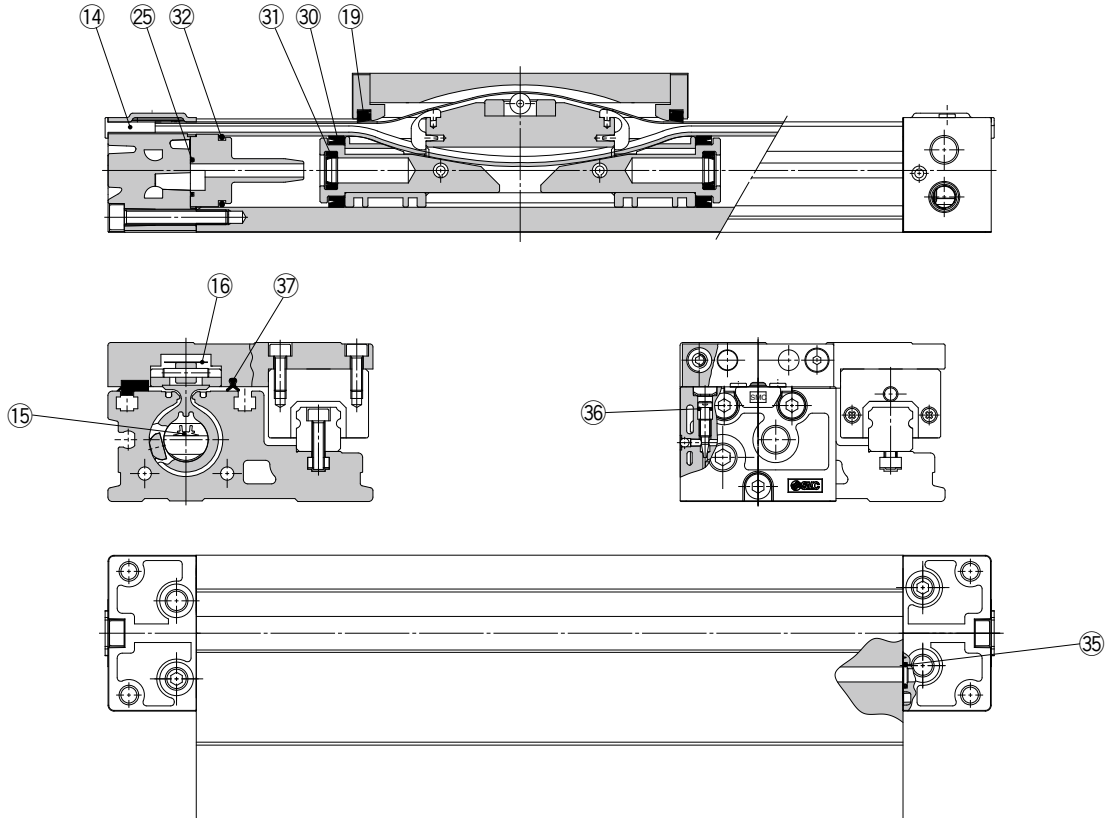
# MY1H-□Z Series ø25, ø32, ø40

## Construction

The products in this series are refreshed products. Check the following before ordering.

- Previous series (Discontinued product) MY1H → p. 126
- Checking whether the cylinder is a new or a previous model → p. 563, 564

The seal belt has been changed since October 2015 (Lot no. TX). When replacing the seal belt of a cylinder that was purchased before the change, order the belt clamp shown in the table below. Lot number checking method → p. 564



\* The numbers correspond with those in the "Construction" of the MY1H series in the Best Pneumatics catalog.

### Replacement Parts: Seal Kit (14, 15, 16, 25, 36, and 37 are not included in the seal kit. Order them as required with the individual part numbers provided.)

No.	Description	Material	Qty.	MY1H25	MY1H32	MY1H40
14	Belt clamp	Special resin	2	MYC25-31-29449B	MYC25-31-29449B	MYC40-31-29451B
15	Seal belt	Urethane	1	MY25-16C- <u>Stroke</u>	MY32-16C- <u>Stroke</u>	MY40-16C- <u>Stroke</u>
16	Dust seal band	Stainless steel	1	MY1B25-16B- <u>Stroke</u>	MY1B32-16B- <u>Stroke</u>	MY1B40-16B- <u>Stroke</u>
25	Cushion boss gasket	NBR	2	MYB25-16GA5900	MYB32-16GA5901	MYB40-16GA5902
36	O-ring	NBR	2	KA00311 (ø5.1 x ø3 x ø1.05)	KA00320 (ø7.15 x ø3.75 x ø1.7)	KA00320 ø7.15 x ø3.75 x ø1.7
37	Side scraper	Special resin	2	MYH25-15BK2902B	MYH32-15BK2903B	MYH40-15BK2904B
19	Scraper	NBR	2	MY1H25-PS	MY1H32-PS	MY1H40-PS
30	Piston seal	NBR	2			
31	Cushion seal	NBR	2			
32	Tube gasket	NBR	2			
35	O-ring	NBR	2			

\* The seal kit includes 19, 30, 31, 32, and 35. Order the seal kit based on each bore size.

\* The seal kit includes a grease pack (10 g).

When 15 and 16 are shipped independently, a grease pack is included. (10 g per 1000 strokes)

Order with one of the following part numbers when only the grease pack is required.

Grease pack part no.: GR-S-010 (10 g), GR-S-020 (20 g)

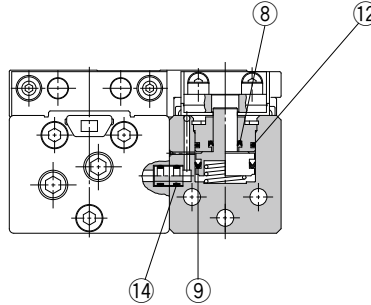
# MY1H-□Z Series ø25, ø32, ø40

## Construction

With end lock: ø25 to ø40

The products in this series are refreshed products. Check the following before ordering.

- Previous series (Discontinued product) MY1H → p. 127
- Checking whether the cylinder is a new or a previous model → p. 563, 564



\* The numbers correspond with those in the "Construction" of the MY1H series in the Best Pneumatics catalog.

### Replacement Parts: Seal Kit

No.	Description	Material	Qty.	MY1H25	MY1H32	MY1H40
8	Rod seal	NBR	1	KB00267	KB00267	KB00267
9	Piston seal	NBR	1	KB00217	KB00217	KB00217
12	O-ring	NBR	1	KA00037	KA00037	KA00037
14	O-ring	NBR	2	KA00048	KA00048	KA00048

\* Since the seal kit does not include a grease pack, it should be ordered separately.

**Grease pack part no.: GR-S-010** (10 g)

\* Replacement parts other than those shown above are the same as those for the standard type. Refer to page 119.

Actuators

Modular F.R.L.  
Pressure Control Equipment

Air Preparation  
Equipment

Industrial Filters

Replacement  
Procedure

Actuators

Modular F.R.L.  
Pressure Control Equipment

Industrial Filters