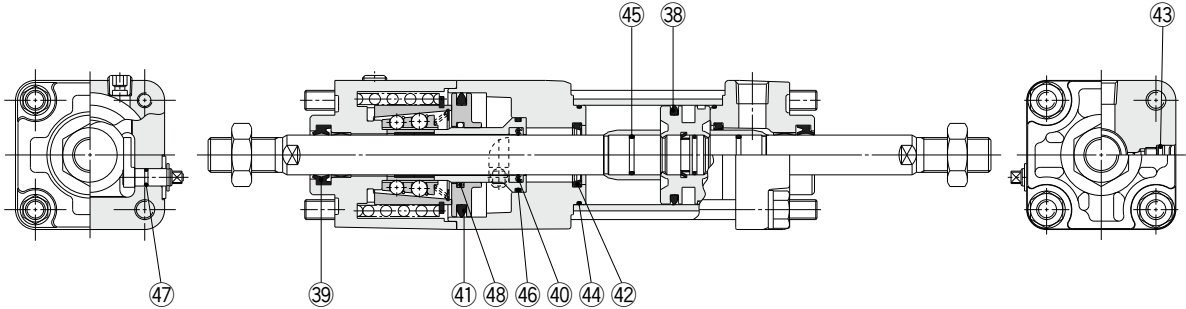


# CNA2W Series

ø40, ø50  
ø63, ø80  
ø100



## Construction



\* The numbers correspond with those in the "Construction" of the CNA2 series in the Best Pneumatics catalog.

### Seal Kit List

No.	Description	Material	Note
38	Piston seal	NBR	40, 41, 43 and 45 to 48 are non-replaceable parts, so they are not included in the seal kit.
39	Rod seal A	NBR	
40	Rod seal B	NBR	
41	Release piston seal	NBR	
42	Cushion seal	Urethane	
43	Cushion valve seal	NBR	
44	Tube gasket	NBR	
45	Piston gasket	NBR	
46	Piston guide gasket	NBR	
47	Unlocking cam gasket	NBR	
48	O-ring	NBR	

### Replacement Parts: Seal Kit

Bore size (mm)	Part no.	Contents
40	MBW40-PS	Set of nos. 38, 39, 42, 44
50	MBW50-PS	
63	MBW63-PS	
80	MBW80-PS	
100	MBW100-PS	

\* Since the lock of the CNA2 series cannot be disassembled and is normally replaced as a unit, kits are for the cylinder section only. These can be ordered using the order number for each bore size.

\* The seal kit includes a grease pack (ø40 and ø50: 10 g, ø63 and ø80: 20 g, ø100: 30 g).

Order with one of the following part numbers when only the grease pack is required.

**Grease pack part no.:** GR-S-010 (10 g), GR-S-020 (20 g)

\* As for the center trunnion type, it is very difficult to adjust the position of the trunnion bracket and the center of the axis. Therefore repair at SMC is recommended.