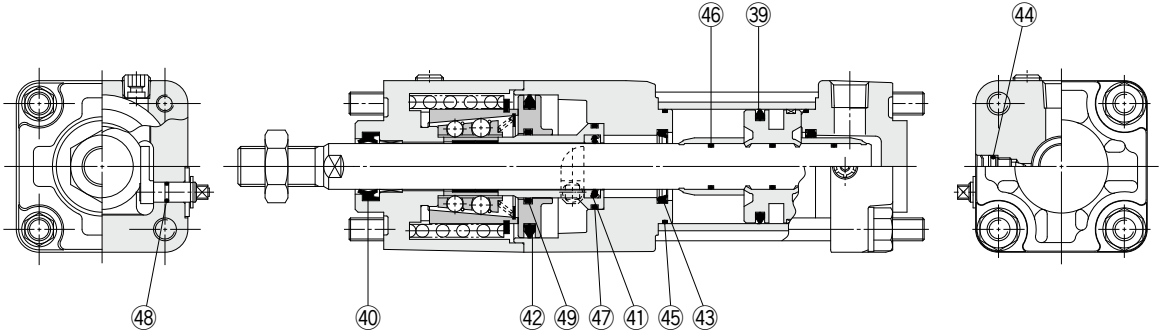


CNA2 Series

ø40, ø50, ø63
ø80, ø100

The Replacement Procedure is on p. 384

Construction



* The numbers correspond with those in the "Construction" of the CNA2 series in the Best Pneumatics catalog.

Seal Kit List

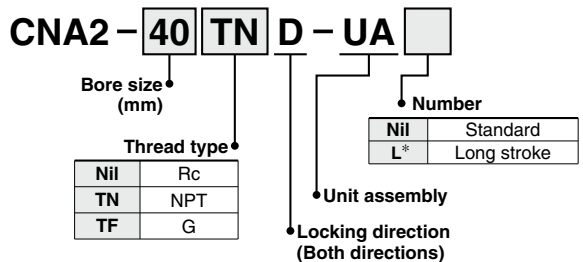
No.	Description	Material	Note
39	Piston seal	NBR	41, 42, 44 and 46 to 49 are non-replaceable parts, so they are not included in the seal kit.
40	Rod seal A	NBR	
41	Rod seal B	NBR	
42	Release piston seal	NBR	
43	Cushion seal	Urethane	
44	Cushion valve seal	NBR	
45	Tube gasket	NBR	
46	Piston gasket	NBR	
47	Piston guide gasket	NBR	
48	Unlocking cam gasket	NBR	
49	O-ring	NBR	

Replacement Parts: Seal Kit

Bore size (mm)	Part no.	Contents
40	MB1-40Z-PS	Set of nos. 39, 40, 43, 45
50	MB1-50Z-PS	
63	MB1-63Z-PS	
80	MB1-80Z-PS	
100	MB1-100Z-PS	

- * Since the lock of the CNA2 series cannot be disassembled and is normally replaced as a unit, kits are for the cylinder section only. These can be ordered using the order number for each bore size.
- * The seal kit includes a grease pack (ø40 and ø50: 10 g, ø63 and ø80: 20 g, ø100: 30 g). Order with one of the following part numbers when only the grease pack is required.
Grease pack part no.: GR-S-010 (10 g), GR-S-020 (20 g)
- * As for the center trunnion type, it is very difficult to adjust the position of the trunnion bracket and the center of the axis. Therefore repair at SMC is recommended.

Replacement Parts: Lock Unit



* The lock unit for a long-stroke cylinder is only applicable for flange type with bore size ø50 to ø100 and stroke 1001 or more. (Example: CNA2-100D-UAL)

Actuators

Modular F.R.L.
Pressure Control Equipment

Air Preparation Equipment

Industrial Filters

Replacement Procedure

Actuators

Modular F.R.L.
Pressure Control Equipment

Industrial Filters