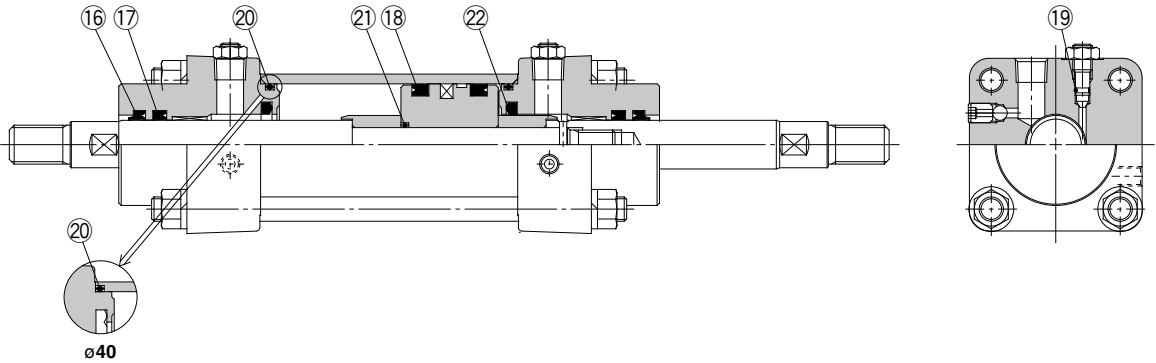


CHAW Series

ø40, ø50, ø63, ø80
ø100, ø125, ø160

Construction



* The numbers correspond with those in the "Construction" of the CHAW series in the Best Pneumatics catalog.

Seal Kit List

No.	Description	Material	Note
16	Wiper ring	NBR	21 is a non-replaceable part, so it is not included in the seal kit.
17	Rod seal	NBR	
18	Piston seal	NBR	
19	Needle valve seal	NBR	
20	Cylinder tube gasket	NBR	
21	Piston gasket	NBR	
22	Cushion seal	—	

Replacement Parts: Seal Kit

Bore size (mm)	Part no.	Content
40	CHAW40-PS	Set of nos. 16, 17, 18, 19, 20, 22
50	CHAW50-PS	
63	CHAW63-PS	
80	CHAW80-PS	
100	CHAW100-PS	
125	CHAW125-PS	
160	CHAW160-PS	

* The seal kit consists of items of 16 through 20 and 22 and can be ordered by using the seal kit number for each bore size.

Tie-rod Nut Tightening Torque

Bore size (mm)	Tightening torque (N·m)
40	10.8 ± 1.1
50	24.5 ± 2.4
63	24.5 ± 2.4
80	38.2 ± 3.8
100	38.2 ± 3.8
125	68.6 ± 6.8
160	107.8 ± 10.7

* Gradually tighten the tie-rod nuts equally from opposing corners so that the tightening torques become the same as those listed above.